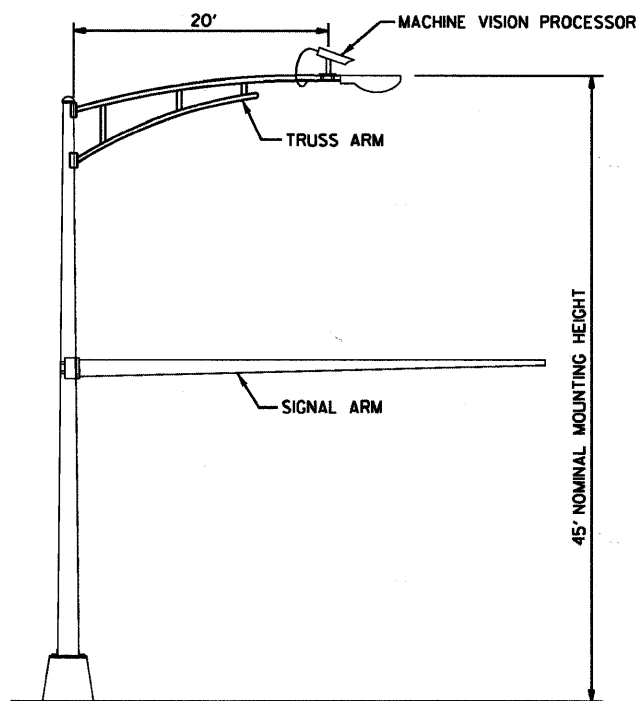


TYPICAL VIDEO VEHICLE DETECTION SYSTEM

(NOT TO SCALE)

(4) MACHINE VISION PROCESSOR ASSEMBLIES AND BRACKETS ① ② ③ ④
POWER CABLE TO EACH MACHINE VISION PROCESSOR (24 VAC)



COMBINATION MAST ARM ASSEMBLY AND POLE DIMENSIONS

(NOT TO SCALE)

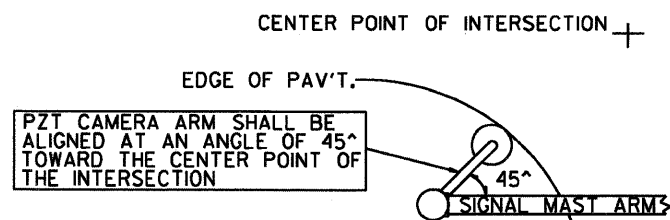
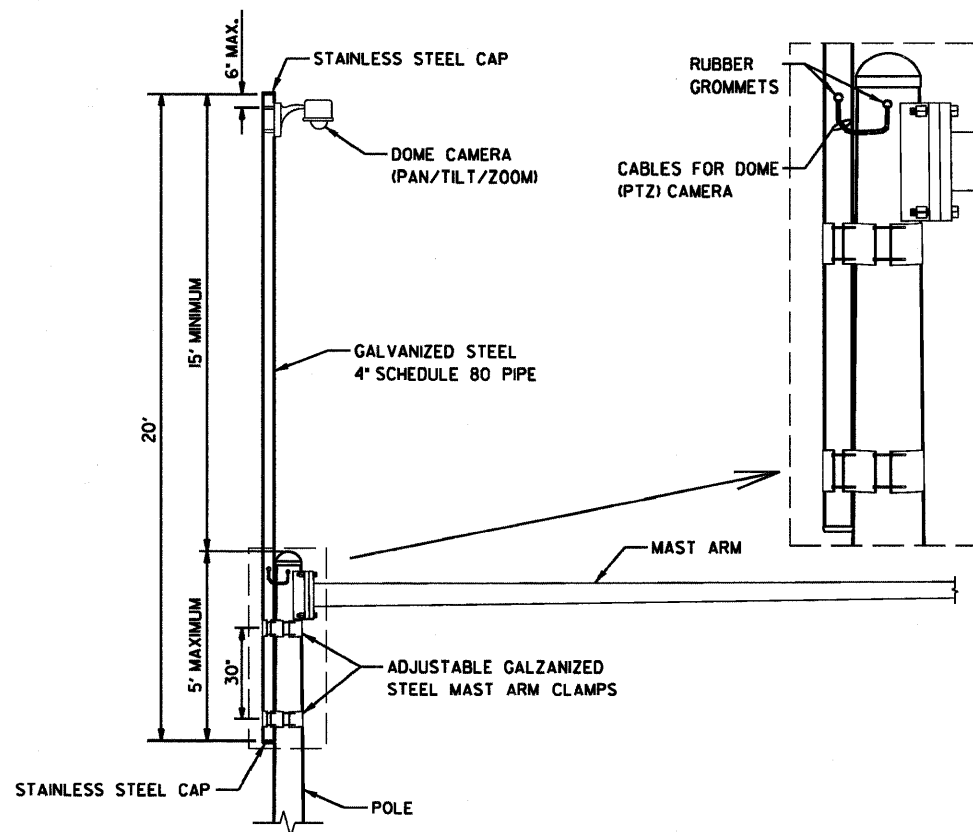


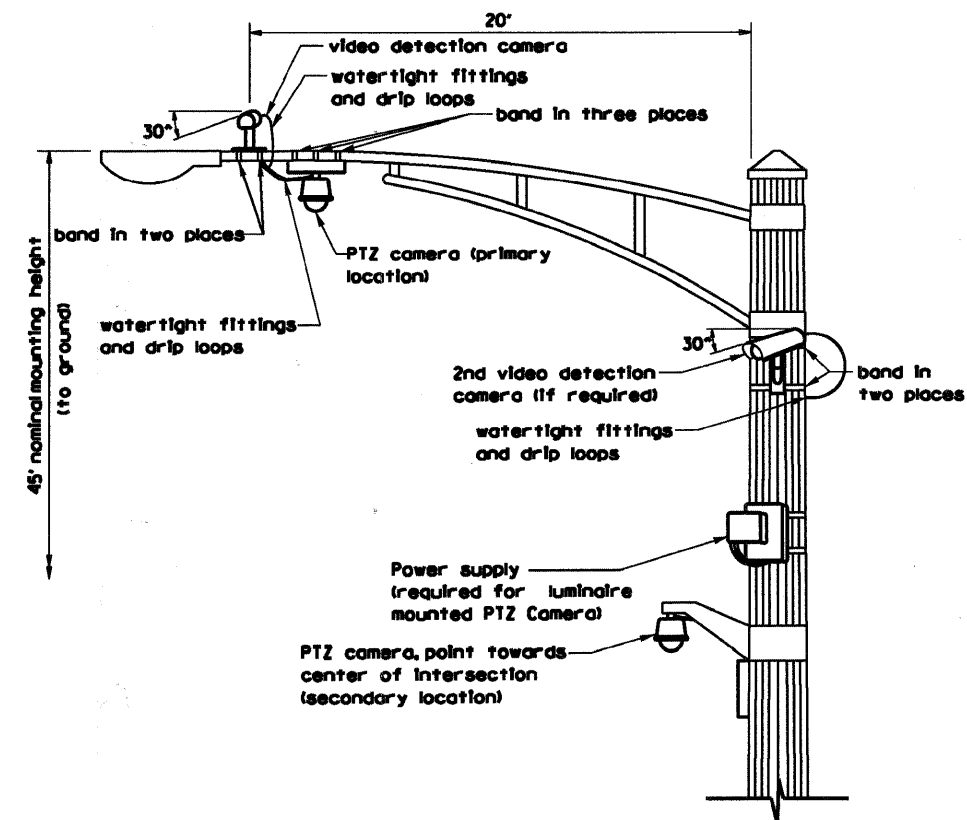
IMAGE SENSOR MOUNTING DETAILS

(NO SCALE)



CAMERA MOUNTING ASSEMBLY DETAIL

(NOT TO SCALE)



VIDEO DETECTION CAMERA(S) AND DOME (PTZ) CAMERA MOUNTING DETAIL

(NOT TO SCALE)

- NOTES FOR SINGLE, DUAL AND MULTIPLE MVP MOUNTING:
- MOUNT LUMINAIRE MOUNTING BRACKET AS HIGH AS POSSIBLE.
 - AIM BRACKET TOWARD DIRECTION OF TRAFFIC TO BE DETECTED.
 - MOUNT MACHINE VISION PROCESSOR AIMING DOWN AT 30 DEGREE ANGLE.

REVISIONS	DATE	APPROVED BY: A. KHAWAJA
Mounting Details Revised	5/1/08	DATE: APRIL 1, 2007
2nd Camera Locst. added	1/14/09	



VIDEO DETECTION DETAILS

LC8900

NO.	DESCRIPTION	DATE	BY	SURVEYOR

FILE NAME: U:\DOT\To ITS\LC8900.dgn



VIDEO DETECTION DETAILS

ROUTE	SECTION	SECTION NUMBER	SHEET	SHEETS
CH		06-00924-00-TL	76	72