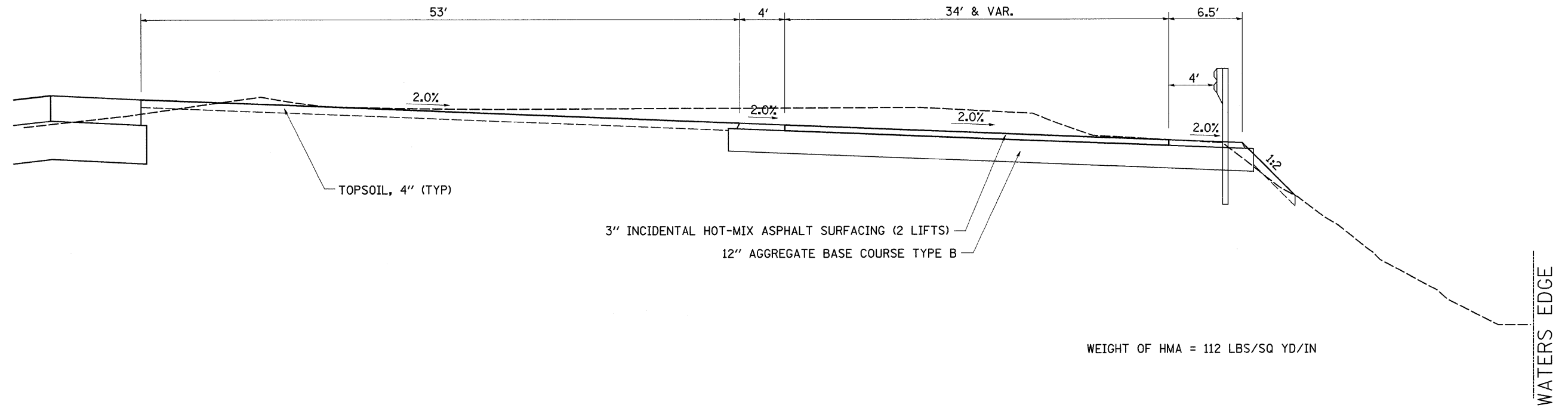
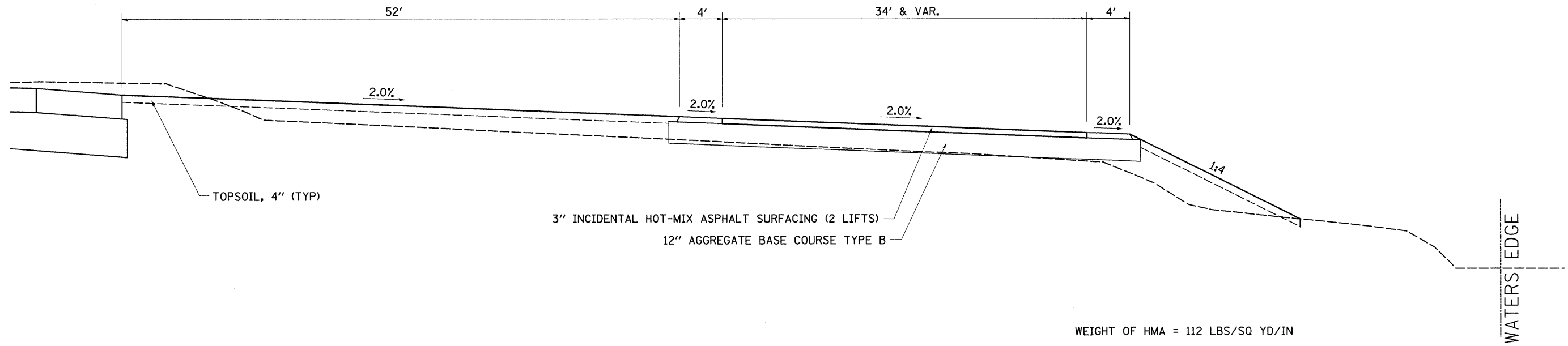


TYPICAL SECTIONS

SCENIC OVERLOOK NO.2



SCENIC OVERLOOK NO.3



FILE NAME =	USER NAME = grantpm	DESIGNED -	REVISED -	STATE OF ILLINOIS DEPARTMENT OF TRANSPORTATION	TYPICAL SECTIONS	F.A. RTE.	SECTION	COUNTY	TOTAL SHEETS	SHEET NO.	
ci:\pwork\VPWIDOT\GRANTPM\dms31213\086628.dgn	PLOT SCALE = 50.0000' / IN.	DRAWN -	REVISED -			742	37R-4	OGLE	867	33	
PLOT DATE = Tue Mar 30 13:47:20 2010	DATE -	CHECKED -	REVISED -			CONTRACT NO. 64E17		ILLINOIS FED. AID PROJECT			
		DATE -	REVISED -			SCALE:	SHEET NO. OF SHEETS	STA. TO STA.			