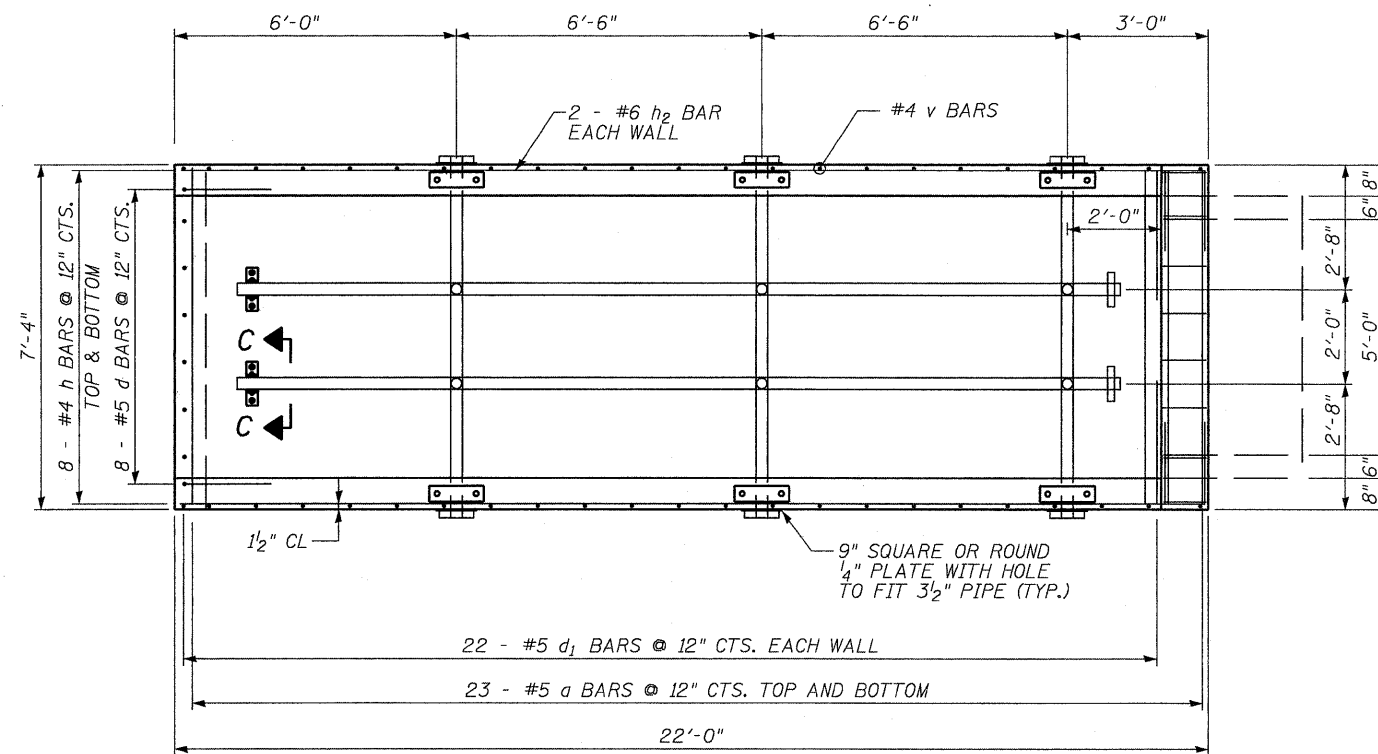
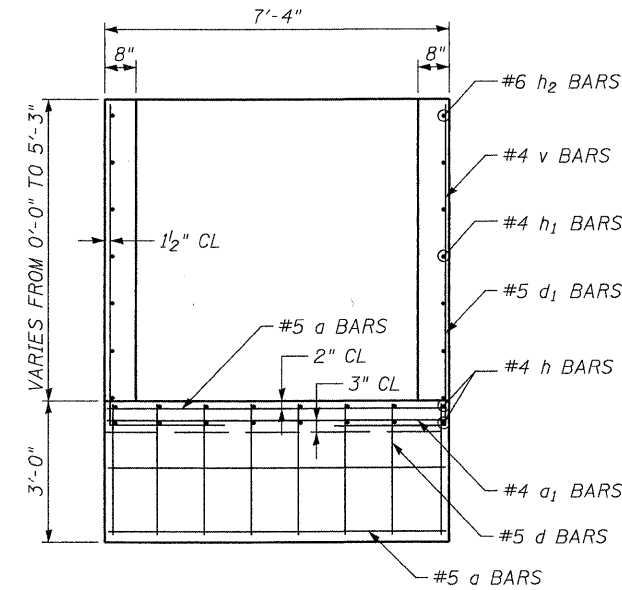


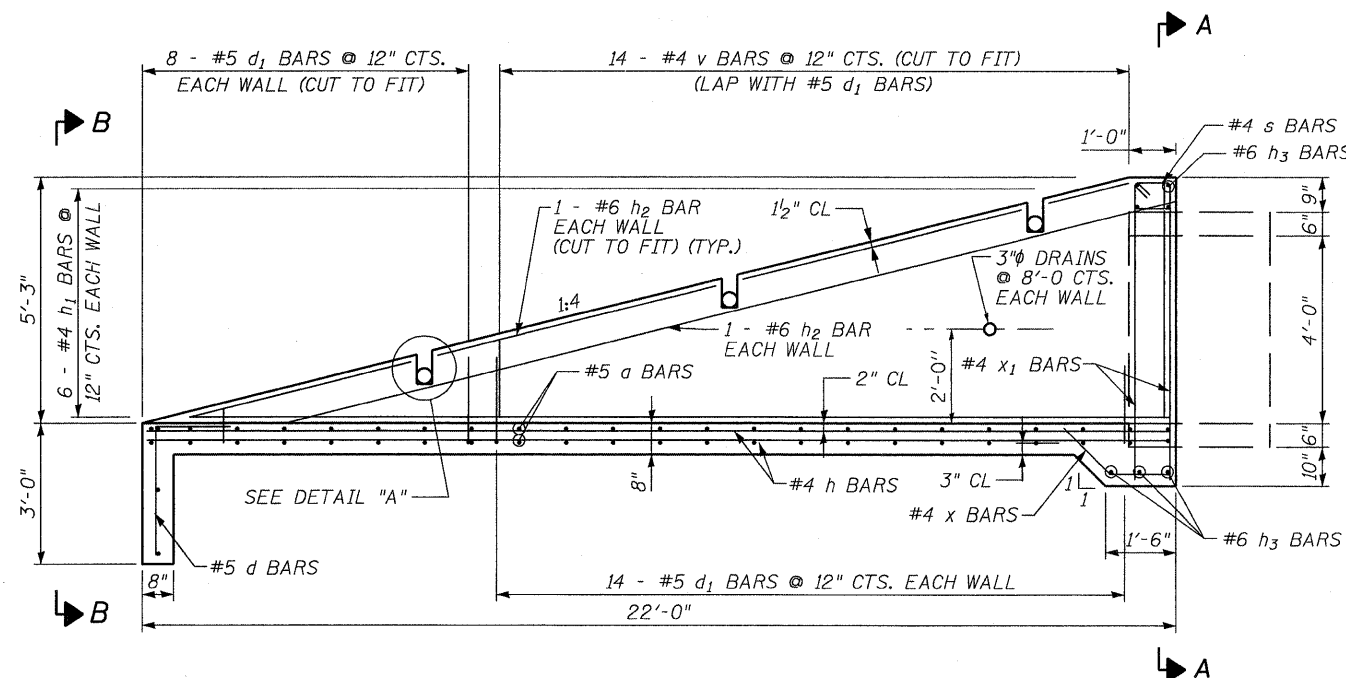
**BOX CULVERT END SECTION,  
CULVERT NO. 1  
STA. 747 + 50**



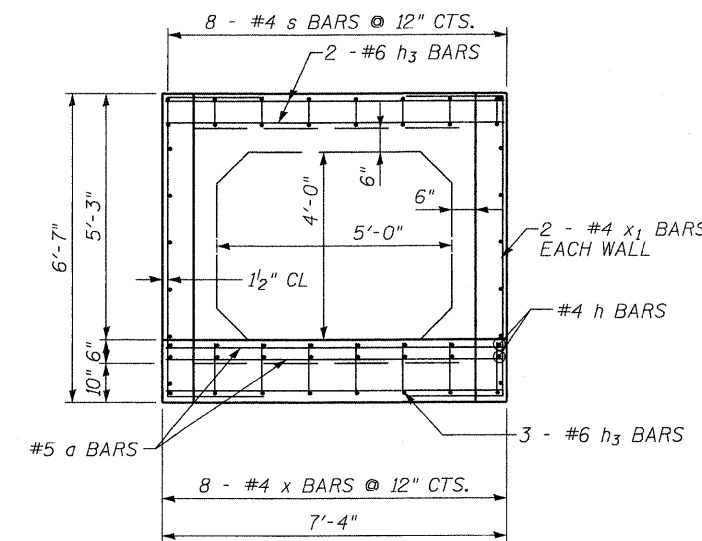
**PLAN VIEW**



**SECTION B-B**



**LONGITUDINAL SECTION**



**SECTION A-A**



David F. Maxwell, S.E. Reg. No. 081-005455  
Date: 3/3/10  
My registration expires November 30, 2010.

FILE NAME =	USER NAME =	DESIGNED - GSS	REVISED -	<b>STATE OF ILLINOIS DEPARTMENT OF TRANSPORTATION</b>	<b>CULVERT END SECTION NO. 1</b>		F.A.P. RTE. 742	SECTION 37 R-4	COUNTY OGLE	TOTAL SHEETS 867	SHEET NO. 169	
		DRAWN - SVJ	REVISED -				SCALE:	SHEET NO. 1 OF 2 SHEETS	STA. TO STA.	CONTRACT NO. 64E17		
		CHECKED - CTH	REVISED -									
		DATE - 3/2/2010	REVISED -									