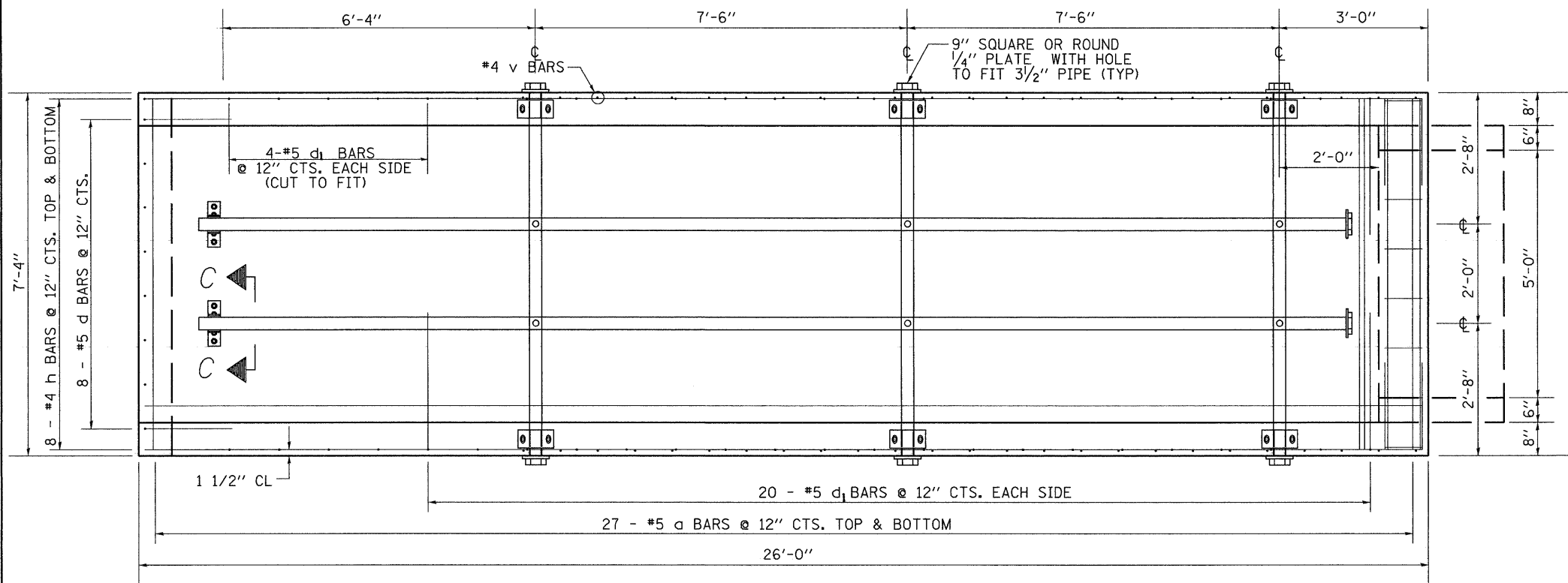
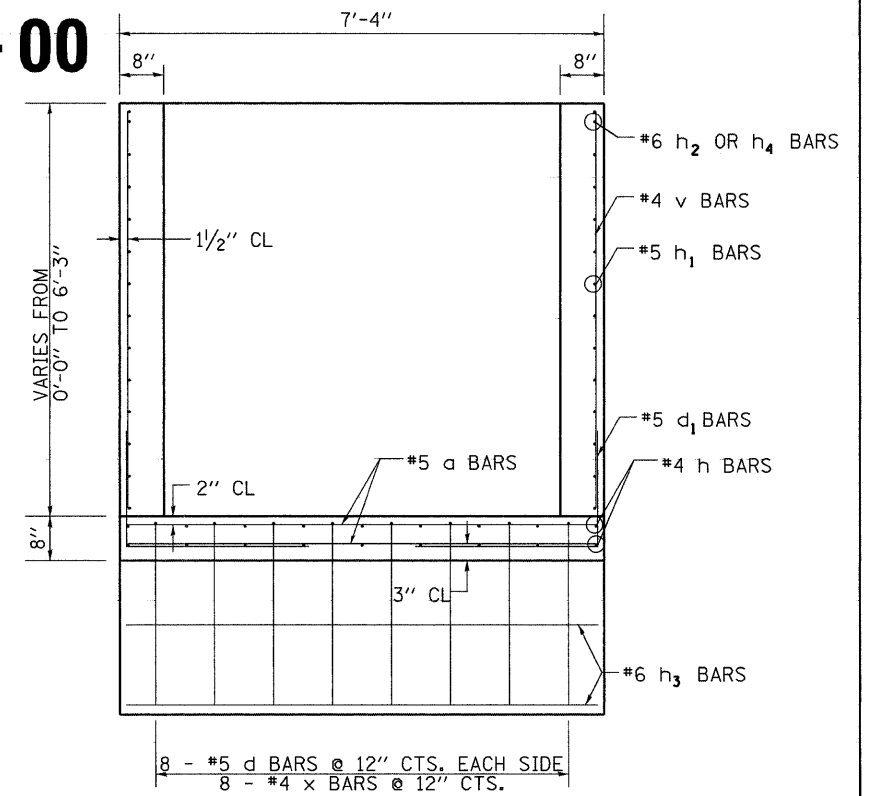


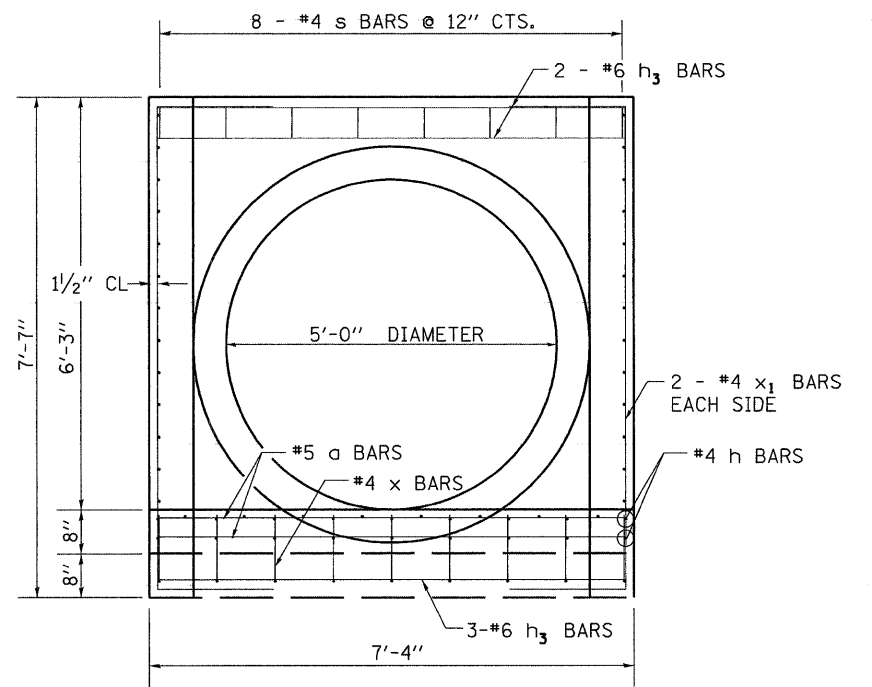
BOX CULVERT END SECTION CULVERT NO. 6 STA. 964+00



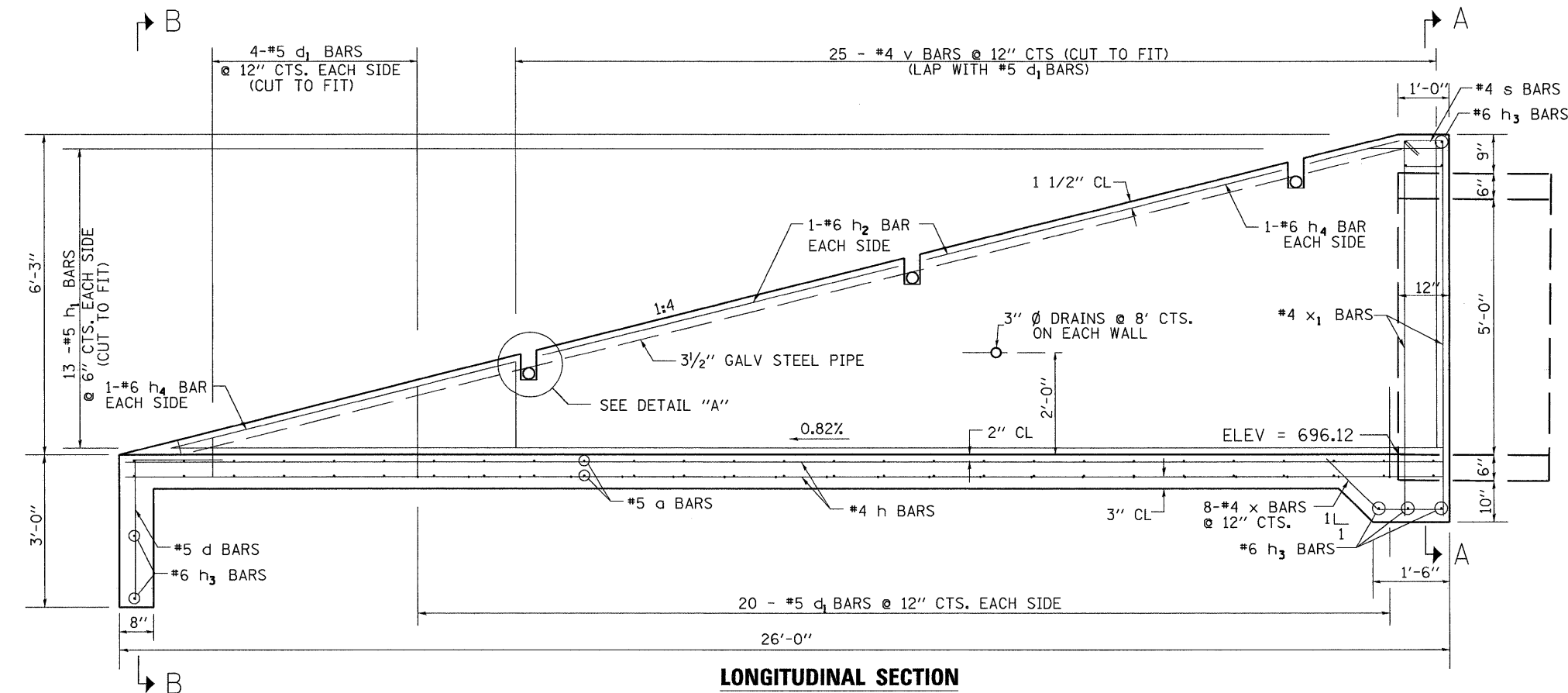
PLAN VIEW



SECTION B-B



SECTION A-A



LONGITUDINAL SECTION

STATE OF ILLINOIS
DAVID
F. MAXWELL
081-005455
ST. LOUIS, MO
LICENSED STRUCTURAL ENGINEER

David F. Maxwell

David F. Maxwell, S.E. Reg. No. 081-005455

Date: 3/3/10

My registration expires November 30, 2010.

| | | | | | | | | | | | |
|--|--------------------|------------|-----------|---|--|---|---------|--------|--------------|-----------|--|
| FILE NAME = | USER NAME = chersn | DESIGNED - | REVISED - | STATE OF ILLINOIS DEPARTMENT OF TRANSPORTATION | BOX CULVERT END SECTION CULVERT NO. 6 | F.A.P. RTE. | SECTION | COUNTY | TOTAL SHEETS | SHEET NO. | |
| C:\Documents and Settings\kbrahm\Desktop\d06620boulvdetail.dgn | | DRAWN - | REVISED - | | | 742 | 37R-4 | OGLE | 867 | 179 | |
| PLOT SCALE = 50.1500' / IN. | | CHECKED - | REVISED - | | | CONTRACT NO. 64E17 | | | | | |
| PLOT DATE = 6/17/2010 | | DATE - | REVISED - | | | FED. ROAD DIST. NO. ILLINOIS FED. AID PROJECT | | | | | |