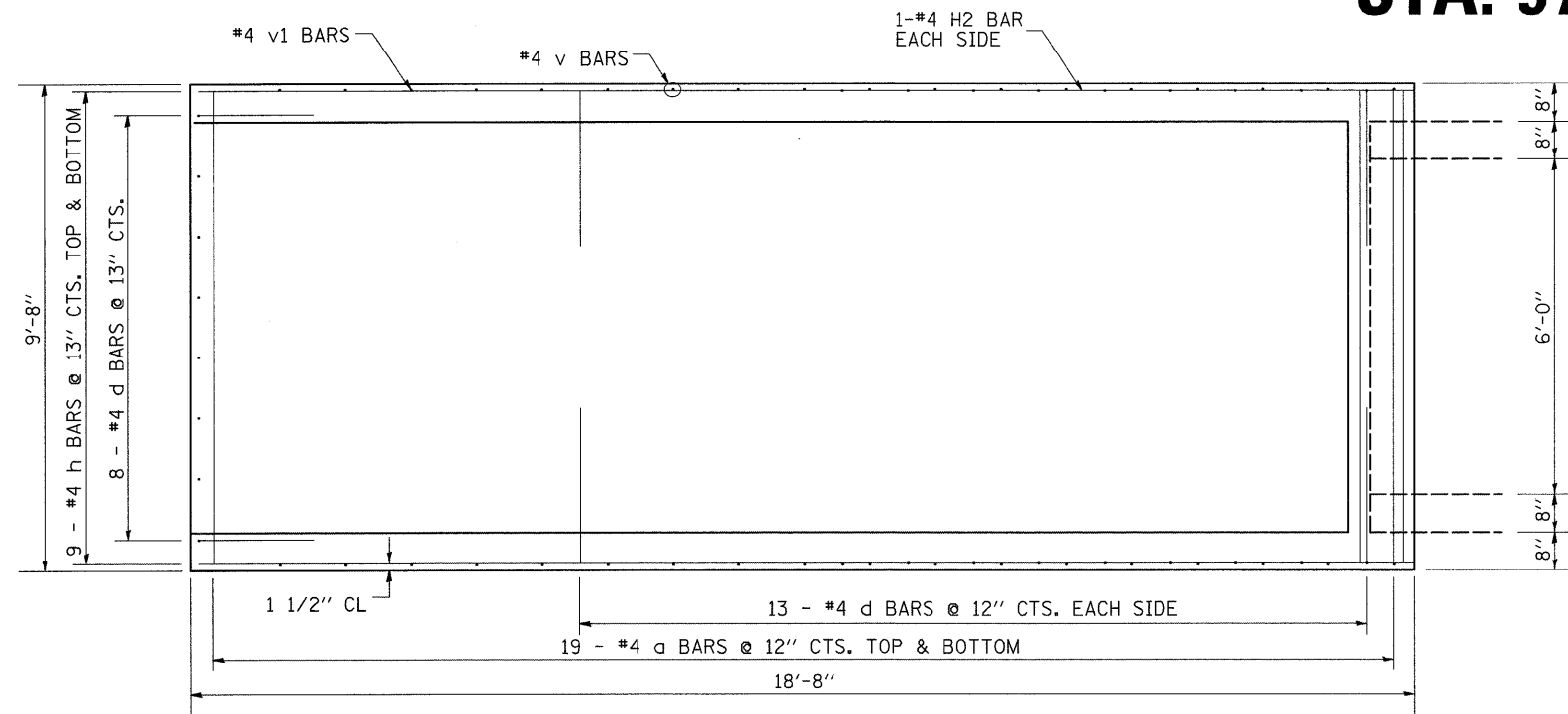
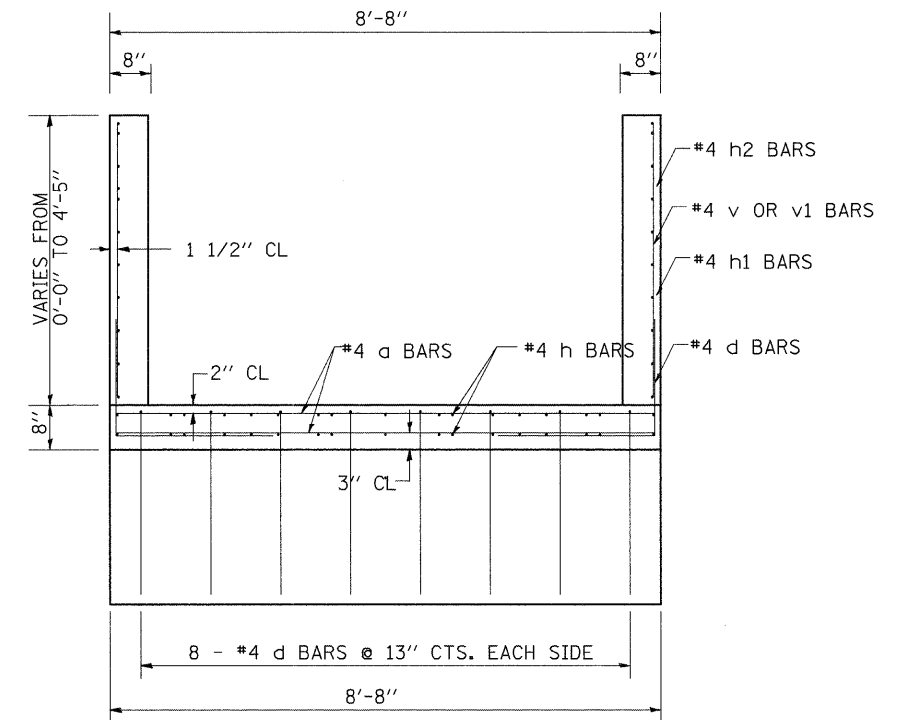


BOX CULVERT END SECTION CULVERT NO. 7

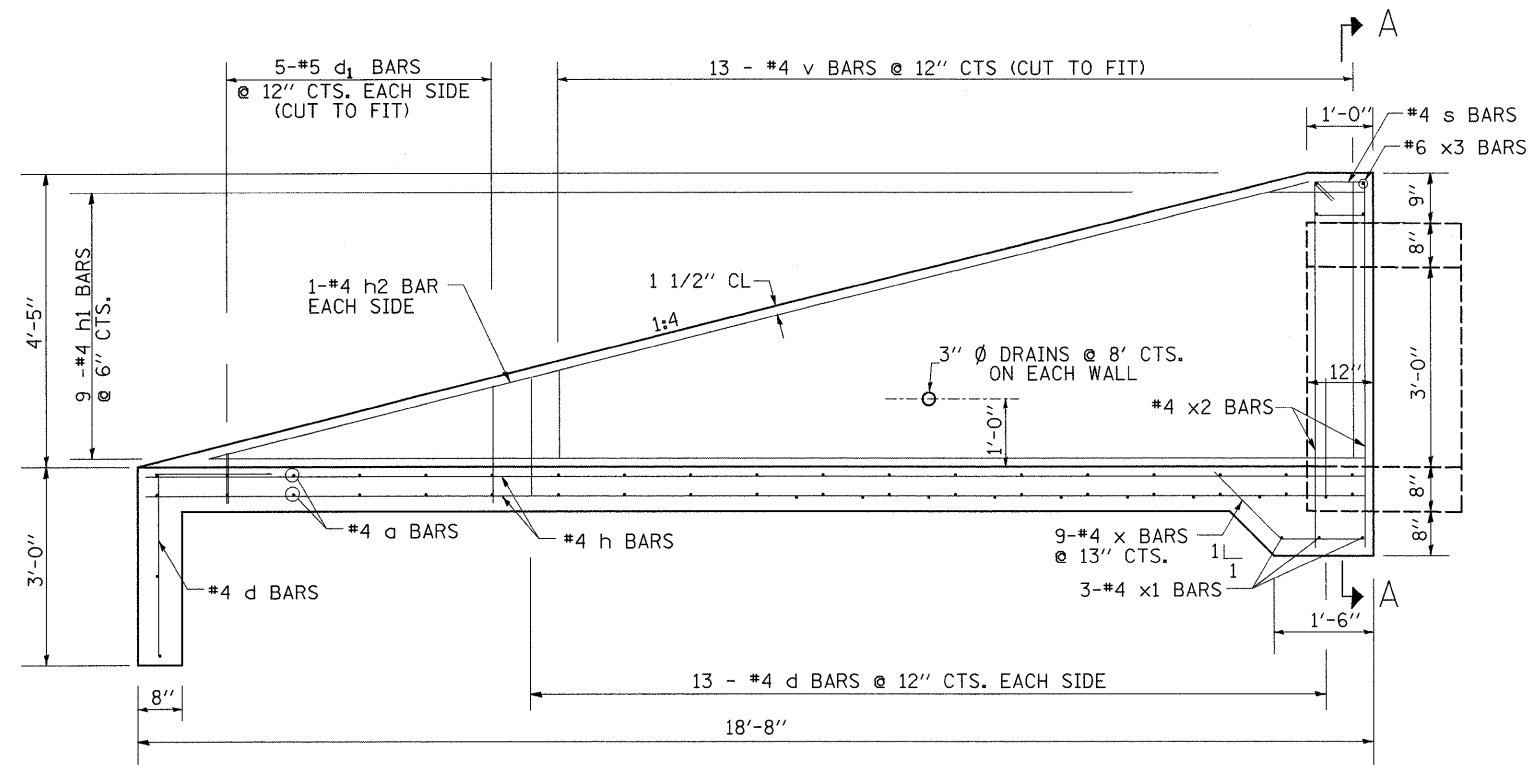
STA. 974 + 38



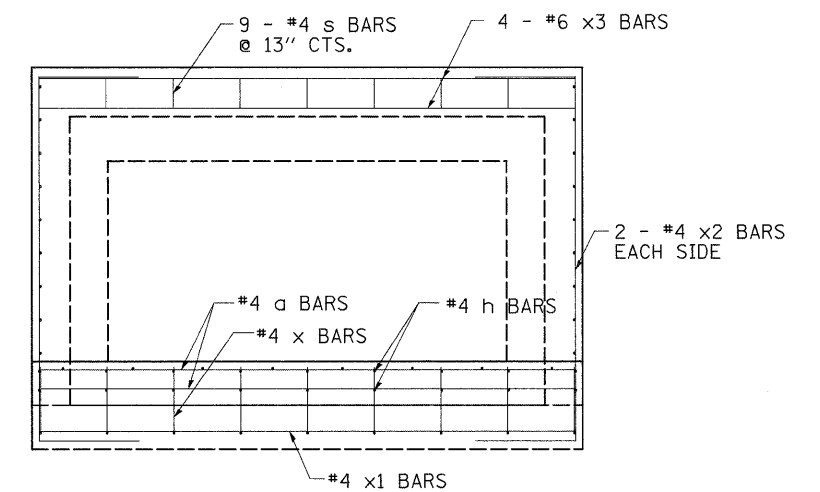
PLAN VIEW



SECTION B-B



LONGITUDINAL SECTION



SECTION A-A

FILE NAME =	USER NAME = cushmanbw	DESIGNED -	REVISED -	STATE OF ILLINOIS DEPARTMENT OF TRANSPORTATION	BOX CULVERT END SECTION CULVERT NO. 7	F.A.S RTE.	SECTION	COUNTY	TOTAL SHEETS	SHEET NO.
cr\pwwork\pwwid0t\CUSHMANBW\dms31213\ad6608culvdetail.dgn	PLOT SCALE = 50.0000' / IN.	DRAWN -	REVISED -			742	37R-4	OGLE	867	181
PLOT DATE = Wed Mar 31 08:57:13 2010	DATE -	CHECKED -	REVISED -			CONTRACT NO. 64E17				
		DATE -	REVISED -			FED. ROAD DIST. NO. ILLINOIS FED. AID PROJECT				