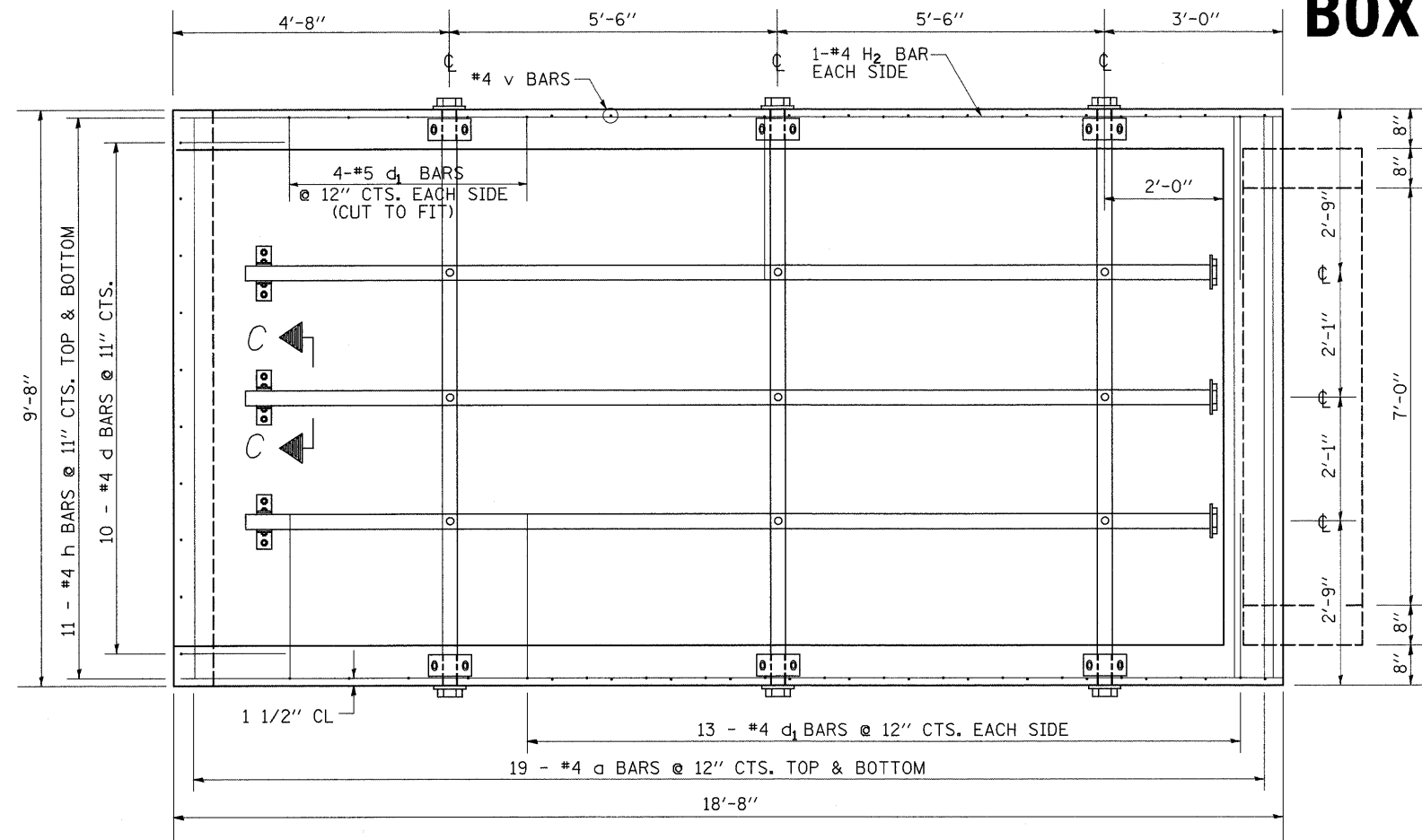
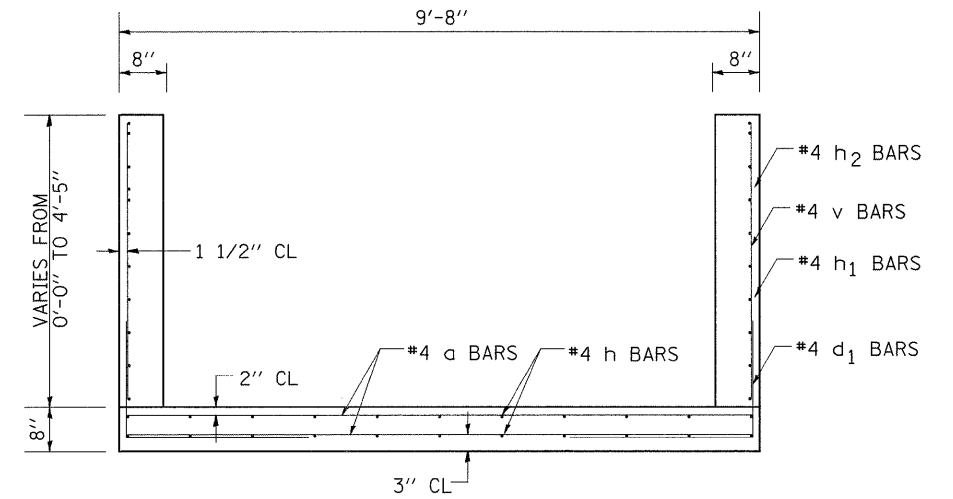


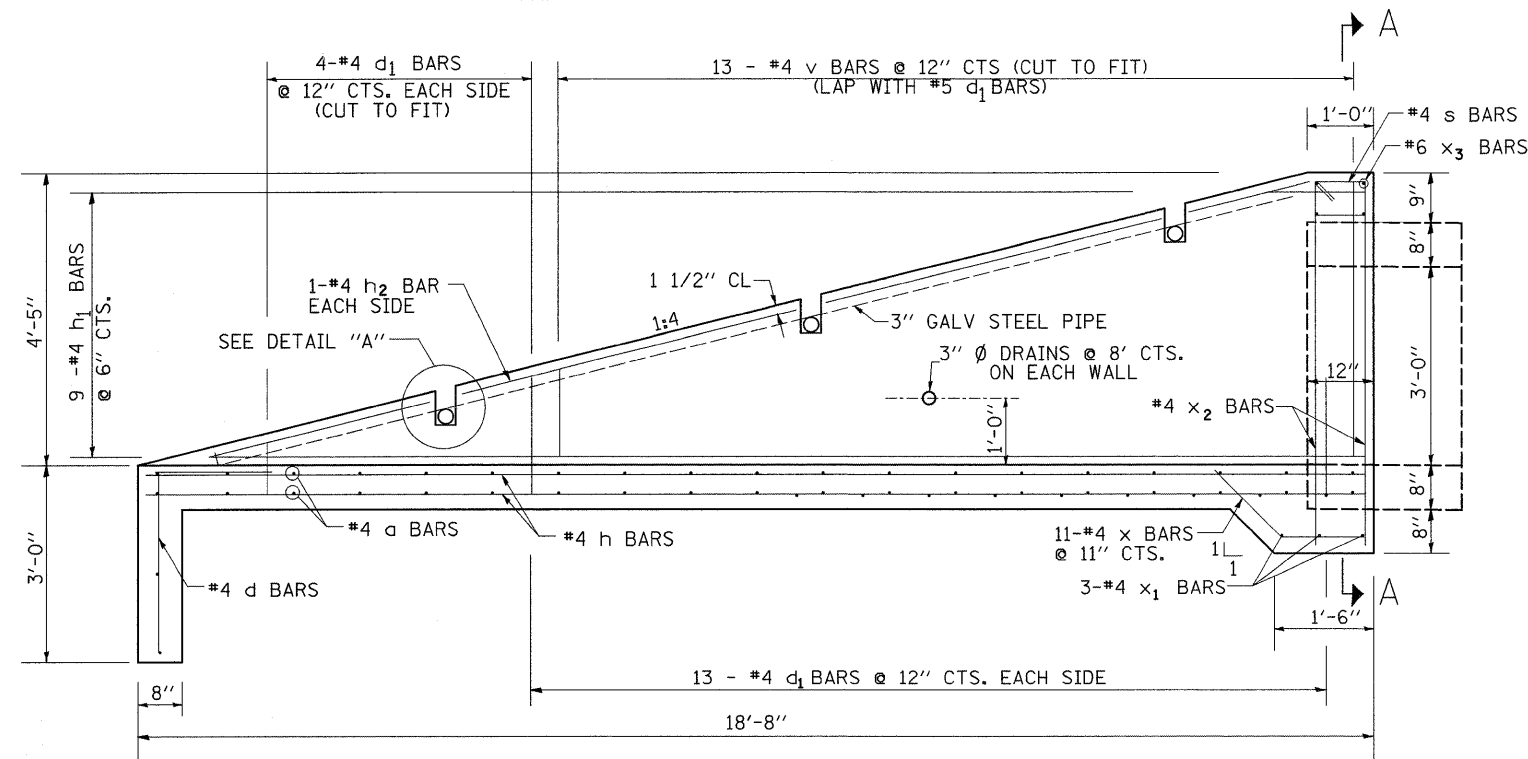
BOX CULVERT END SECTION CULVERT NO. 9 STA. 1023 + 85



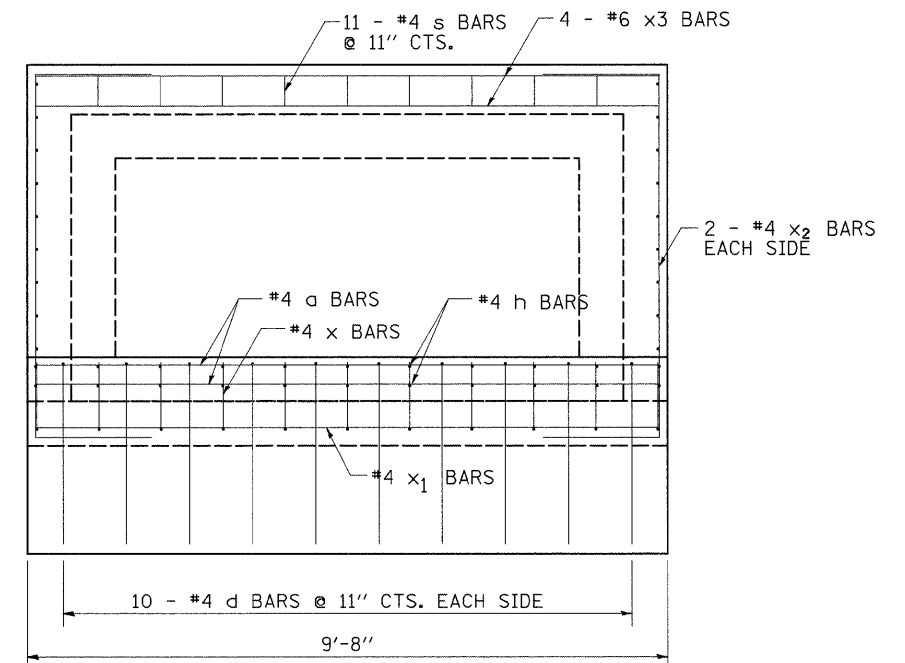
PLAN VIEW



SECTION THRU END SECTION



LONGITUDINAL SECTION



SECTION A-A

FILE NAME =	USER NAME = cushmanbw	DESIGNED -	REVISED -	STATE OF ILLINOIS DEPARTMENT OF TRANSPORTATION	BOX CULVERT END SECTION CULVERT NO. 9	F.A.P. RTE.	SECTION	COUNTY	TOTAL SHEETS	SHEET NO.
cr:\pwork\p\WIDOT\CUSHMANBW\dms31213\d0608culvdetail.dgn		DRAWN -	REVISED -			742	37R-4	OGLE	867	185
PLOT SCALE = 50.0000' / IN.		CHECKED -	REVISED -			CONTRACT NO. 64E17				
PLOT DATE = Wed Mar 31 08:57:14 2010		DATE -	REVISED -			FED. ROAD DIST. NO.	ILLINOIS FED. AID PROJECT			
					SCALE:	SHEET NO. 1 OF 2 SHEETS	STA.	TO STA.		