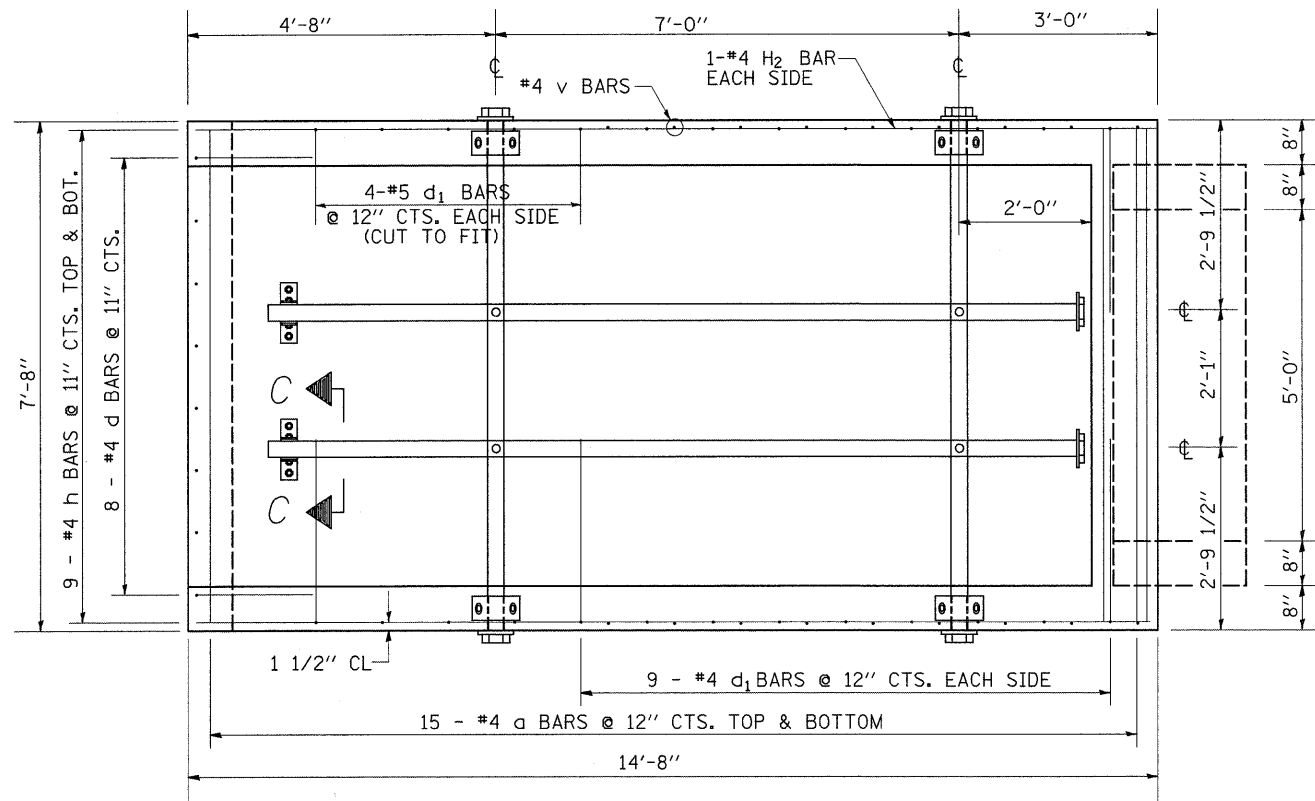
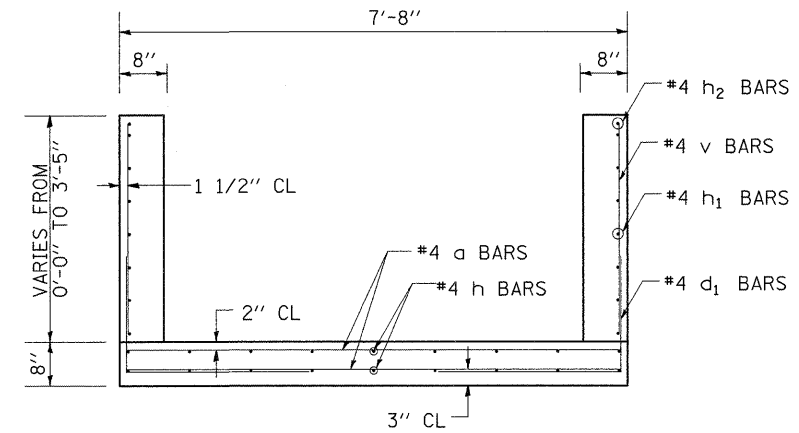


BOX CULVERT END SECTION CULVERT NO. 11

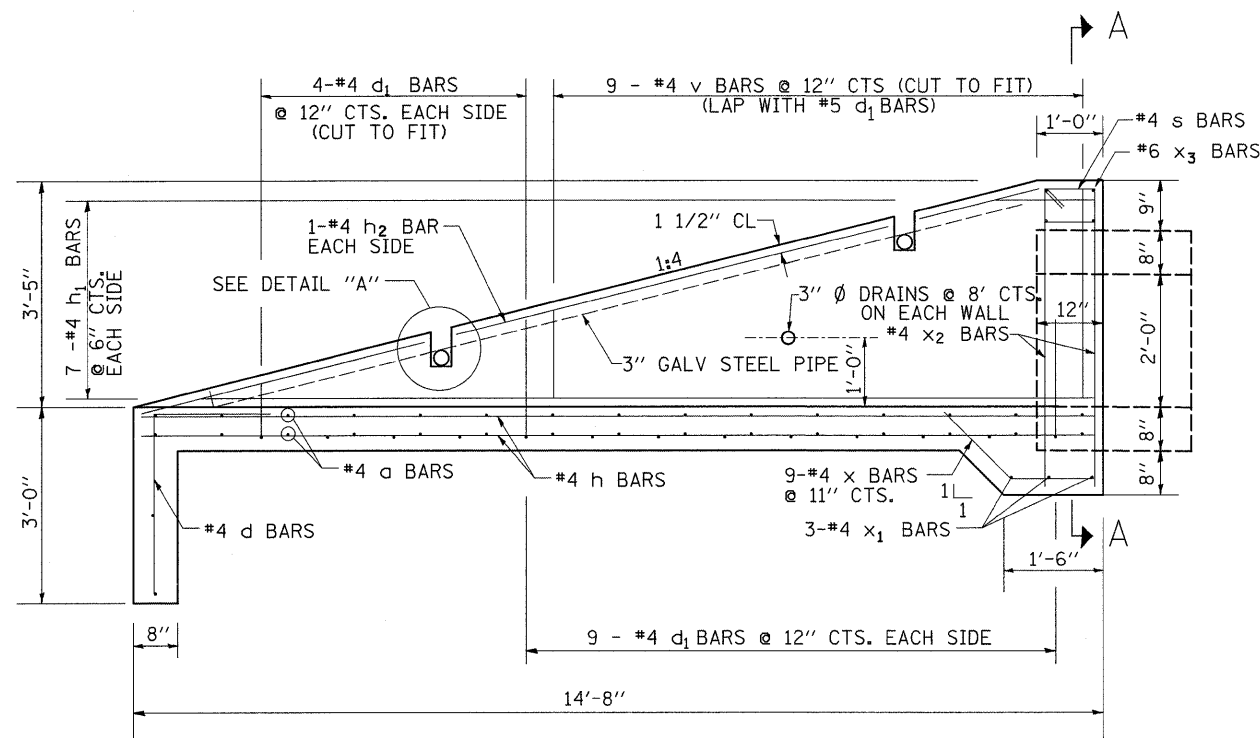
STA. 1050 + 36



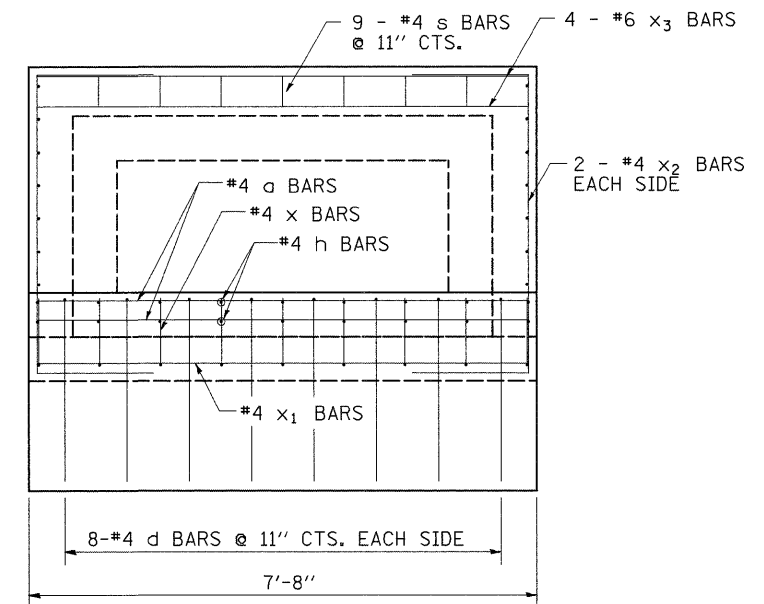
PLAN VIEW



SECTION THRU END SECTION



LONGITUDINAL SECTION



SECTION A-A

FILE NAME =	USER NAME = cushmanbw	DESIGNED -	REVISED -	STATE OF ILLINOIS DEPARTMENT OF TRANSPORTATION	BOX CULVERT END SECTION CULVERT NO. 11	F.A.P. RTE.	SECTION	COUNTY	TOTAL SHEETS	SHEET NO.	
es:\pwork\pwork\PWID00\CUSHMANBW\dms31213\dms31213.dgn	6680bulvdetail.dgn	DRAWN -	REVISED -			742	37R-4	OGLE	867	189	
PLOT SCALE = 50.0000' / IN.		CHECKED -	REVISED -			CONTRACT NO. 64E17					
PLOT DATE = Wed Mar 31 08:57:15 2010		DATE -	REVISED -			FED. ROAD DIST. NO. ILLINOIS FED. AID PROJECT					
				SCALE: SHEET NO. 1 OF 2 SHEETS STA. TO STA.							