

STATE OF ILLINOIS  
DEPARTMENT OF TRANSPORTATION

**GENERAL NOTES**

Precast Concrete Box Culvert sections shall conform to the requirements of Article 540.06 of the Standard Specifications and the applicable requirements of AASHTO M 273.

The minimum concrete strength shall be 5,000 psi.

Lifting holes shall be filled with concrete plugs and mastic after box sections are in place.

FILL < 2.0 ft. : TABLE \_\_\_\_\_

**REQUIRED AASHTO STEEL AREAS (in<sup>2</sup>/ft.)**

As1	0.27	As5	0.36
As2	0.41	As6	0.20
As3	0.41	As7	
As4		As8	

**REINFORCEMENT PROVIDED**

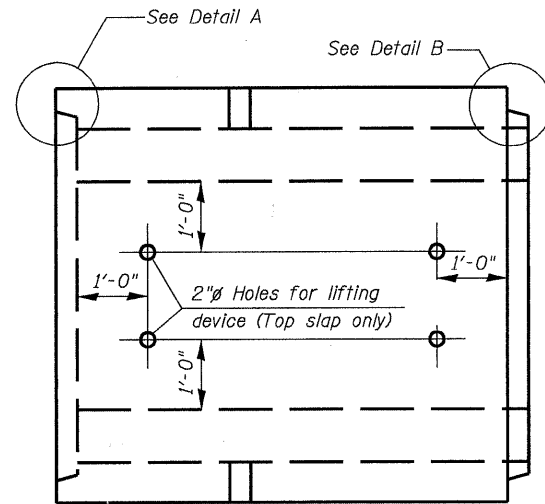
(To be filled out during construction)

**AREA**  
(in<sup>2</sup>/ft.)

As1	_____ x _____ W _____ x W _____ = _____	
As2	_____ x _____ W _____ x W _____ = _____	
As3	_____ x _____ W _____ x W _____ = _____	
As4	provided by As2 and As3	
As5	_____ = _____	
As6	_____ = _____	
As7	provided by As1	
As8	provided by As1	

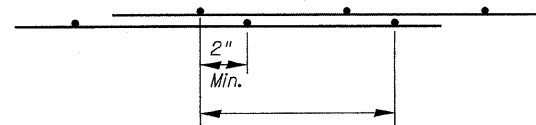
**BILL OF MATERIAL**

ITEM	UNIT	TOTAL
Precast Concrete Box Culvert 5' X 2' (Special)	Ft.	59

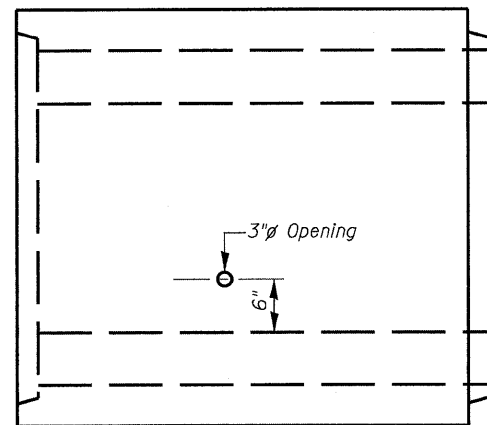


**PLAN**

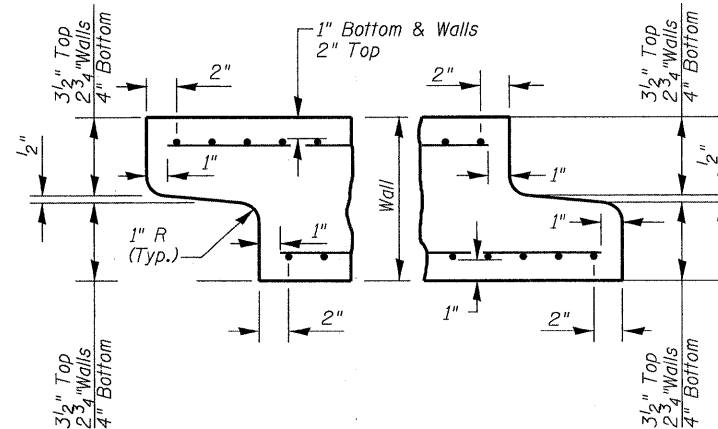
Location of lifting holes may be varied as needed to clear reinf.



**TYP. FABRIC LAP**



**ELEVATION**



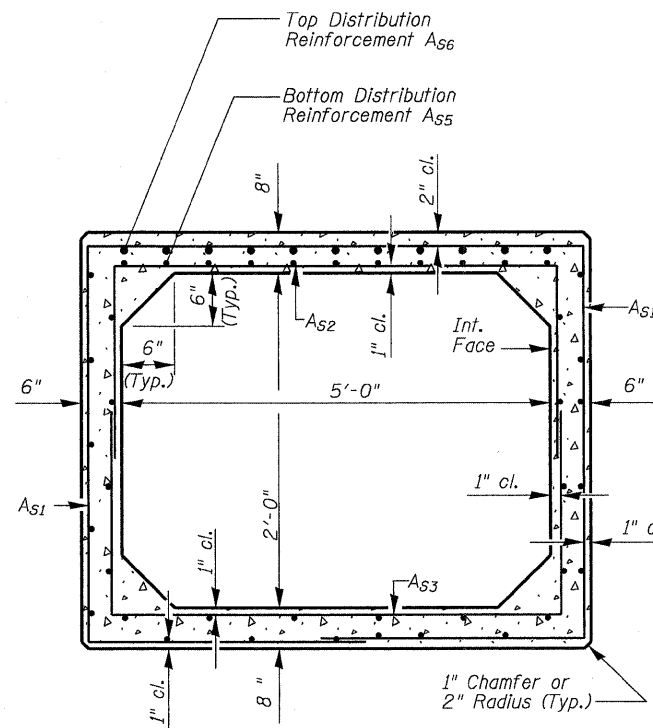
**DETAIL A**

(Typ. Inlet End)

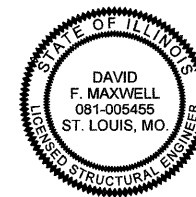
**DETAIL B**

(Typ. Outlet End)

Note: Inlet and outlet ends shall be compatible.



**CROSS SECTION**



*David F. Maxwell*  
David F. Maxwell, S.E. Reg. No. 081-005455  
Date: 3/3/10  
My registration expires November 30, 2010.

**BARREL DETAILS**  
**IL. RTE. 2 OVER TRIBUTARY TO ROCK RIVER**  
**F.A.P. RTE. 742 SECTION 37 R-4**  
**OGLE COUNTY**  
**STA. 1050+36**  
**STRUCTURE NO. 071-1130**

DESIGNED	KJB
CHECKED	CTH
DRAWN	DMJ
CHECKED	CTH

Howard R. Green Company

SHEET NO. 1	F.A.P. RTE.	SECTION	COUNTY	TOTAL SHEETS	SHEET NO.
	742	37 R-4	OGLE	867	198
1 SHEETS		CONTRACT NO. 64E17			
FED. ROAD DIST. NO. 7		ILLINOIS FED. AID PROJECT			