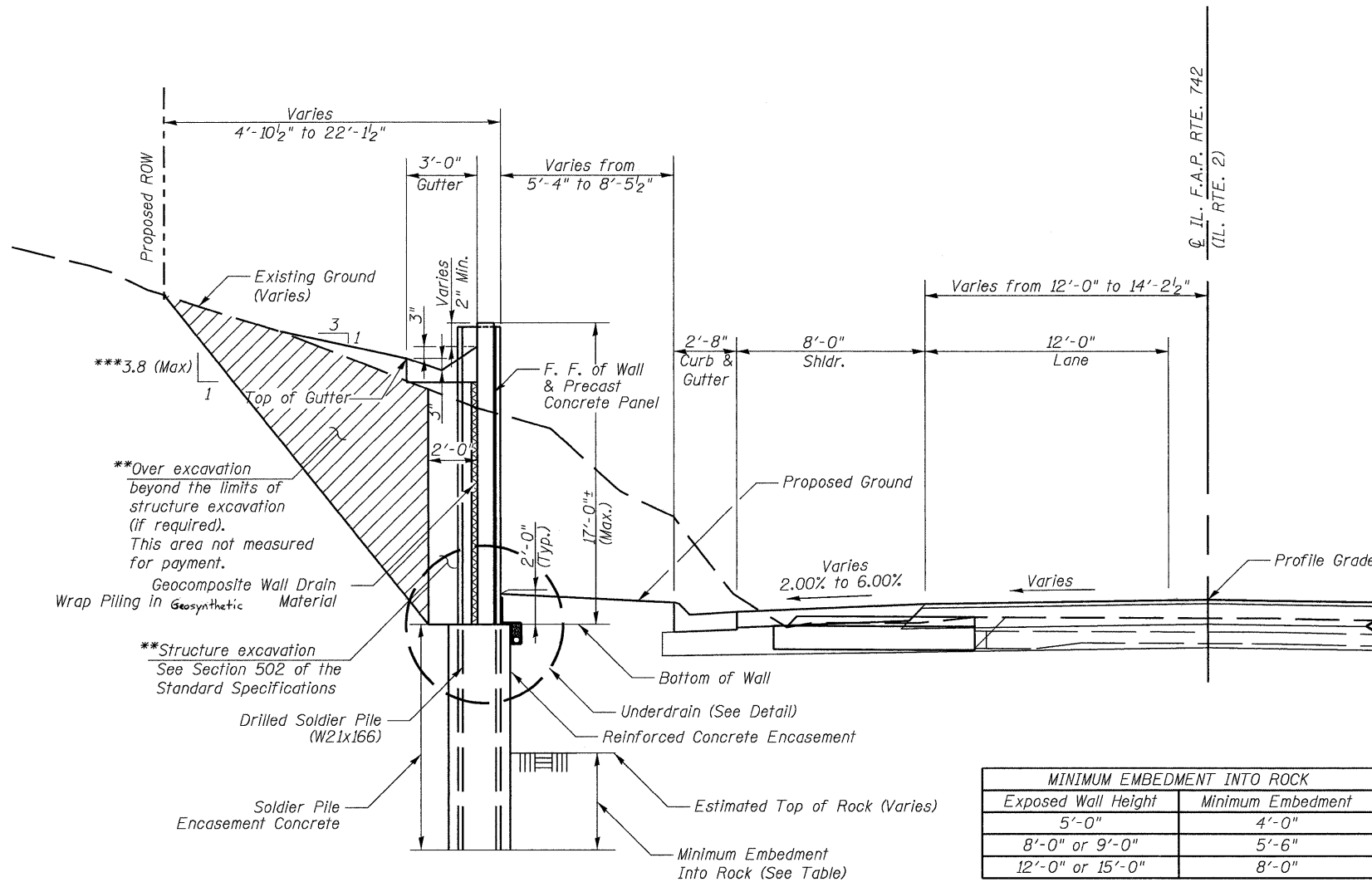


STATE OF ILLINOIS
DEPARTMENT OF TRANSPORTATION



MINIMUM EMBEDMENT INTO ROCK	
Exposed Wall Height	Minimum Embedment
5'-0"	4'-0"
8'-0" or 9'-0"	5'-6"
12'-0" or 15'-0"	8'-0"

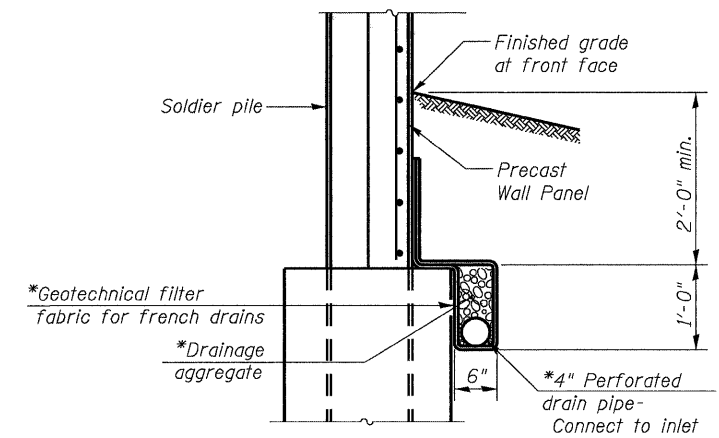
RETAINING WALL TYPICAL SECTION
STA. 709+10.00 TO STA. 715+65.00
(LOOKING NORTH)

* Included in the cost of pipe underdrains for structures.

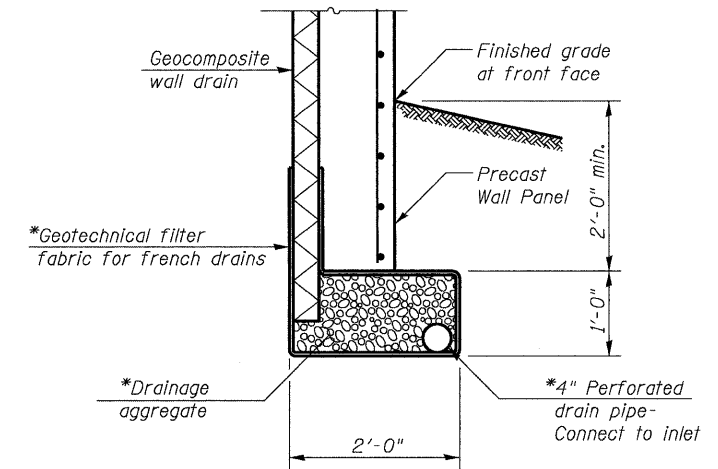
** Backfill remainder of structure excavation and over excavation with Granular Backfill. Cost included in Structure Excavation.

*** Weathered limestone should be present between Sta. 709+10 and approximately Sta. 714+00. If limestone is present, the slope of the over excavation may be steeper within these limits upon the approval of the Engineer.

DESIGNED	JMW
CHECKED	DFM
DRAWN	CTH
CHECKED	DFM



UNDERDRAIN DETAIL
AT SOLDIER PILES



UNDERDRAIN DETAIL
BETWEEN SOLDIER PILES

Note:

See sheets 6-8 of 13 for W21x166 location & spacing.

Precast panels will be finished with a uniform Ashlar Stone pattern with a horizontal break every 1'-0" vertically. See sheet 9 of 13.

DETAILS
STRUCTURE NO. 071-7003

SHEET NO. 5	F.A.P. RTE.	SECTION	COUNTY	TOTAL SHEETS	SHEET NO.
	742	3TR-4	OGLE	867	204
13 SHEETS	CONTRACT NO. 64E17				
FED. ROAD DIST. NO. 7 ILLINOIS FED. AID PROJECT					