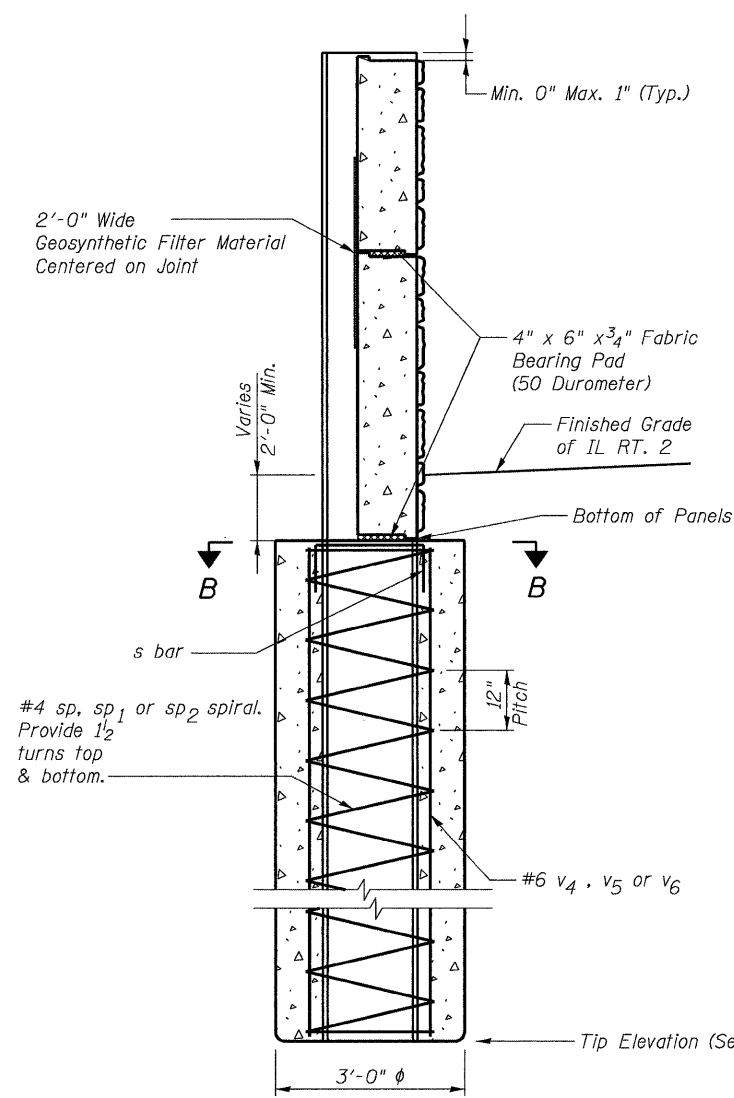
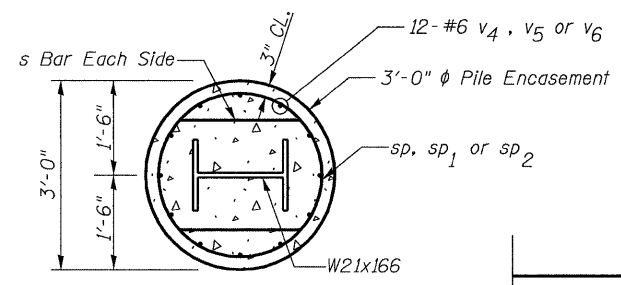


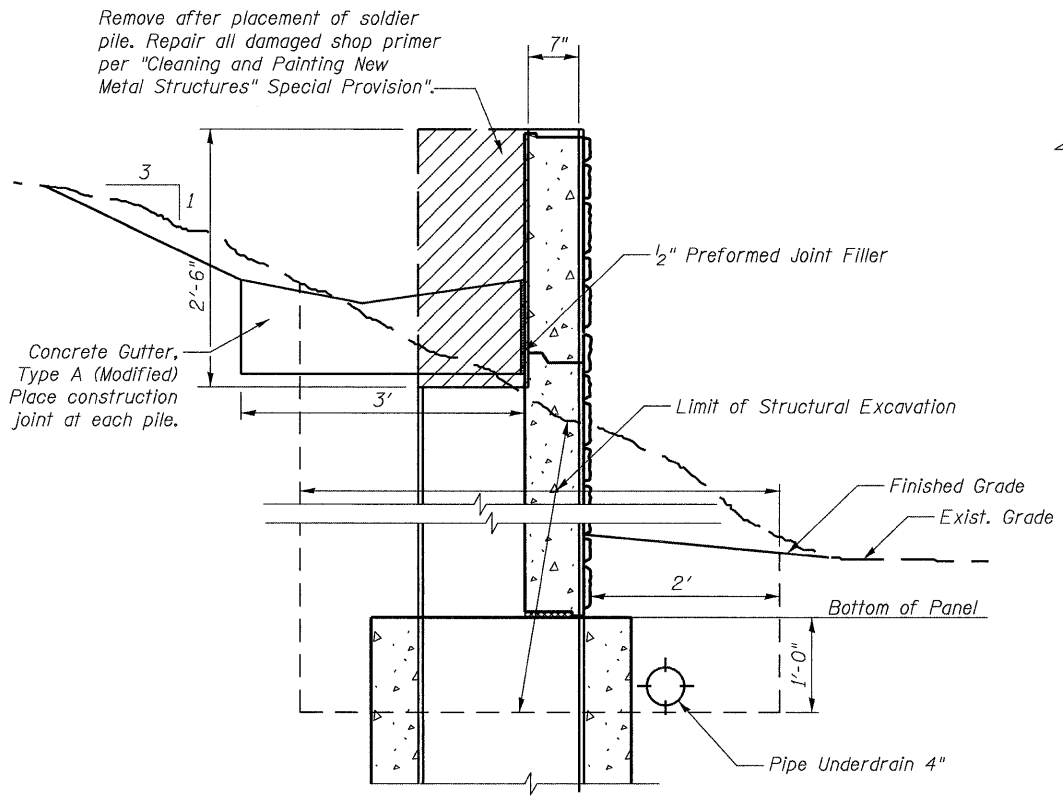
STATE OF ILLINOIS  
DEPARTMENT OF TRANSPORTATION



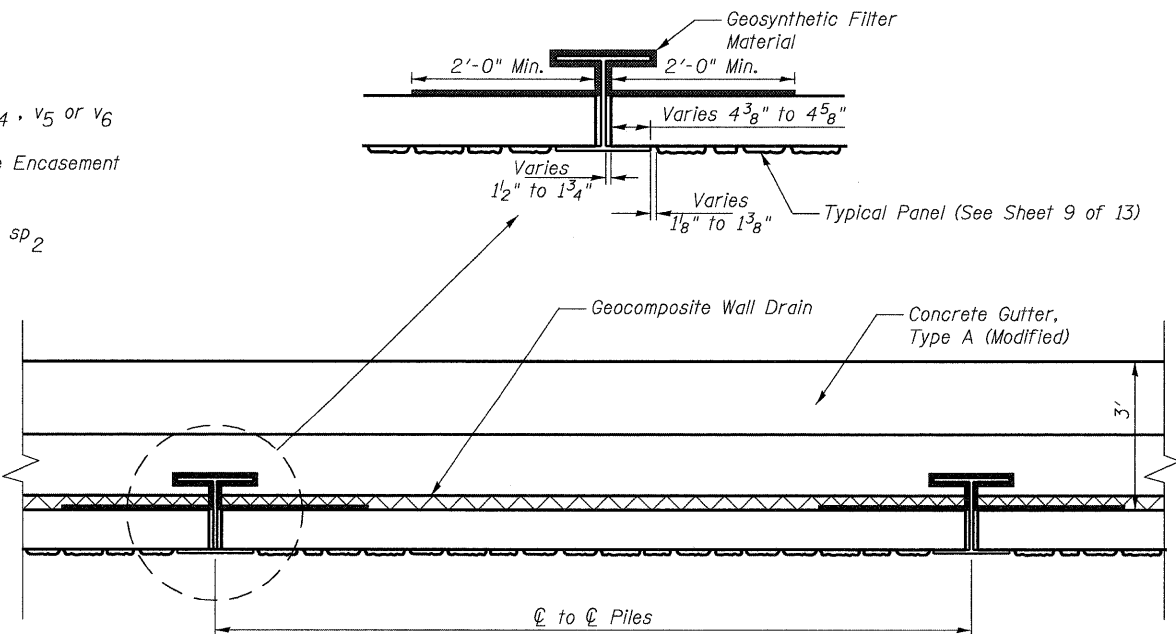
SECTION THROUGH PILE



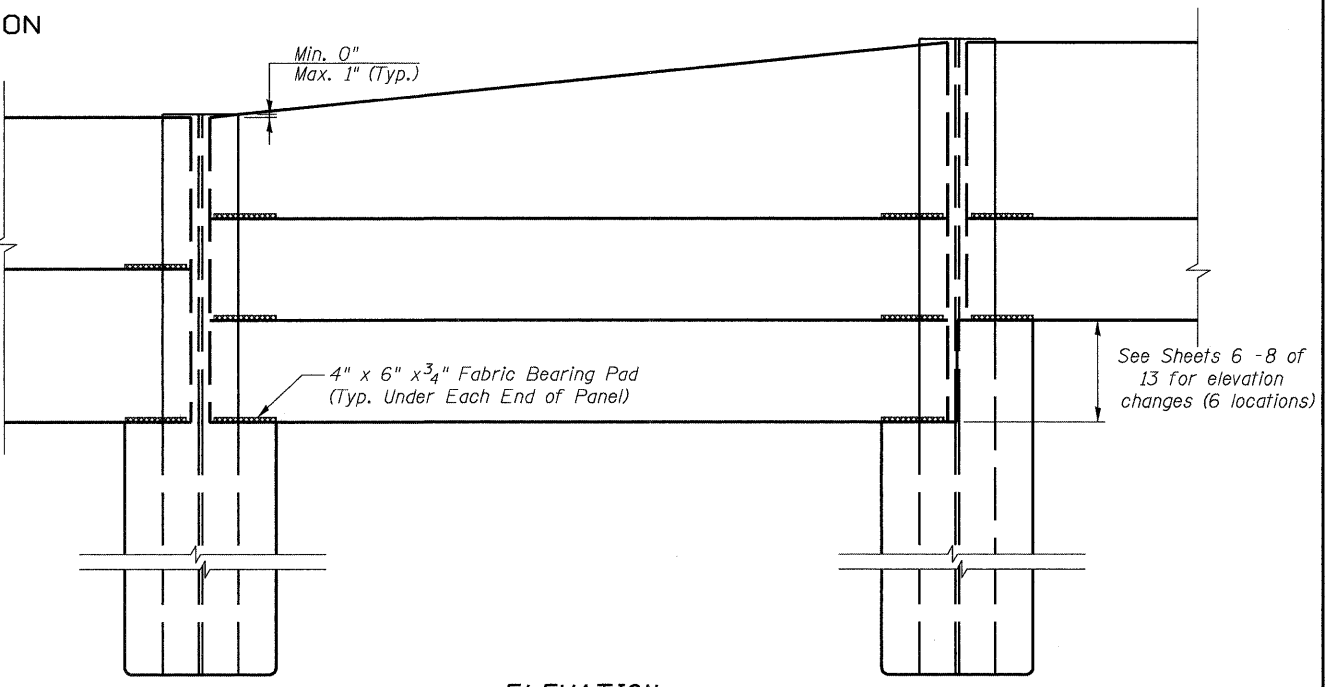
SECTION B-B



LIMIT OF STRUCTURAL EXCAVATION



PLAN

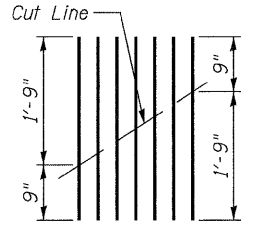


ELEVATION

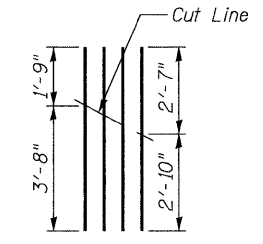
Reinforcement Quantities for information only.  
All form liners required for the precast concrete panels are included in the pay item "Retaining Wall (Special)".  
Reinforcement & Concrete for panels and pile encasement are included in the pay items "Retaining Wall (Special)", "Drilling & Setting Soldier Piles (In Soil)" or "Drilling & Setting Soldier Piles (In Rock)".

BILL OF MATERIALS \*\*\*

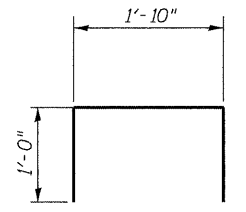
Bar	No.	Size	Length	Shape
V (E)	437	#4	1'-9"	—
V <sub>1</sub> (E)	49	#4	2'-6"	—
V <sub>2</sub> (E)	1724	#4	2'-9"	—
V <sub>3</sub> (E)	4	#4	5'-5"	—
v <sub>4</sub>	72	#6	9'-6"	—
v <sub>5</sub>	588	#6	10'-6"	—
v <sub>6</sub>	156	#6	11'-6"	—
H (E)	460	#5	9'-6"	—
H <sub>1</sub> (E)	1659	#7	9'-6"	—
H <sub>2</sub> (E)	101	#4	7'-1"	—
** sp	6	#4	9'-6"	⌘
** sp <sub>1</sub>	49	#4	10'-6"	⌘
** sp <sub>2</sub>	13	#4	11'-6"	⌘
s	134	#4	3'-10"	⌘
Reinforcement Bars, Epoxy Coated	Pounds		41,030	
Reinforcement Bars	Pounds		18,240	
Concrete Structures	Cu. Yd.		245.7	



V<sub>1</sub> (E) BARS



V<sub>3</sub> (E) BARS



s BARS

\*\*Length is height for spiral.  
\*\*\* For information only.

WALL DETAILS  
STRUCTURE NO. 071-7003

DESIGNED	JMW
CHECKED	DFM
DRAWN	CTH
CHECKED	DFM

Howard R. Green Company

SHEET NO. 10 13 SHEETS	F.A.P. RTE.	SECTION	COUNTY	TOTAL SHEETS	SHEET NO.
	742	37R-4	OGLE	867	209
			CONTRACT NO. 64E17		
FED. ROAD DIST. NO. 7 ILLINOIS FED. AID PROJECT					