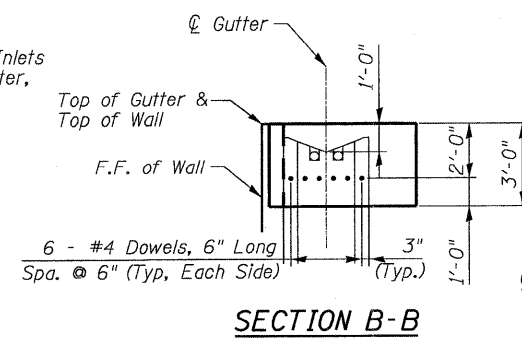
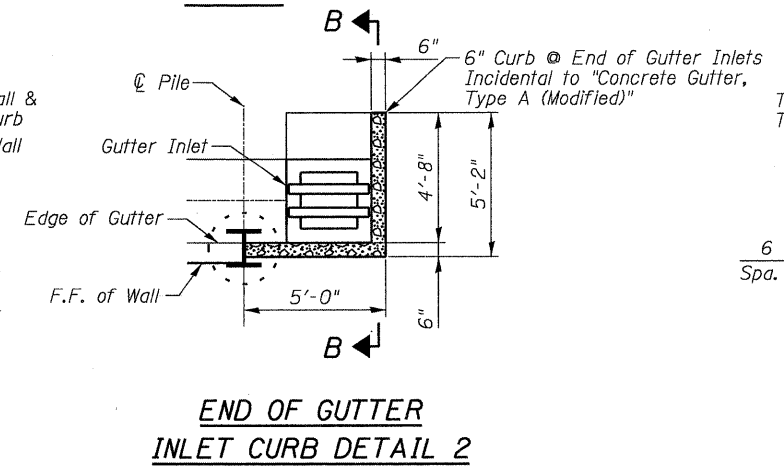
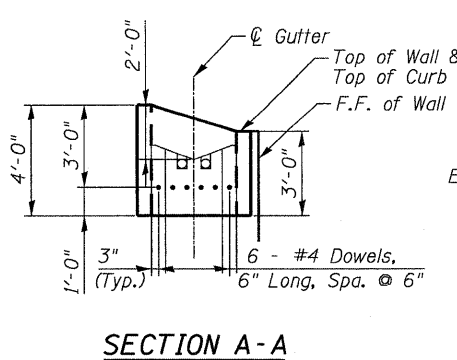
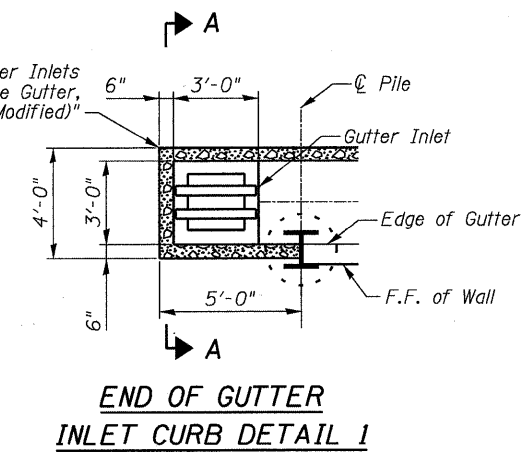
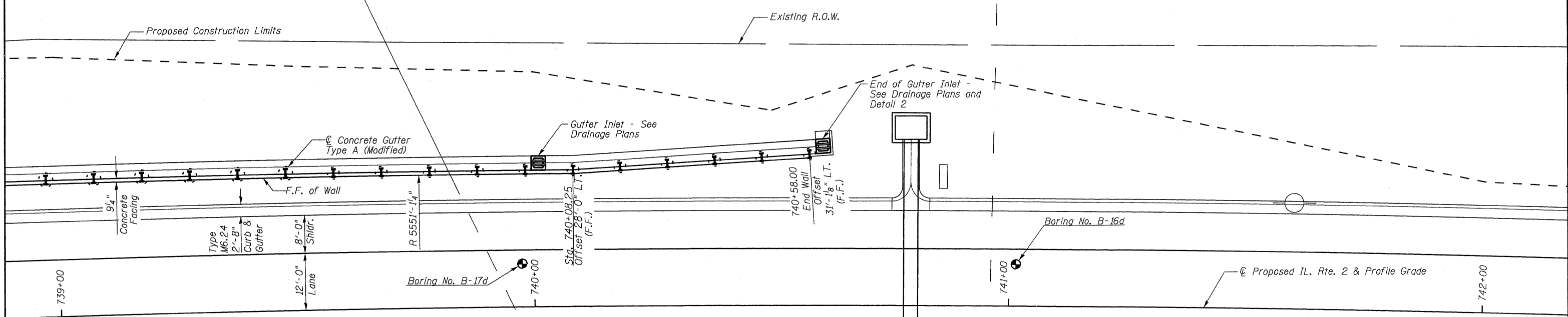
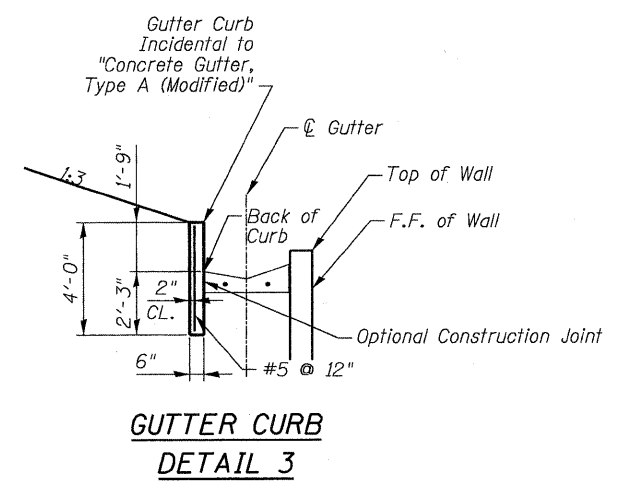
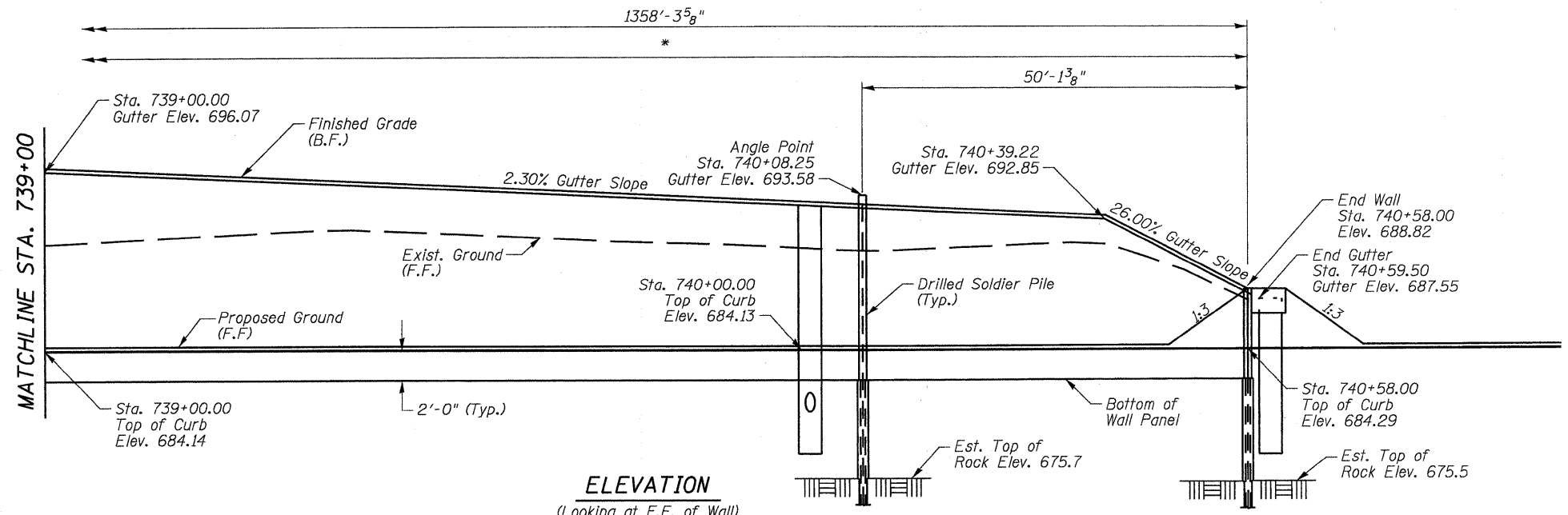


STATE OF ILLINOIS  
DEPARTMENT OF TRANSPORTATION

\* For top of wall elevation, pile section, spacing and tip elevation see sheets B-12 of 23. Bottom of wall panels shall be a minimum of 2'-0" below top of curb.



GENERAL PLAN & ELEVATION  
STRUCTURE NO. 071-7004

DESIGNED	JMW
CHECKED	DFM
DRAWN	CTH
CHECKED	DFM

SHEET NO. 5 23 SHEETS	F.A.P. RTE. 742	SECTION 37R-4	COUNTY OGLE	TOTAL SHEETS 867	SHEET NO. 217
	CONTRACT NO. 64E17			FED. ROAD DIST. NO. 7 ILLINOIS FED. AID PROJECT	