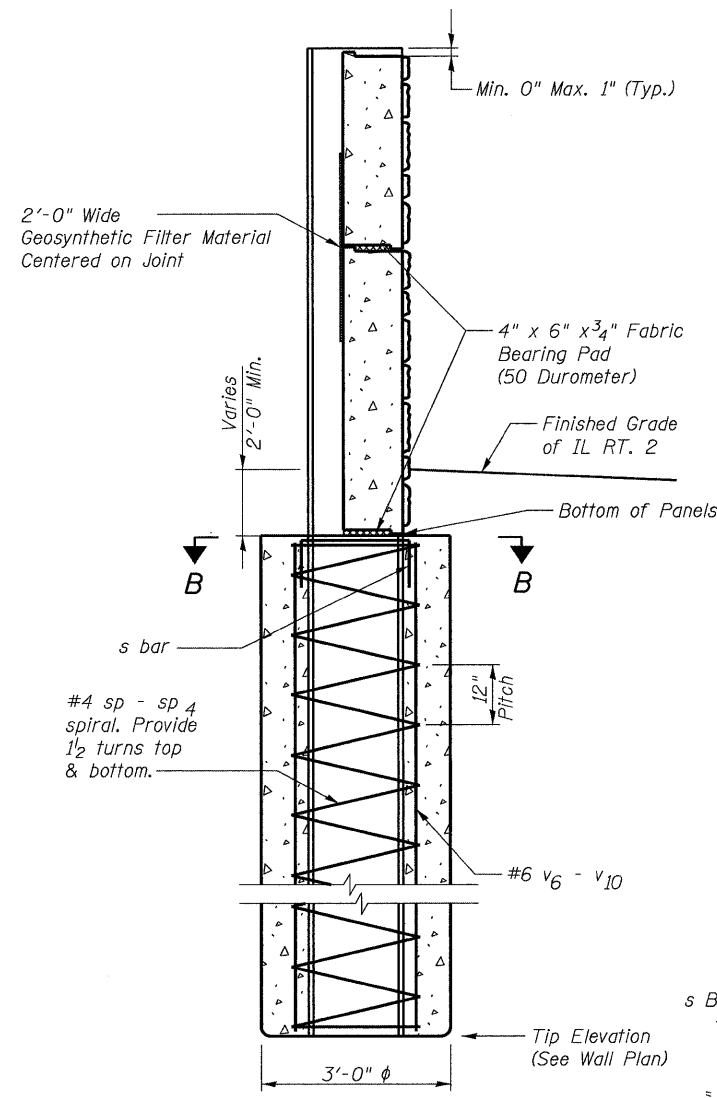
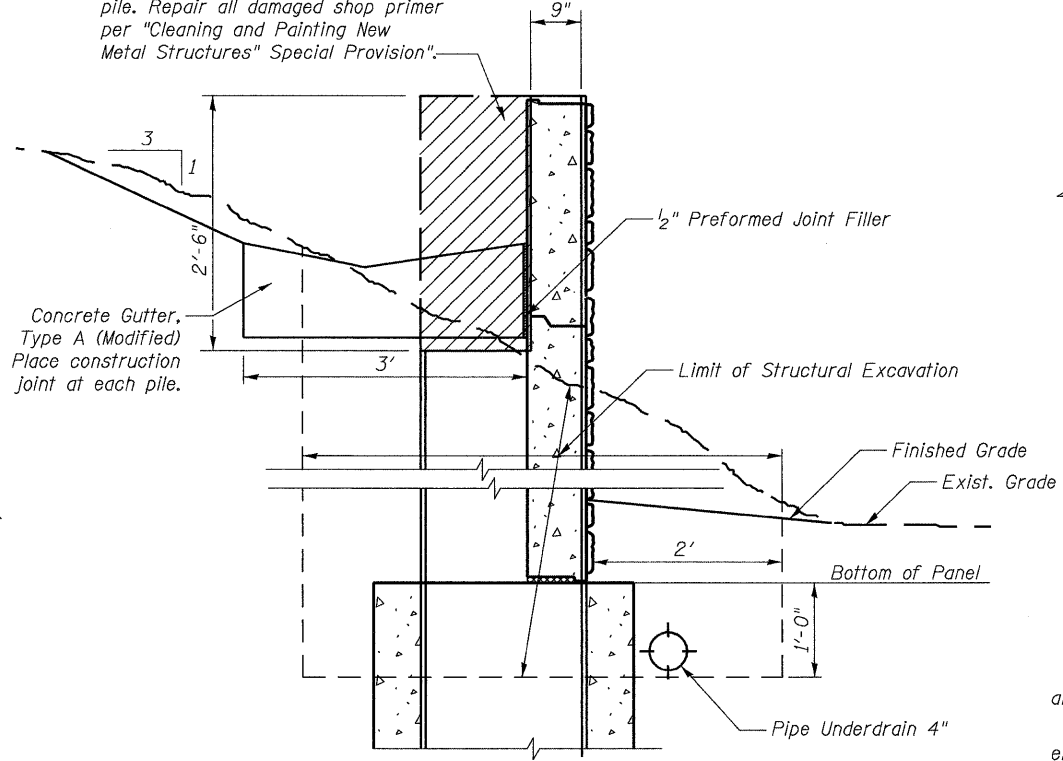


STATE OF ILLINOIS  
DEPARTMENT OF TRANSPORTATION

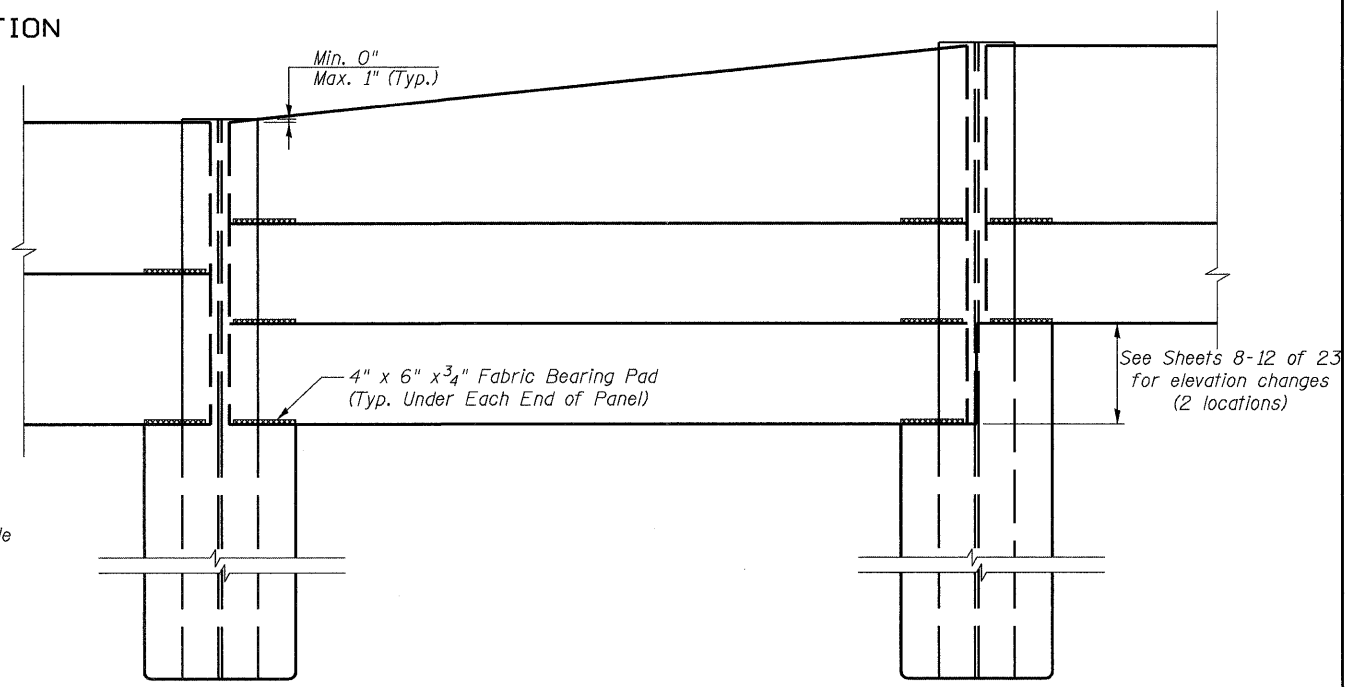
Remove after placement of soldier pile. Repair all damaged shop primer per "Cleaning and Painting New Metal Structures" Special Provision.



SECTION THROUGH PILE



LIMIT OF STRUCTURAL EXCAVATION

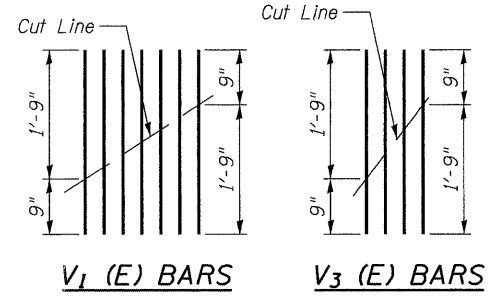


ELEVATION

Reinforcement Quantities for information only.  
All form liners required for the precast concrete panels are included in the pay item "Retaining Wall (Special)".  
Reinforcement & Concrete for panels and pile encasement are included in the pay items "Retaining Wall (Special)", "Drilling & Setting Soldier Piles (In Soil)" or "Drilling & Setting Soldier Piles (In Rock)".

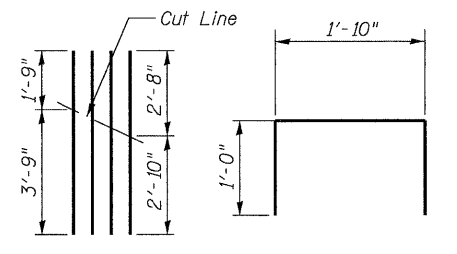
BILL OF MATERIALS \*\*\*

Bar	No.	Size	Length	Shape
V (E)	1102	#4	1'-9"	—
V <sub>1</sub> (E)	46	#4	2'-6"	—
V <sub>2</sub> (E)	5069	#4	2'-9"	—
V <sub>3</sub> (E)	22	#4	2'-6"	—
V <sub>4</sub> (E)	4	#4	5'-6"	—
V <sub>5</sub> (E)	4	#4	6'-6"	—
v <sub>6</sub>	60	#6	8'-0"	—
v <sub>7</sub>	324	#6	10'-0"	—
v <sub>8</sub>	288	#6	11'-0"	—
v <sub>9</sub>	912	#6	11'-10"	—
v <sub>10</sub>	1020	#6	12'-4"	—
H (E)	470	#5	9'-6"	—
H <sub>1</sub> (E)	1365	#7	9'-6"	—
H <sub>2</sub> (E)	7383	#4	4'-6"	—



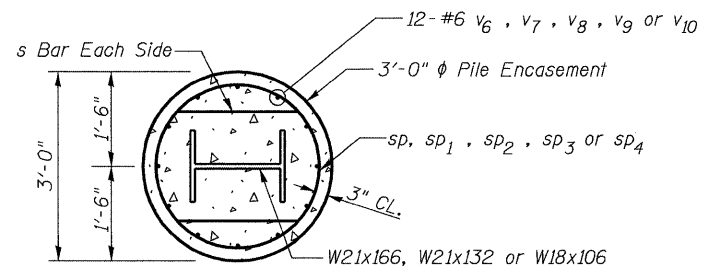
V<sub>1</sub> (E) BARS

V<sub>3</sub> (E) BARS

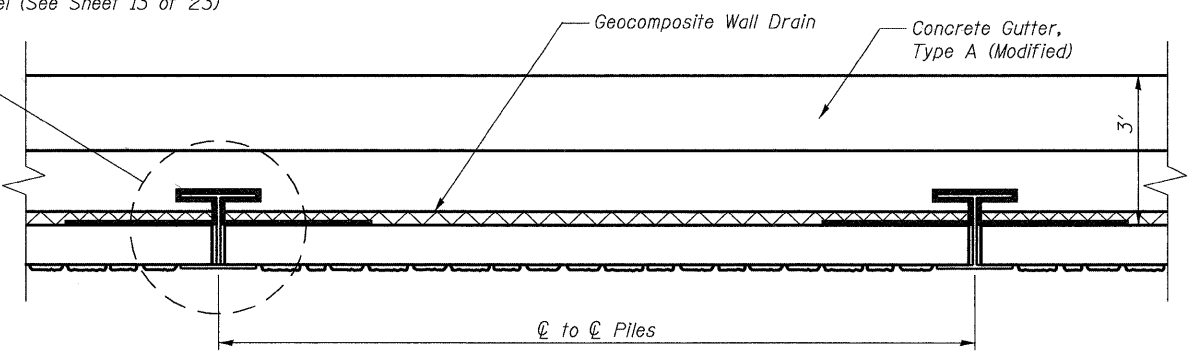
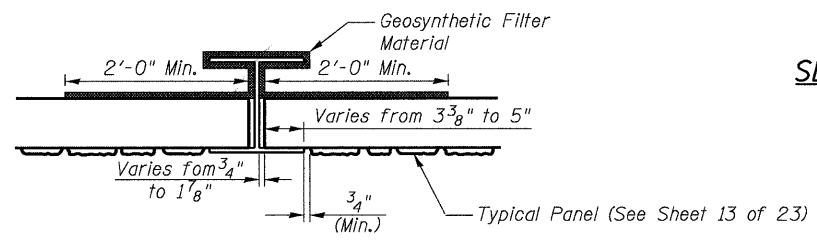


V<sub>4</sub> (E) BARS

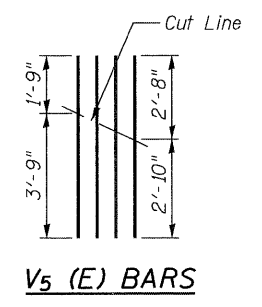
s BARS



SECTION B-B



PLAN



V<sub>5</sub> (E) BARS

WALL DETAILS  
STRUCTURE NO. 071-7004

DESIGNED	JMW
CHECKED	DFM
DRAWN	CTH
CHECKED	DFM

- \*\* sp 5 #4 8'-0"
- \*\* sp1 27 #4 10'-0"
- \*\* sp2 24 #4 11'-0"
- \*\* sp3 76 #4 11'-10"
- \*\* sp4 85 #4 12'-4"

Reinforcement Bars, Epoxy Coated	Pounds	64,120
Reinforcement Bars	Pounds	63,210
Concrete Structures	Cu. Yd.	624.2

\*\*Length is height for spiral.  
\*\*\*For information only.

SHEET NO. 14 23 SHEETS	F.A.P. RTE. 742	SECTION 37R-4	COUNTY OGLE	TOTAL SHEETS 867	SHEET NO. 226
	CONTRACT NO. 64E17				
FED. ROAD DIST. NO. 7 ILLINOIS FED. AID PROJECT					