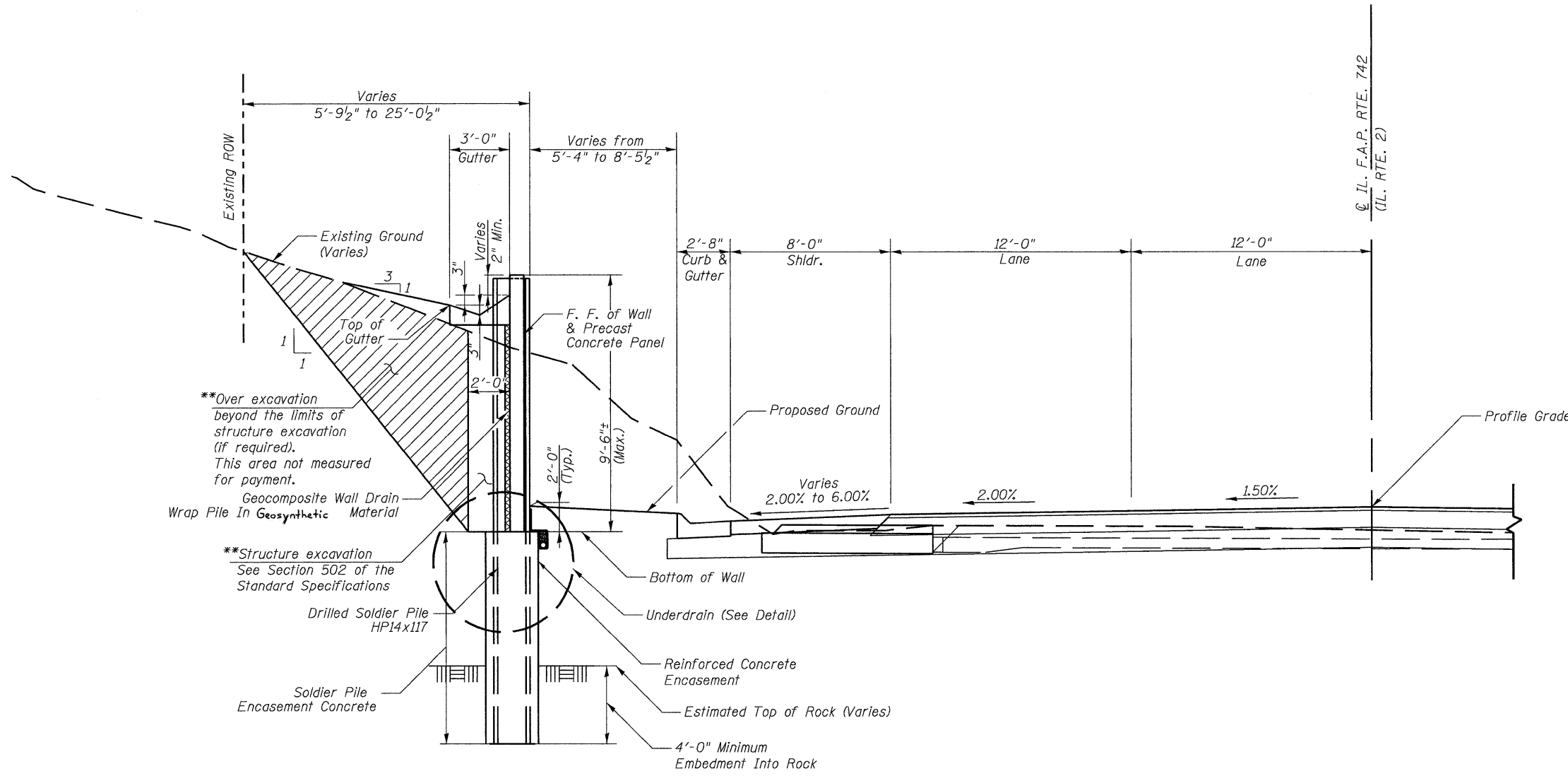
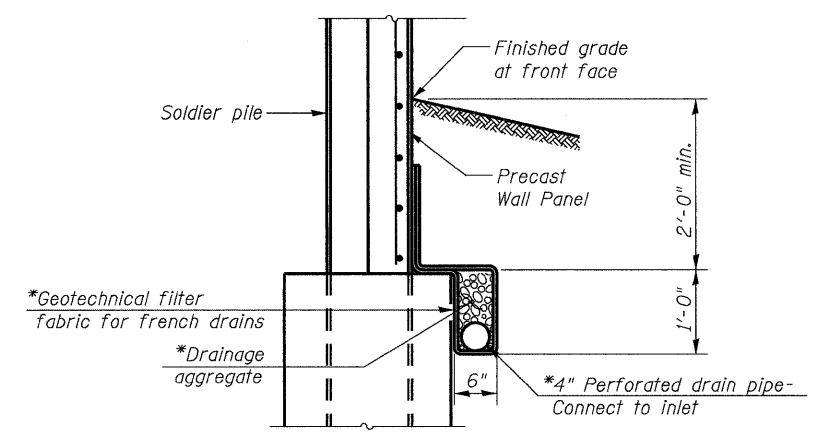


STATE OF ILLINOIS
DEPARTMENT OF TRANSPORTATION

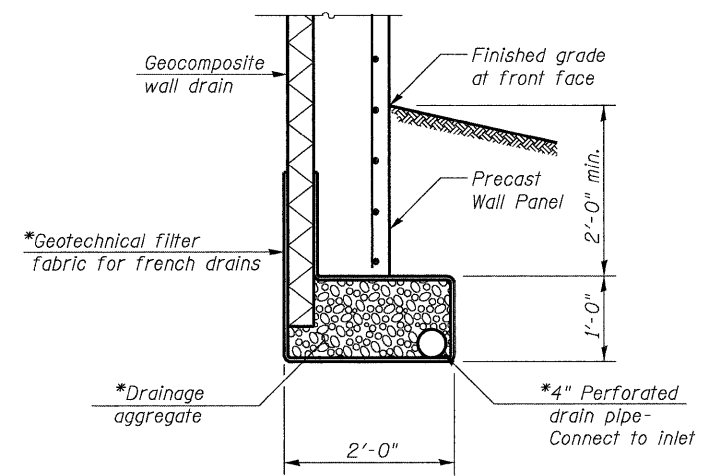


* Included in the cost of pipe underdrains for structures.
 ** Backfill remainder of structure excavation and over excavation with Granular Backfill. Cost included in structure excavation.

RETAINING WALL TYPICAL SECTION
STA. 727+02.00 TO STA. 740+58.00
(LOOKING NORTHEAST)



UNDERDRAIN DETAIL
AT SOLDIER PILES



UNDERDRAIN DETAIL
BETWEEN SOLDIER PILES

Note:
 See sheets 5 & 6 of 11 for HP14x117 location and spacing.
 Precast panels will be finished with a uniform Ashlar Stone pattern with a horizontal break every 1'-0" vertically. See sheet 7 of 11.

DETAILS
STRUCTURE NO. 071-7006

DESIGNED	CTH
CHECKED	DFM
DRAWN	CTH
CHECKED	DFM

SHEET NO. 4	F.A.P. RTE.	SECTION	COUNTY	TOTAL SHEETS	SHEET NO.
	742	37R-4	OGLE	867	257
11 SHEETS		CONTRACT NO. 64E17			
FED. ROAD DIST. NO. 7 ILLINOIS FED. AID PROJECT					