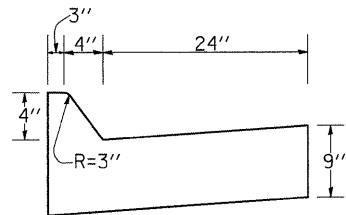
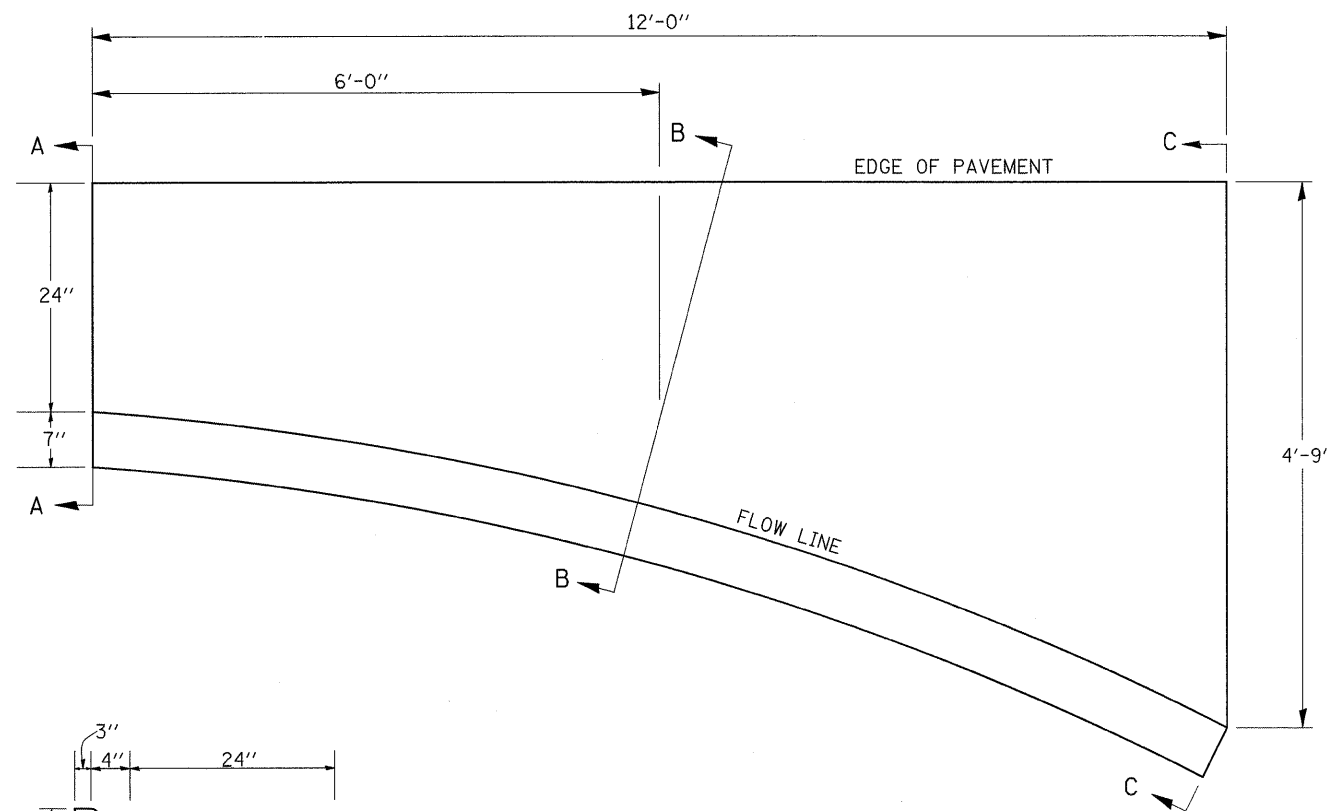
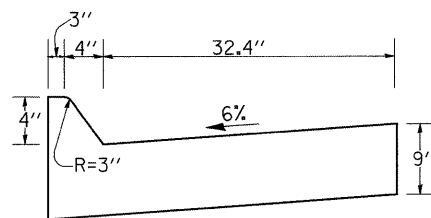


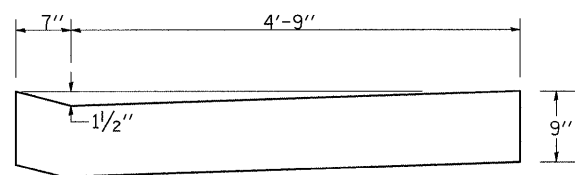
STANDARD INLET FOR CURB & GUTTER TYPE M-4.24



SECTION A-A



SECTION B-B



SECTION C-C

NOTES

Class SI Concrete shall be used throughout.

The Curb and Gutter Inlet will be paid for at the contract unit price per cubic yard for Class SI Concrete (OUTLETS).

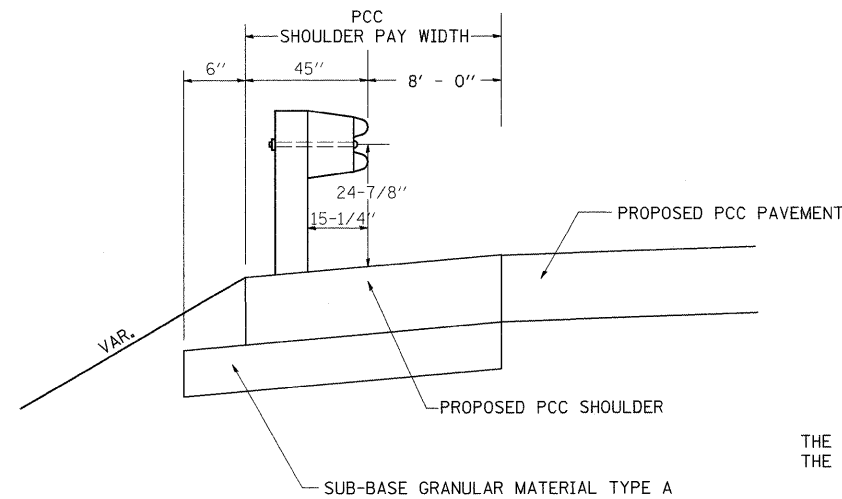
Joints shall be constructed in accordance with the requirements of Article 606.07 of the Standard Specifications.

When curb and gutter is constructed adjacent to flexible pavement, a 1" expansion joint shall be installed at construction joints.

- QUANTITY -

Section A-A to C-C
(1.20 Cu. Yds.)
Class SI Concrete

DETAIL OF SHOULDER AT GUARDRAIL

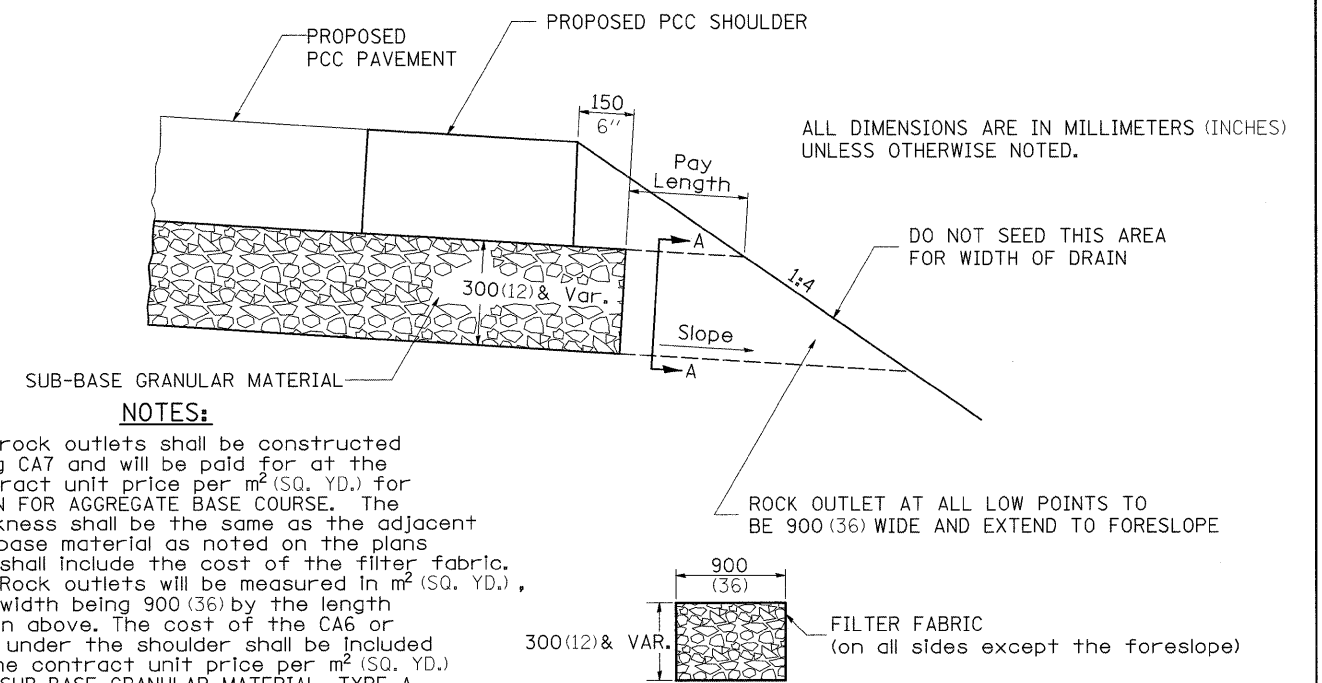


GENERAL NOTES

THE HEIGHT OF THE GUARD RAIL SHALL BE SET 24 7/8 INCHES FROM THE FINISHED SURFACE.

DETAIL OF SHOULDER AT GUARDRAIL

DRAIN FOR AGGREGATE BASE COURSE



NOTES:

The rock outlets shall be constructed using CA7 and will be paid for at the contract unit price per m² (SQ. YD.) for DRAIN FOR AGGREGATE BASE COURSE. The thickness shall be the same as the adjacent sub-base material as noted on the plans and shall include the cost of the filter fabric. The Rock outlets will be measured in m² (SQ. YD.), the width being 900 (36) by the length shown above. The cost of the CA6 or CA10 under the shoulder shall be included in the contract unit price per m² (SQ. YD.) for SUB-BASE GRANULAR MATERIAL, TYPE A of the thickness specified. The filter fabric to be used shall conform to the filter fabric used for Riprap.

SECTION A-A

NOTE: Slope same as shoulder with 2% min.

FILE NAME =	USER NAME = grantpm	DESIGNED -	REVISED -	STATE OF ILLINOIS DEPARTMENT OF TRANSPORTATION	SPECIAL DETAILS	F.A.P. RTE.	SECTION	COUNTY	TOTAL SHEETS	SHEET NO.
ct:\pwwork\pwidot\GRANTPM\dms31213\d06608apl.dgn	PLOT SCALE = 50.0000' / IN.	DRAWN -	REVISED -			742	3TR-4	OGLE	867	440
PLOT DATE = Tue Mar 30 09:21:57 2010	DATE -	CHECKED -	REVISED -			CONTRACT NO. 64E17				
		DATE -	REVISED -			FED. ROAD DIST. NO. ILLINOIS FED. AID PROJECT				
						SCALE:	SHEET NO. 1 OF 2 SHEETS	STA.	TO STA.	