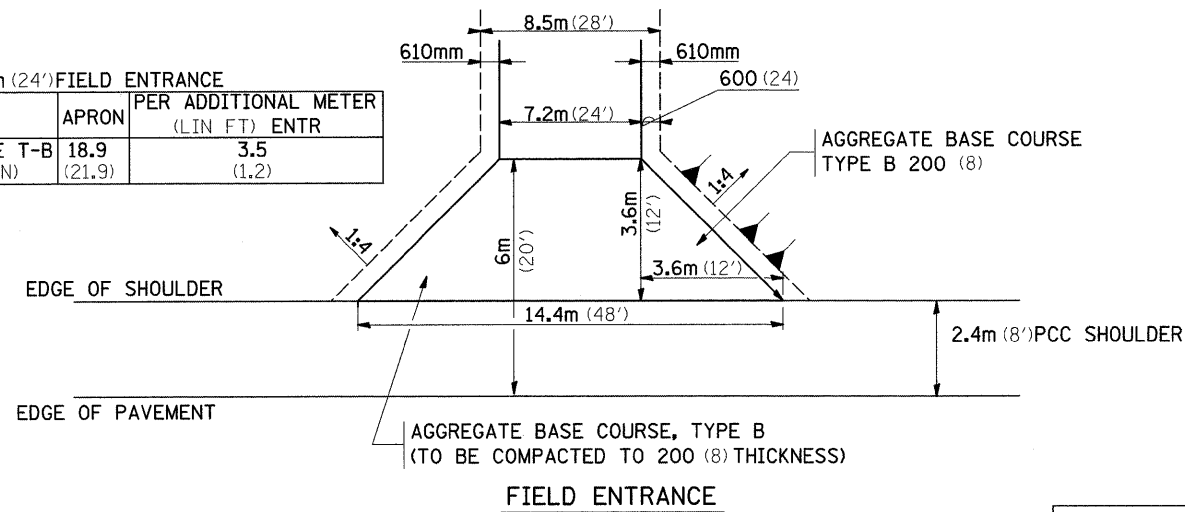


# ENTRANCES AND SIDEROADS WITH 8' PCC SHOULDERS

7.2m (24') FIELD ENTRANCE		
	APRON	PER ADDITIONAL METER (LIN FT) ENTR
AGG BASE CSE T-B M TON (TON)	18.9 (21.9)	3.5 (1.2)

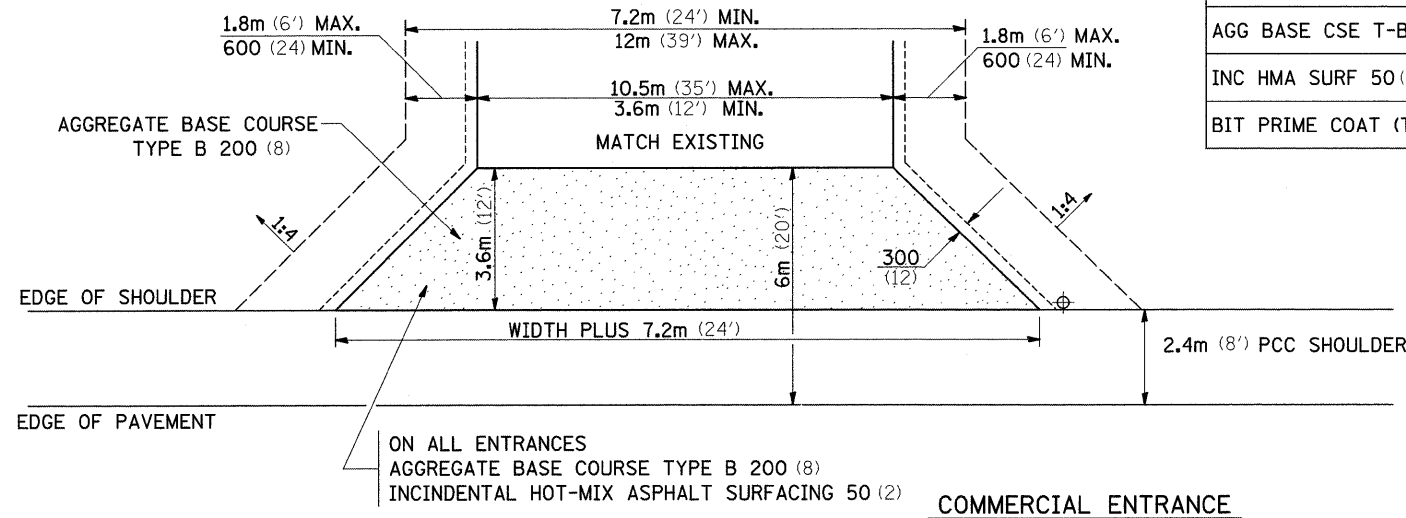


**FIELD ENTRANCE**

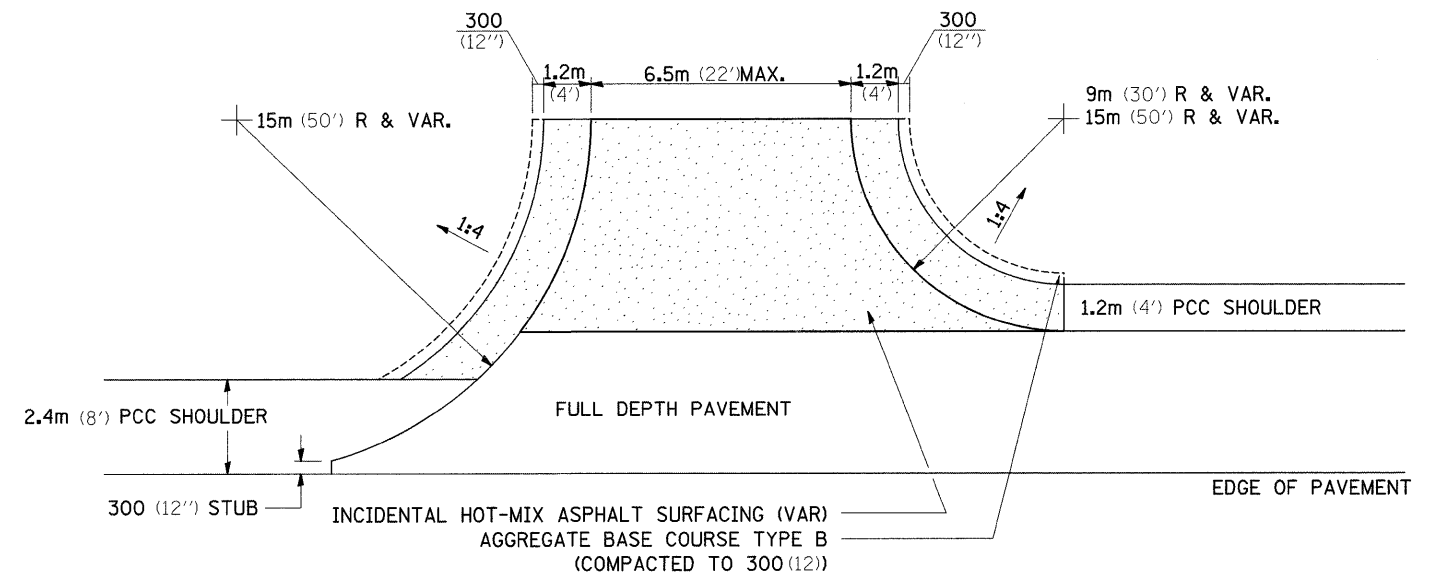
	COMMERCIAL ENTRANCE		PER METER ENTR (FOOT)	
	3.6m (12')	10.5m (35')	3.6m (12')	10.5m (35')
AGG BASE CSE T-B (TON)	14.3 (15.8)	27.0 (29.8)	0.64 (0.70)	1.70 (1.87)
INC HMA SURF 50 (2) (TON)	3.3 (3.6)	6.35 (7.0)	0.14 (0.15)	0.40 (0.44)
BIT PRIME COAT (TON)	0.042 (0.046)	0.082 (0.090)	0.002 (0.002)	0.005 (0.006)

**NOTE**

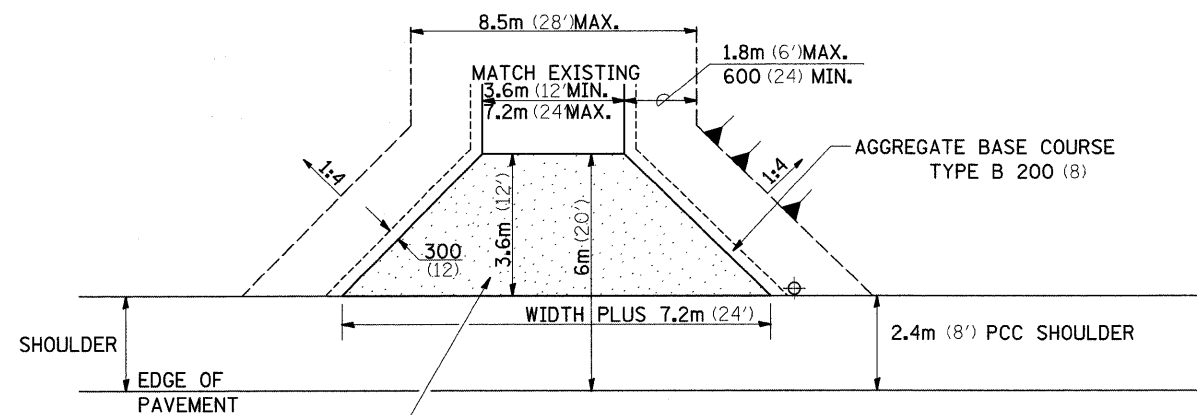
- ① ALL PE & CE ARE TO BE INCIDENTAL HOT-MIX ASPHALT SURFACED TO RIGHT OF WAY LINE. AREA BEHIND RIGHT OF WAY SHALL MATCH EXISTING SURFACE.
- ② FE ARE TO BE AGGREGATE TO RIGHT OF WAY OR TOUCH DOWN, WHICH EVER IS GREATEST.
- ③ QUANTITIES ARE CALCULATED WITH 2.4M (8') PCC SHOULDER IN PLACE. AGGREGATE QUANTITIES SHOWN ARE FOR NEW CONSTRUCTION.
- ④ EXCAVATION REQUIRED FOR PLACEMENT OF AGGREGATE BASE COURSE SHALL BE CONSIDERED INCLUDED TO THE AGGREGATE BASE COURSE.
- ⑤ ALL DIMENSIONS ARE IN MILLIMETERS (INCHES) UNLESS OTHERWISE NOTED.
- ⑥ SEE PAVEMENT JOINT DETAILS, PAVEMENT ELEVATION DETAILS, AND TYPICALS FOR ALL SIDEROAD LIMITS AND DIMENSIONS.



**COMMERCIAL ENTRANCE**



**SIDEROAD RETURN (SEE NOTE 6)**



**PRIVATE ENTRANCE**

	3.6m (12') PRIVATE ENTRANCE		PER METER ENTR (FOOT)	
	3.6m (12')	7.2m (24')	3.6m (12')	7.2m (24')
AGG BASE CSE T-B (TON)	14.3 (15.8)	21.0 (23.1)	0.64 (0.70)	1.20 (1.32)
INC HMA SURF 50 (2) (TON)	3.3 (3.6)	4.9 (5.4)	0.14 (0.15)	0.27 (0.30)
BIT PRIME COAT (TON)	0.042 (0.046)	0.063 (0.069)	0.002 (0.002)	0.004 (0.004)

FILE NAME =	USER NAME = grantpm	DESIGNED -	REVISED - 1-15-08
ct:\pw_work\FWIDOT\GRANTPM\dms31213\080620sp1.dgn		DRAWN -	REVISED -
PLOT SCALE = 50.0000' / IN.		CHECKED -	REVISED -
PLOT DATE = Tue Mar 30 09:22:00 2010		DATE -	REVISED -

STATE OF ILLINOIS  
DEPARTMENT OF TRANSPORTATION

ENTRANCES AND SIDEROADS  
WITH 8' PCC SHOULDERS

F.A.P. RTE.	SECTION	COUNTY	TOTAL SHEETS	SHEET NO.
742	37R-4	OGLE	867	442
CONTRACT NO. 64E17				
FED. ROAD DIST. NO. ILLINOIS FED. AID PROJECT				

ENTRANCES AND SIDEROADS WITH 8' PCC SHOULDERS