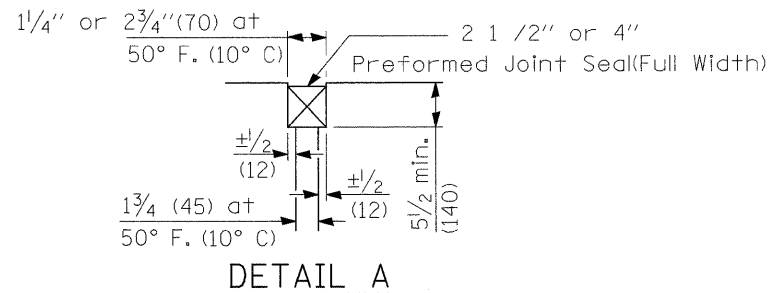
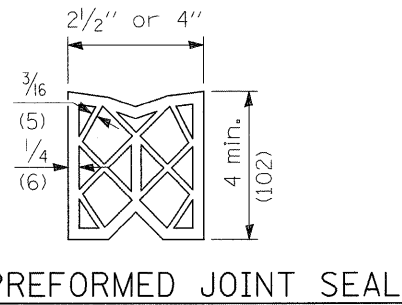
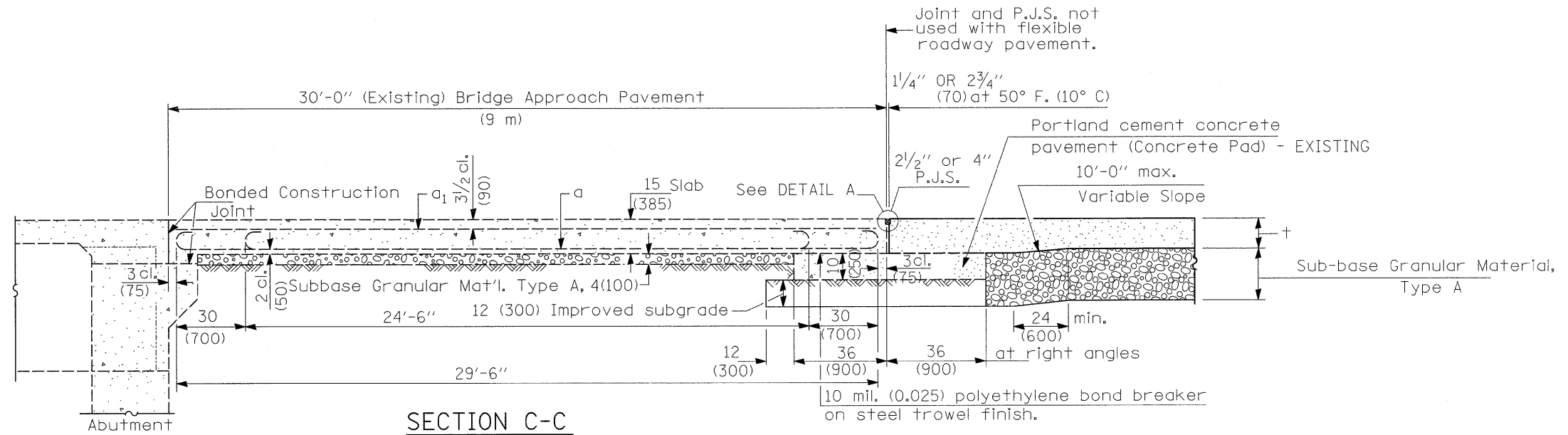


EXISTING BRIDGE APPROACH PAVEMENT DETAIL



"FOR INFORMATION ONLY"
(SEE SCHEDULE FOR LOCATIONS)

FILE NAME =	USER NAME = grantpm	DESIGNED -	REVISED -	STATE OF ILLINOIS DEPARTMENT OF TRANSPORTATION	EXISTING BRIDGE APPROACH PAVEMENT DETAIL	F.A.P. RTE.	SECTION	COUNTY	TOTAL SHEETS	SHEET NO.	
ct:\pw_work\pwidot\GRANTPM\dms31213\08628ep1.dgn		DRAWN -	REVISED -			742	37R-4	OGLE	867	443	
PLOT SCALE = 50,0000 ' / IN.		CHECKED -	REVISED -			SCALE:		SHEET NO. OF SHEETS		STA. TO STA.	
PLOT DATE = Tue Mar 30 09:22:01 2010		DATE -	REVISED -			ILLINOIS FED. AID PROJECT					