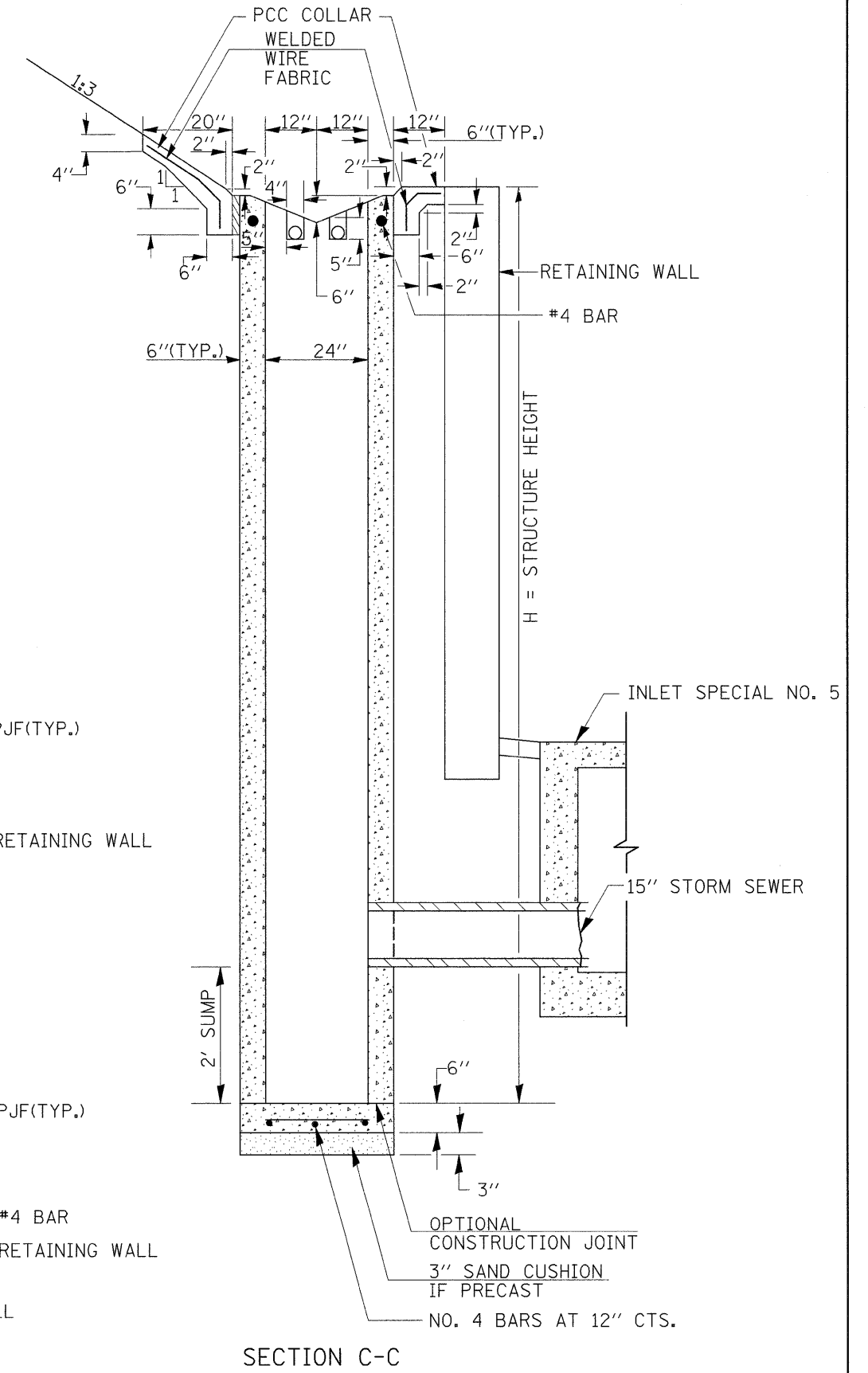
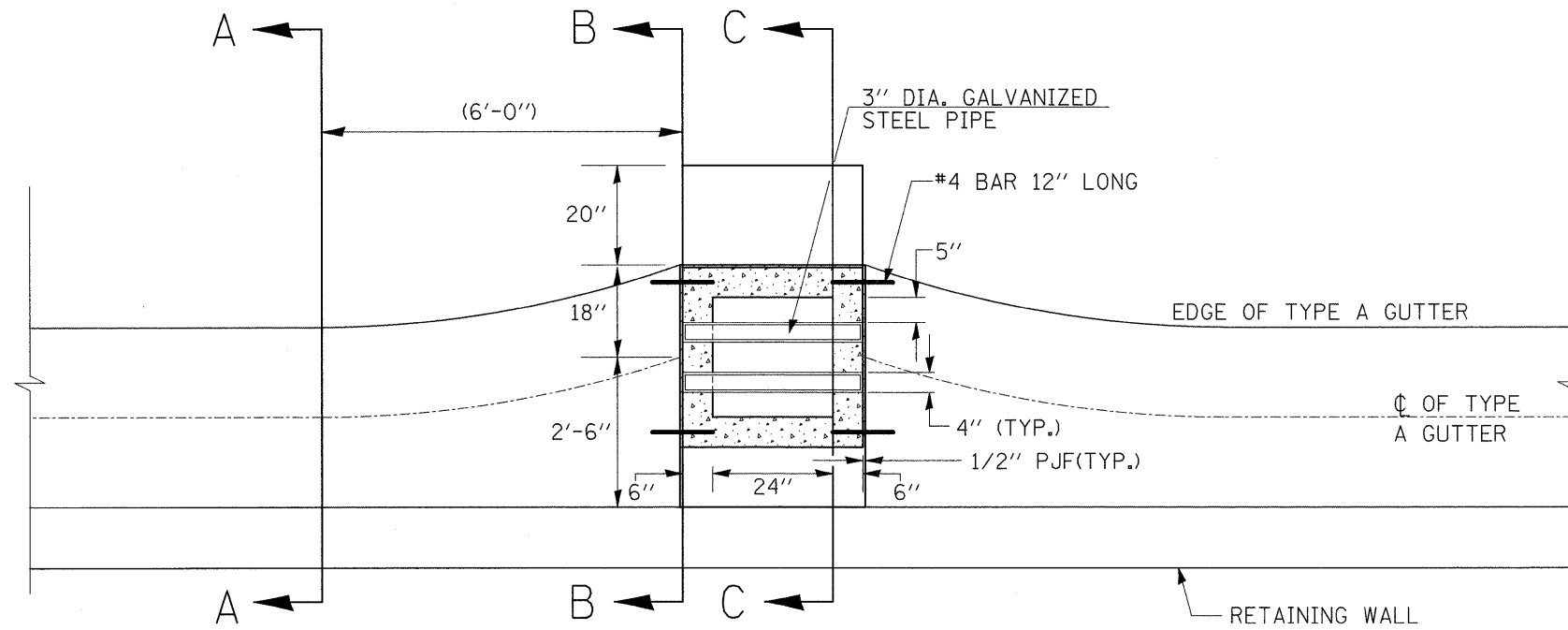
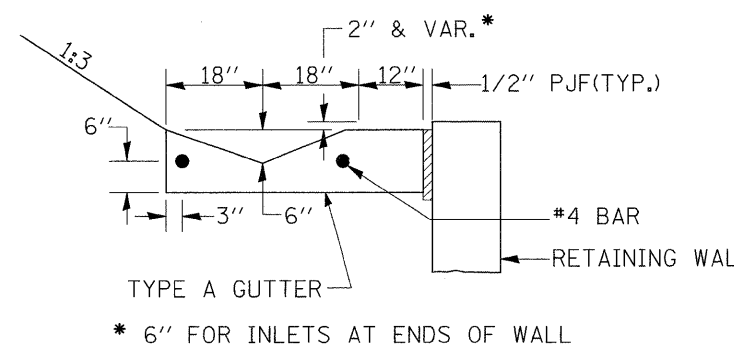
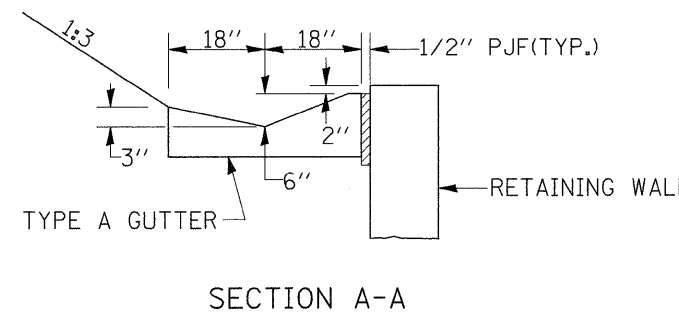


INLETS, SPECIAL (Wall Offset Locations)



NOTES:

- 1) EXCEPT AS NOTED HEREON INLETS, SPECIAL SHALL BE CONSTRUCTED IN ACCORDANCE WITH SECTION 602 OF THE STANDARD SPECIFICATIONS.
- 2) THE CONTRACT UNIT PRICE "EACH" FOR INLETS, SPECIAL SHALL INCLUDE THE COST OF CONSTRUCTING THE INLET BOX, FURNISHING AND INSTALLING THE GALVANIZED STEEL PIPE, THE PRECAST FLOOR SLAB, PCC COLLAR, WELDED WIRE FABRIC, SAND CUSHION (WHEN USED) AND REINFORCEMENT BARS.
- 3) CLASS SI CONCRETE OR PRECAST CONCRETE SHALL BE USED THROUGHOUT. PRECAST CONCRETE SHALL BE IN ACCORDANCE WITH SECTION 504.01 THRU 504.05 OF THE STANDARD SPECIFICATIONS EXCEPT THAT CONCRETE STRENGTH SHALL BE 27.5 MPa (4,000 PSI) AFTER 28 DAYS.
- 4) REINFORCEMENT BARS SHALL CONFORM TO A.S.T.M A-53 (TYPE E OR S) GRADE B, SCHEDULE 40, AND SHALL BE GALVANIZED CONFORMING TO A.S.T.M. A-120.
- 5) THE SIDE WALLS MAY BE BUILT AS PRECAST SEGMENTED SECTIONS.
- 6) ALL VOIDS AROUND PIPE ENTRANCE, BOTH INSIDE AND OUTSIDE, SHALL BE SEALED WITH MORTAR.



* 6" FOR INLETS AT ENDS OF WALL

FILE NAME =	USER NAME = grantpm	DESIGNED -	REVISED -	STATE OF ILLINOIS DEPARTMENT OF TRANSPORTATION	INLETS, SPECIAL (Wall Offset Locations)	F.A.P. RTE. 742	SECTION 37R-4	COUNTY OGLE	TOTAL SHEETS 867	SHEET NO. 452
CONTRACT NO. 64E17	CONTRACT NO. 64E17					ILLINOIS FED. AID PROJECT				
PLOT SCALE = 50.0000' / IN.	CHECKED -	REVIS	REVIS			SCALE:	SHEET NO. OF SHEETS STA. TO STA.			
PLOT DATE = Tue Mar 30 09:22:06 2010	DATE -	REVIS	REVIS							