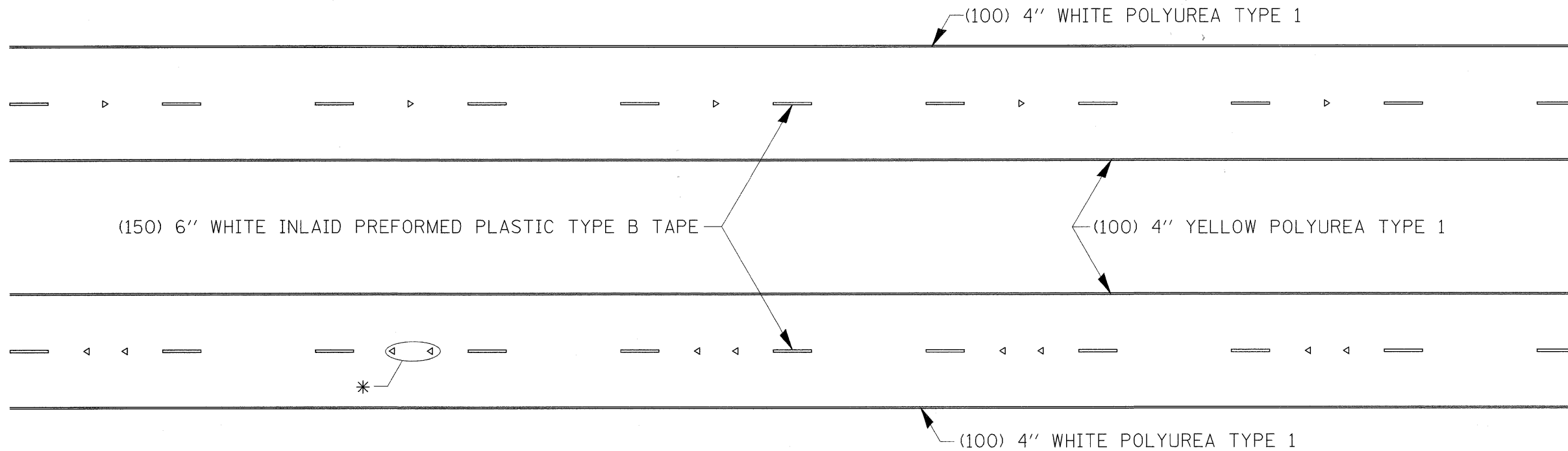
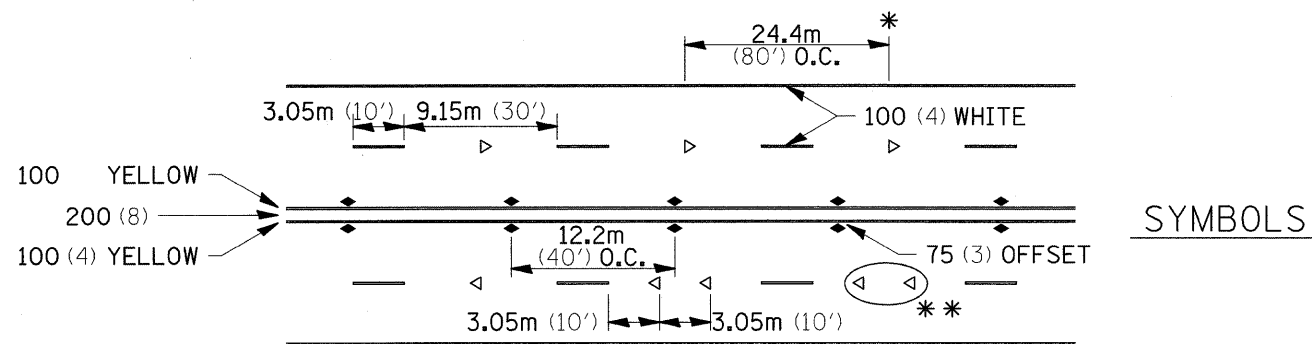


TYPICAL PAVEMENT MARKINGS



* SEE HIGHWAY STANDARD 781001 FOR SPACING DETAILS.
USE DOUBLE MARKERS WHEN ADT ≥ 25,000.

MULTI-LANE / DIVIDED

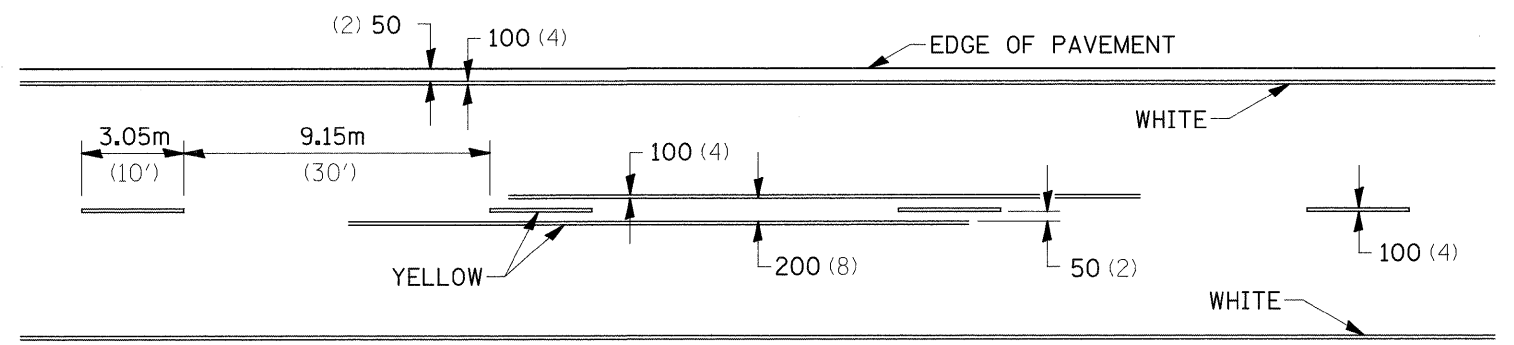


* REDUCE TO 12.2m (40') O.C. ON CURVES WHERE ADVISORY SPEEDS ARE 15Km/H (10MPH) LOWER THAN POSTED SPEEDS.

** USE DOUBLE MARKERS WHEN ADT ≥ 25,000

MULTI-LANE / UNDIVIDED

TYPICAL PAVEMENT MARKING FOR TWO LANE SECTION - NO PASSING ZONES



FILE NAME =	USER NAME = grantpm	DESIGNED -	REVISED - 10-21-08	STATE OF ILLINOIS DEPARTMENT OF TRANSPORTATION	REGION 2 / DISTRICT 2 STANDARD			F.A.P. RTE. 742	SECTION 37R-4	COUNTY OGLE	TOTAL SHEETS 867	SHEET NO. 481
oi\pav_work\PIWIDOT\GRANTPM\dms31213\086698pl.dgn	PLOT SCALE = 50.0000" / IN.	CHECKED -	REVISED -					SCALE:	SHEET NO.	OF SHEETS	STA.	TO STA.
	PLOT DATE = Tue Mar 30 09:22:44 2010	DATE -	REVISED -		TYPICAL PAVEMENT MARKINGS SHEET 3 OF 3							
					41.1							