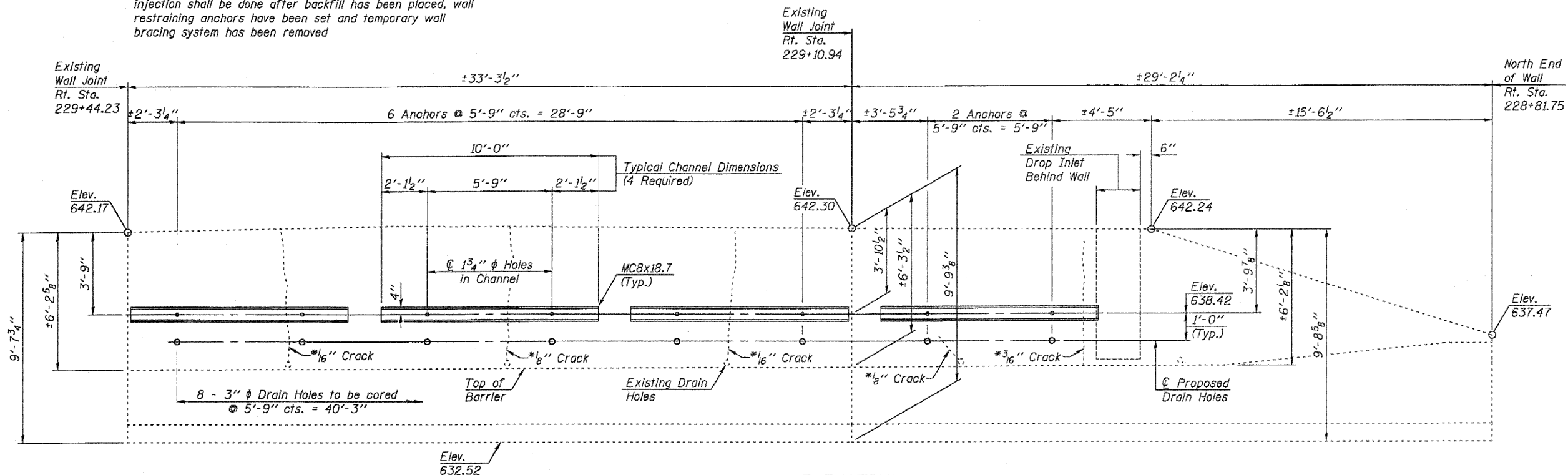


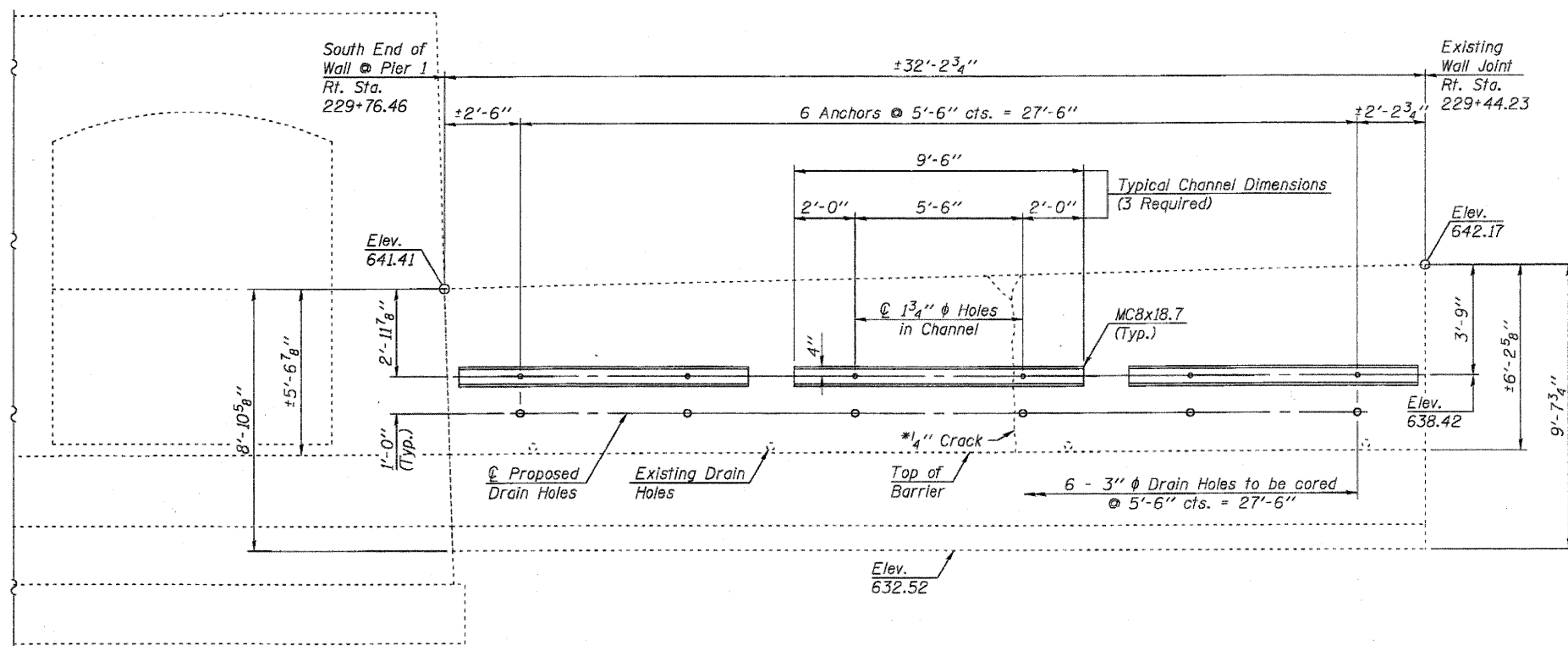
STATE OF ILLINOIS  
DEPARTMENT OF TRANSPORTATION

\*Note: Vertical cracks in existing retaining wall at existing drain holes to be injected with epoxy bonding compound. Crack injection shall be done after backfill has been placed, wall restraining anchors have been set and temporary wall bracing system has been removed



**ELEVATION**

(Sta. 228+81.75 to Sta. 229+44.23)  
(Looking West @ Front Face of wall and Wale System)



**ELEVATION**

(Sta. 229+44.23 to Sta. 229+76.46)  
(Looking West @ Front Face of wall and Wale System)

**WALL RESTRAINING ANCHOR DETAILS**  
**AROMA PARK RD. OVER F.A.I. 57**  
**SECTION (46-3) I-2**  
**KANKAKEE COUNTY**  
**STATION 229+29.11**  
**S.N. 046-8803**

DESIGNED -	J.A.M.
CHECKED -	A.R.K.
DRAWN -	S.A.P.
CHECKED -	A.R.K. & J.A.M.

**F** **FEHR-GRAHAM & ASSOCIATES, LLC**  
ENGINEERING AND SCIENCE CONSULTANTS  
FREEPORT, IL ROCKFORD, IL ROCHELLE, IL MONROE, WI SPRINGFIELD, IL  
4440 ASH GROVE SPRINGFIELD, IL 62711 (217) 783-9600 www.fehr-graham.com

SHEET NO. 3 4 SHEETS	F.A.I. RTE.	SECTION	COUNTY	TOTAL SHEETS	SHEET NO.
	57	(46-3) I-2	KANKAKEE	10	9
CONTRACT NO. 66A23					
FED. ROAD DIST. NO.		ILLINOIS	FED. AID PROJECT		