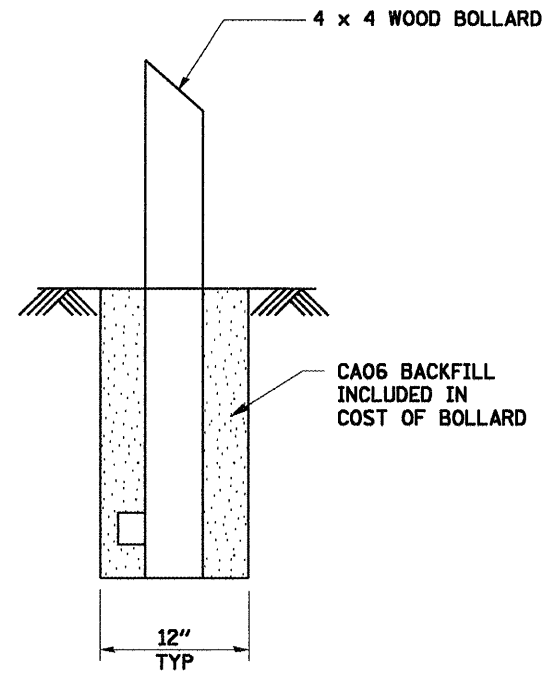


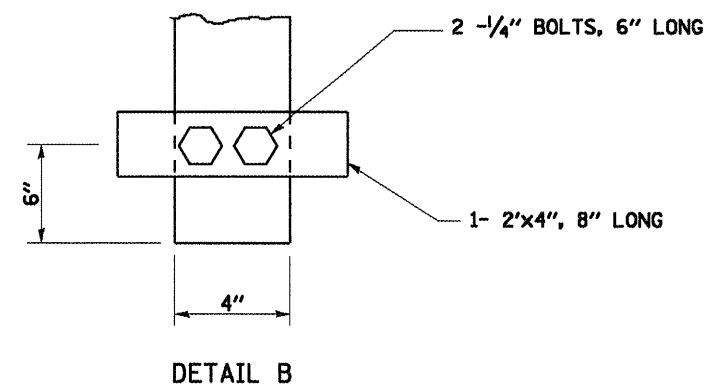
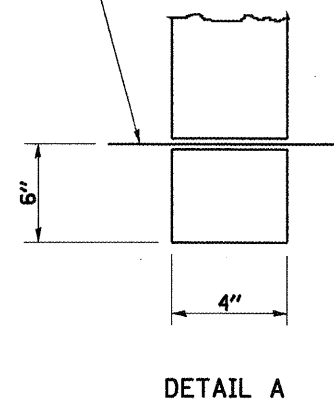
TOPS OF BOLLARDS SHALL BE SLOPED SO WATER DOES NOT PUDDLE



NOTES:

- ① WOOD BOLLARD INSTALLATION SHALL INCLUDE EITHER DETAIL "A" OR "B"
- ② FIVE (5) BOLLARDS SHALL BE PLACED AT EACH LOCATION IDENTIFIED IN THE PLANS. THE WORK OF FURNISHING AND INSTALLING BOLLARDS WILL BE MEASURED AND PAID FOR AT THE CONTRACT UNIT PRICE EACH FOR BOLLARDS.
- ③ EXISTING BOLLARDS SHALL BE REMOVED AND PAID FOR AT THE CONTRACT UNIT PRICE EACH FOR BOLLARD REMOVAL.

1-5# BAR 10" LONG, DRIVEN THRU 5/8" HOLE DRILLED THRU WOOD BOLLARD



• 86-10RS-3, 69-6RS-2, 69-1RS
•• SCOTT, MORGAN

| | | | |
|--|--|------------|-----------|
| FILE NAME = | USER NAME = laughlinr1 | DESIGNED - | REVISED - |
| ca:\work\PM1007\LAUGHLINR1\0196720\ | 672A16-Shr-detail.dgn | DRAWN - | REVISED - |
| Johnson, Depp & Oulsenberry CONSULTING ENGINEERS Springfield, Illinois | PLOT SCALE = 100.0000' / IN. PLOT DATE = Apr-06-2010 10:31:00AM | CHECKED - | REVISED - |
| | | DATE - | REVISED - |

STATE OF ILLINOIS
DEPARTMENT OF TRANSPORTATION

WOOD BOLLARD DETAIL

SCALE: SHEET NO. OF SHEETS STA. TO STA.

| | | | | |
|---|---------|--------|--------------------|-----------|
| F.A.I. RTE. | SECTION | COUNTY | TOTAL SHEETS | SHEET NO. |
| 72 | . | .. | 48 | 46 |
| FED. ROAD DIST. NO. ILLINOIS FED. AID PROJECT | | | CONTRACT NO. 72A16 | |