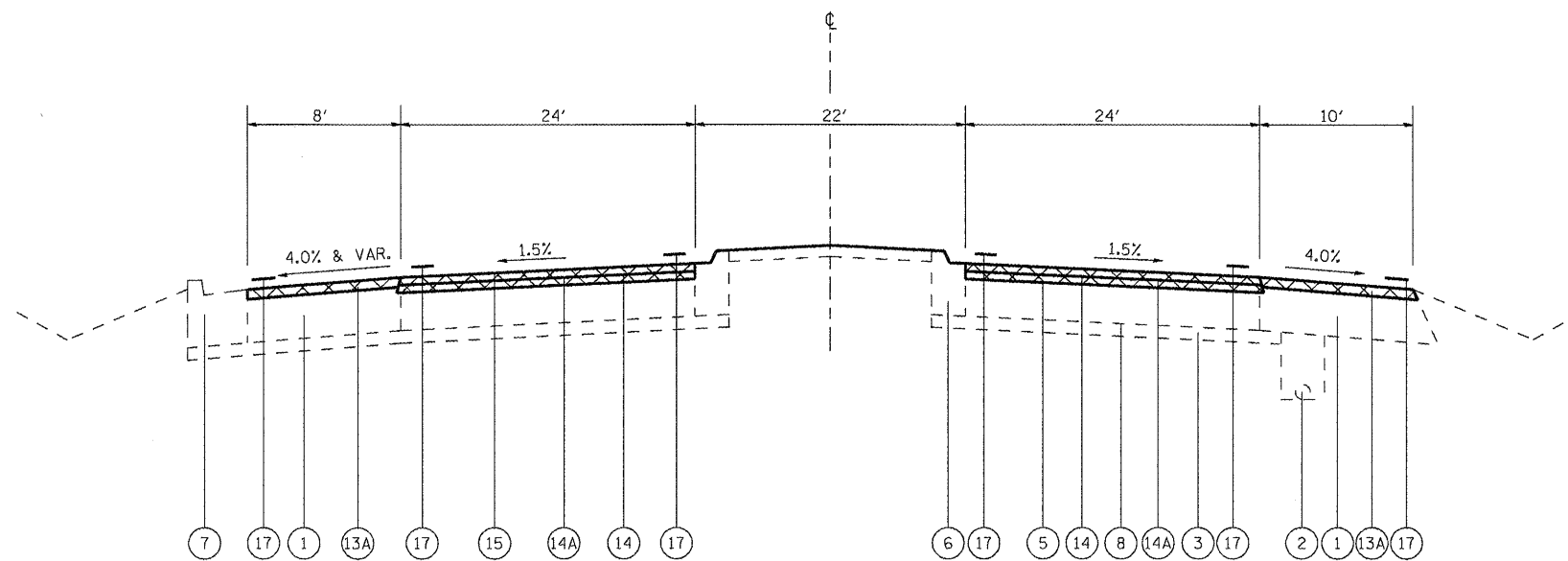


STA 555+00.00 TO STA 559+35.71



STA 583+50.00 TO STA 600+50.00

LEGEND

- ① EX HOT-MIX ASPHALT SHOULDERS, 10 1/2"
- ② EX PIPE UNDERDRAIN
- ③ EX STABILIZED SUBBASE 4"
- ④ EX PCC PAVEMENT 9"-6"-9"
- ⑤ EX HOT-MIX ASPHALT SURFACE, 2 1/2"
- ⑥ EX CONCRETE CURB & GUTTER B 9.24
- ⑦ EX CONCRETE CURB & GUTTER B 6.24
- ⑦A EX CONCRETE CURB & GUTTER M6.06
- ⑧ EX PCC PAVEMENT 8"
- ⑨ EX PCC BASE COURSE 9"
- ⑩ EX COMBINATION CURB & GUTTER TYPE B 6.18
- ⑪ EX SUBBASE GRANULAR MATERIAL, TYPE B 12" & VAR.
- ⑫ EX HOT-MIX ASPHALT CONCRETE BASE COURSE 10"
- ⑬ EX HOT-MIX ASPHALT CONCRETE SURFACE COURSE, MIX E, CLASS 1, TYPE 2
- ⑬A PR PAVED SHOULDER REMOVAL, 1 1/2"
- ⑭ PR HOT-MIX ASPHALT SURFACE REMOVAL 2 1/2"
- ⑭A PR LEVELING BINDER 1"
- ⑮ PR HOT-MIX ASPHALT SURFACE COURSE, MIX "D", N70 - 1 1/2"
- ⑮A PR HOT-MIX ASPHALT SURFACE COURSE, POLYMER MIX "D", N70 - 1 1/2"
- ⑯ PR HOT-MIX ASPHALT SHOULDERS, 8"
- ⑰ PR PAVEMENT MARKING, LINE 5"
- ⑱ PCC SIDEWALK

FILE NAME =	USER NAME = laughlinr1	DESIGNED -	REVISED -
er\pwork\PWIDOT\LAUGHLINRL\dms47710\72C35-sh-typical-129.dgn		DRAWN -	REVISED -
PLOT SCALE = 15.0000' / IN.		CHECKED -	REVISED -
PLOT DATE = Apr-30-2010 11:44:54AM		DATE -	REVISED -

STATE OF ILLINOIS
DEPARTMENT OF TRANSPORTATION

TYPICAL SECTIONS - SECTION "A" IL 29
(OLD IL 29 - J. DAVID JONES PKWY/WALNUT ST)

SCALE: SHEET NO. 2 OF 9 SHEETS STA. TO STA.

F.A.P. RTE. 658	SECTION *	COUNTY SANGAMON	TOTAL SHEETS 206	SHEET NO. 40
			CONTRACT NO. 72C35	
ILLINOIS FED. AID PROJECT				