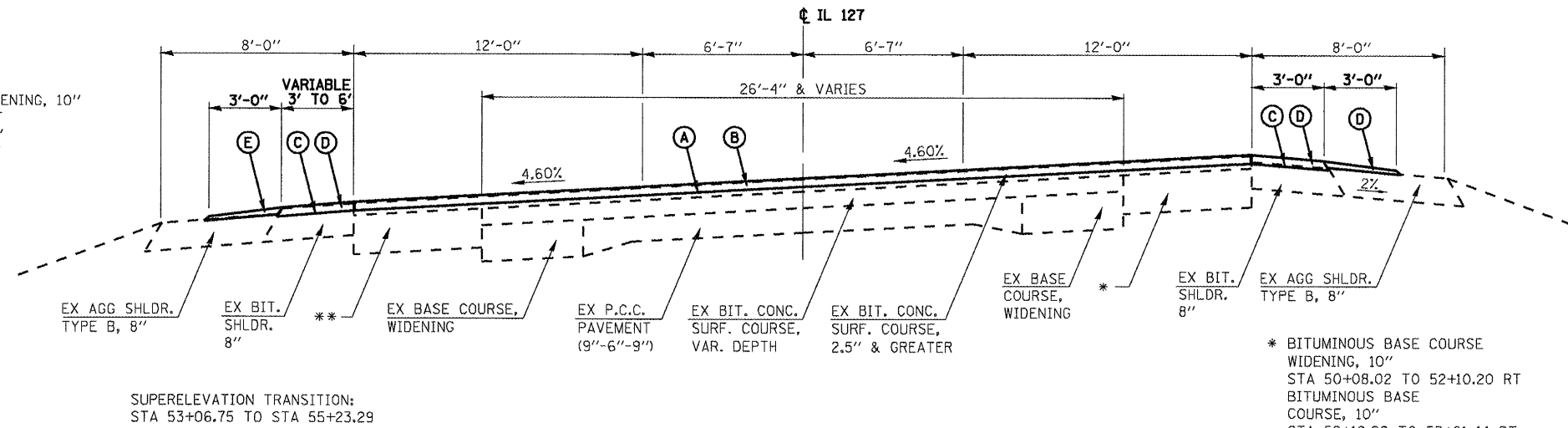
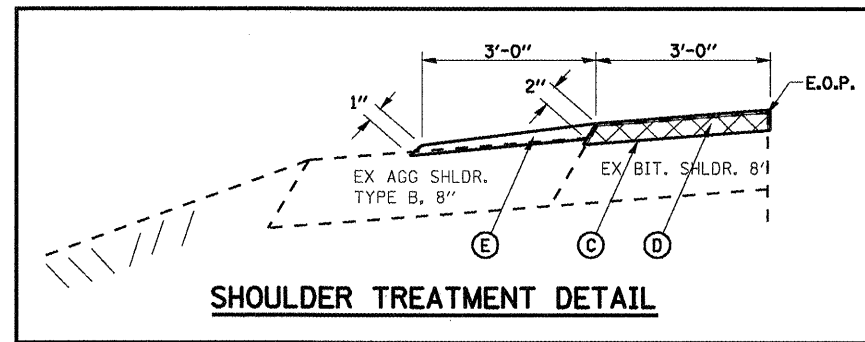


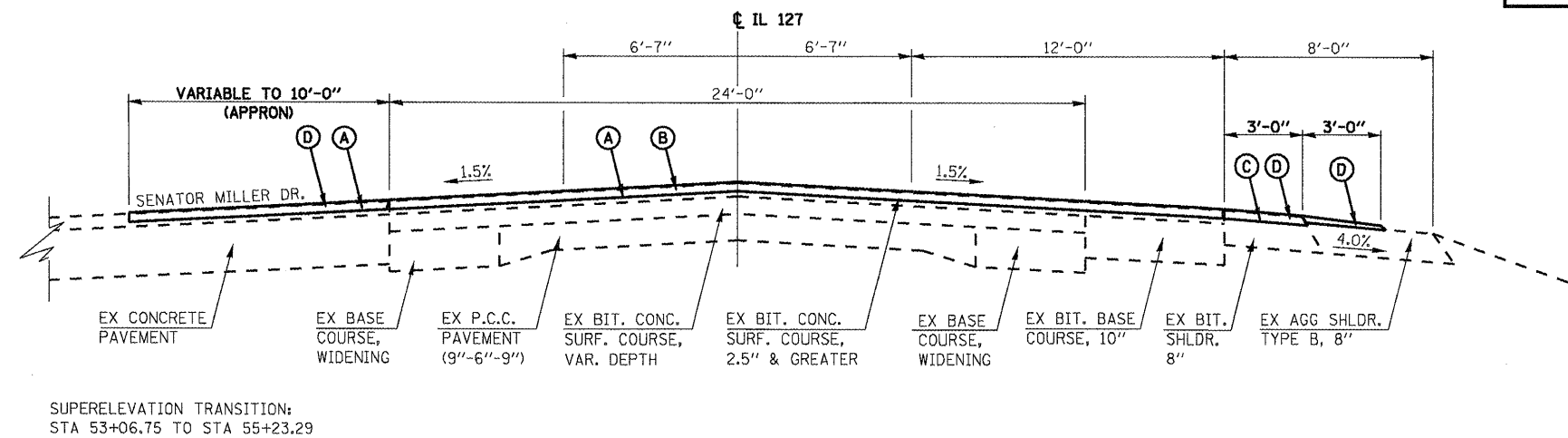
\*\* EXISTING CONCRETE PAVEMENT  
 STA 52+83.98 TO 53+61.44  
 BITUMINOUS BASE COURSE WIDENING, 10"  
 STA 50+08.02 TO 52+06.14 LT  
 BITUMINOUS BASE COURSE, 10"  
 STA 52+06.14 TO 52+83.98 LT



**TYPICAL CROSS SECTION**  
 STA. 50+08.02 TO STA. 53+61.44



LEGEND	
(A)	PROPOSED HOT-MIX ASPHALT SURFACE REMOVAL, 2"
(B)	PROPOSED HOT-MIX ASPHALT SURFACE COURSE, MIX D, N70, 2" DEPTH
(C)	PROPOSED PAVED SHOULDER REMOVAL (2" DEPTH)
(D)	PROPOSED INCIDENTAL HMA SURFACING (2" DEPTH)
(E)	PROPOSED AGGREGATE SHOULDER WEDGE, TYPE B (1.5" AVG. DEPTH)



**TYPICAL CROSS SECTION**  
 STA. 53+61.44 TO STA. 54+80.83

#-20RS-7, 21RS-6, 104RS, 105RS-4  
 #-325, 42

FILE NAME =	USER NAME = laughlinr1	DESIGNED - RTS	REVISED -
c:\pwork\p\1007\LAUGHLIN\RL\0105356\0572052-ahs-typics1.dgn		DRAWN - RTS	REVISED -
PLOT SCALE = 28.0000 ' / IN.		CHECKED -	REVISED -
PLOT DATE = Mon-26-2010 11:59:09AM		DATE - 3-10-10	REVISED -

**STATE OF ILLINOIS  
 DEPARTMENT OF TRANSPORTATION**

SCALE:		SHEET NO. 7 OF 8 SHEETS		STA.	TO STA.
--------	--	-------------------------	--	------	---------

F.A.P. RTE.	SECTION	COUNTY	TOTAL SHEETS	SHEET NO.
..	.	MONTGOMERY	60	12
CONTRACT NO. 72C52				
ILLINOIS FED. AID PROJECT				