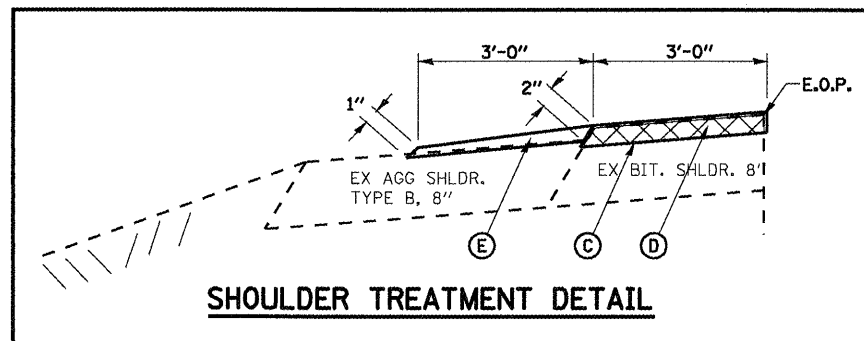


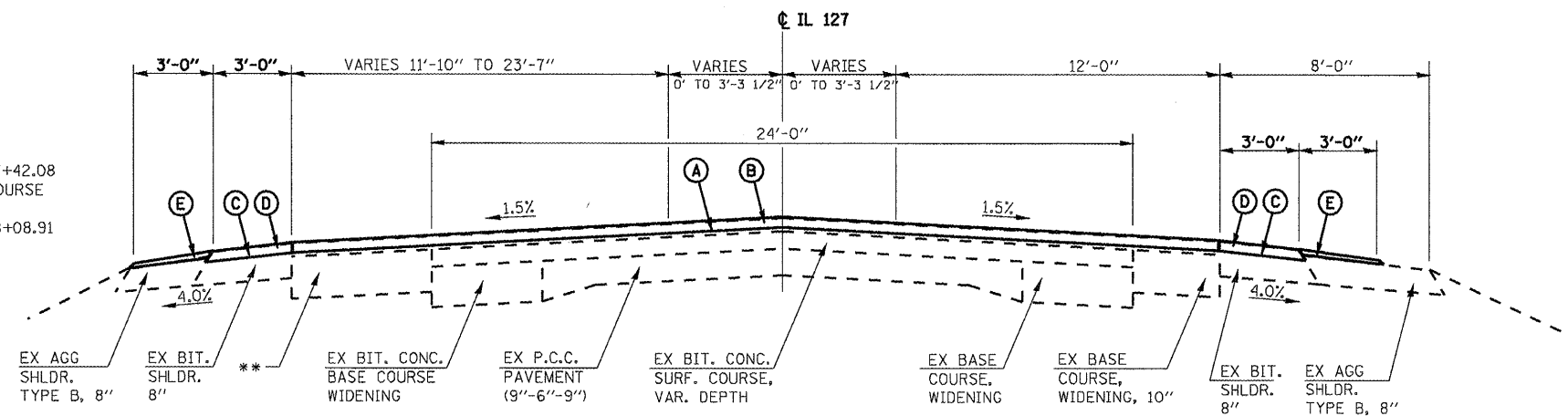
TYPICAL CROSS SECTION
STA. 54+80.83 TO STA. 56+44.87



SHOULDER TREATMENT DETAIL

LEGEND	
(A)	PROPOSED HOT-MIX ASPHALT SURFACE REMOVAL, 2"
(B)	PROPOSED HOT-MIX ASPHALT SURFACE COURSE, MIX D, N70, 2" DEPTH
(C)	PROPOSED PAVED SHOULDER REMOVAL (2" DEPTH)
(D)	PROPOSED INCIDENTAL HMA SURFACING (2" DEPTH)
(E)	PROPOSED AGGREGATE SHOULDER WEDGE, TYPE B (1.5" AVG. DEPTH)

** BITUMINOUS BASE COURSE, 10"
STA 56+44.87 TO 57+42.08
BITUMINOUS BASE COURSE WIDENING, 10"
STA 57+42.08 TO 58+08.91



TYPICAL CROSS SECTION
STA. 56+44.87 TO STA. 58+08.91

•-20RS-7, 21RS-6, 104RS, 105RS-4
••-32S, 42

FILE NAME =	USER NAME = laughlinr1	DESIGNED - RTS	REVISED -
o:\pwork\p1007\LAUGHLINRL\j0105356\72C52-shs-typsec1.dgn		DRAWN - RTS	REVISED -
PLOT SCALE = 20.0000' / IN.		CHECKED -	REVISED -
PLOT DATE = Mar-26-2010 11:59:11AM		DATE - 3-10-10	REVISED -

STATE OF ILLINOIS
DEPARTMENT OF TRANSPORTATION

TYPICAL CROSS SECTIONS			
IL 127			
SCALE:	SHEET NO. 8	OF 8 SHEETS	STA. TO STA.

F.A.P. RTE.	SECTION	COUNTY	TOTAL SHEETS	SHEET NO.
••	•	MONTGOMERY	60	13
CONTRACT NO. 72C52				
ILLINOIS FED. AID PROJECT				