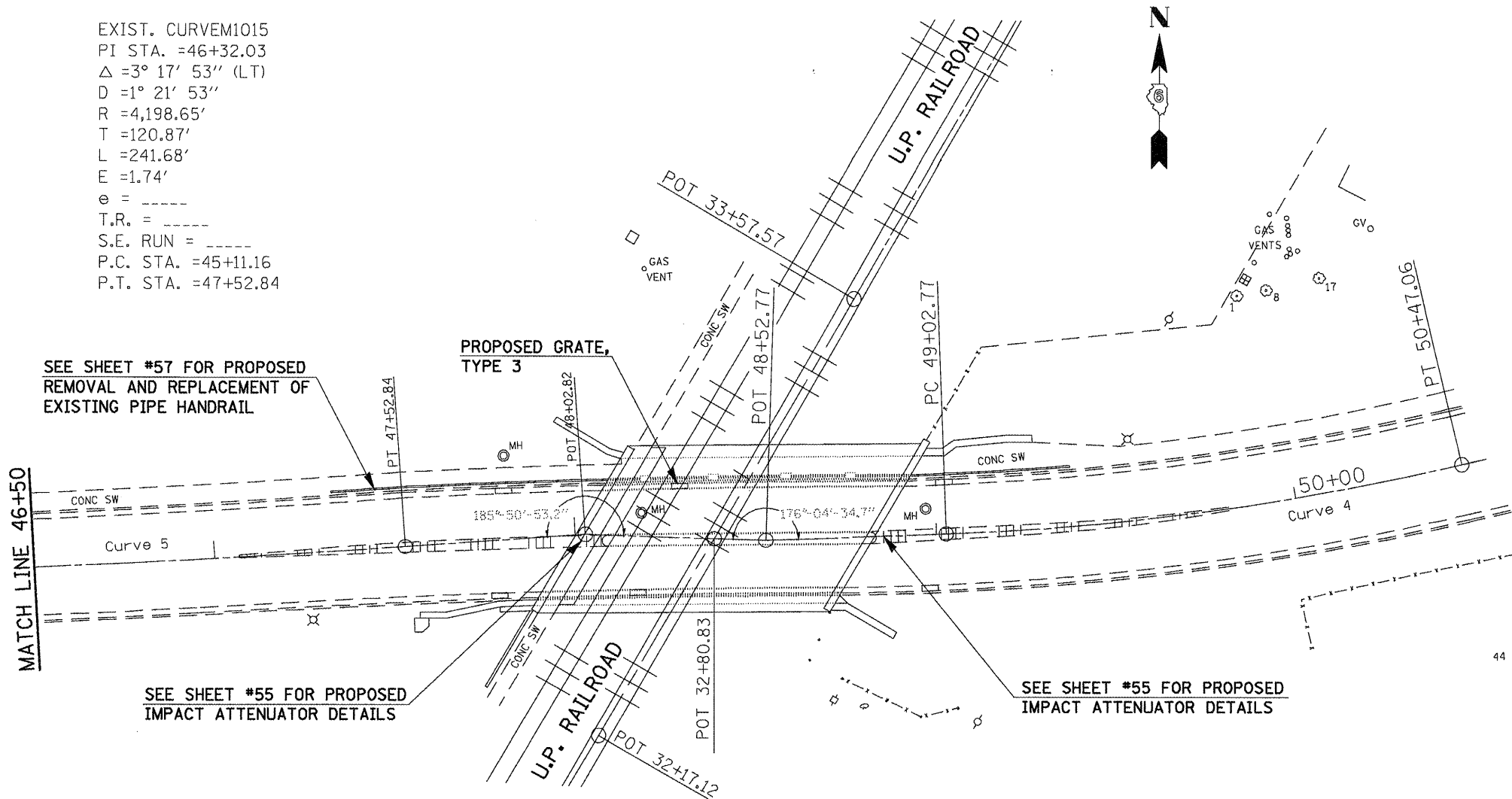


EXIST. CURVEM1015  
 PI STA. =46+32.03  
 $\Delta = 3^\circ 17' 53''$  (LT)  
 $D = 1^\circ 21' 53''$   
 $R = 4,198.65'$   
 $T = 120.87'$   
 $L = 241.68'$   
 $E = 1.74'$   
 $e = \text{-----}$   
 $T.R. = \text{-----}$   
 $S.E. RUN = \text{-----}$   
 $P.C. STA. = 45+11.16$   
 $P.T. STA. = 47+52.84$

EXIST. CURVE M1014  
 PI STA. =49+75.15  
 $\Delta = 11^\circ 19' 50''$  (LT)  
 $D = 7^\circ 51' 10''$   
 $R = 729.62'$   
 $T = 72.38'$   
 $L = 144.29'$   
 $E = 3.58'$   
 $e = \text{-----}$   
 $T.R. = \text{-----}$   
 $S.E. RUN = \text{-----}$   
 $P.C. STA. = 49+02.77$   
 $P.T. STA. = 50+47.06$

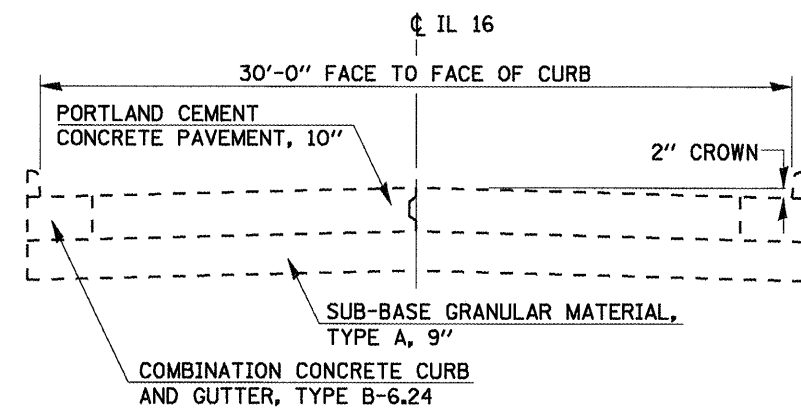


SEE SHEET #57 FOR PROPOSED  
 REMOVAL AND REPLACEMENT OF  
 EXISTING PIPE HANDRAIL

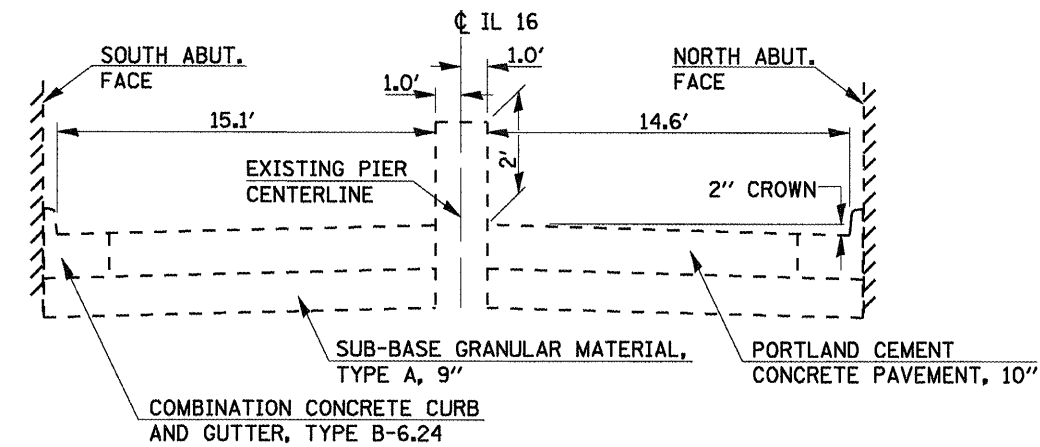
PROPOSED GRATE,  
 TYPE 3

SEE SHEET #55 FOR PROPOSED  
 IMPACT ATTENUATOR DETAILS

SEE SHEET #55 FOR PROPOSED  
 IMPACT ATTENUATOR DETAILS



STA. 44+57.00 TO STA. 48+92.25  
 STA. 49+67.25 TO STA. 53+76.09



STA. 48+92.25 TO STA. 49+67.25

EXISTING TYPICAL CROSS SECTIONS ADJACENT TO VIADUCT  
 (FOR PATCHING PURPOSES)

\*-20RS-7, 21RS-6, 104RS, 105RS-4  
 \*-32S, 24

|                                     |                                    |                |           |   |                   |                          |             |         |                     |                           |           |
|-------------------------------------|------------------------------------|----------------|-----------|---|-------------------|--------------------------|-------------|---------|---------------------|---------------------------|-----------|
| FILE NAME =                         | USER NAME = laughlinr1             | DESIGNED - RTS | REVISED - | <b>STATE OF ILLINOIS<br/>DEPARTMENT OF TRANSPORTATION</b> | <b>PLAN SHEET</b> |                          | F.A.P. RTE. | SECTION | COUNTY              | TOTAL SHEETS              | SHEET NO. |
| g:\pwwork\pwwid00\LAUGHLINR1\05356\ | 72C52-ahs-plan.dgn                 | DRAWN - RTS    | REVISED - |   | SCALE:            | SHEET NO. 9 OF 15 SHEETS | STA.        | TO STA. | MONTGOMERY          | 60                        | 30        |
|                                     | PLOT SCALE = 48.00000' / IN.       | CHECKED - RTS  | REVISED - |   |                   |                          |             |         | CONTRACT NO. 72C52  |                           |           |
|                                     | PLOT DATE = May-26-2010 11:59:47AM | DATE - 3-10-10 | REVISED - |   |                   |                          |             |         | FED. ROAD DIST. NO. | ILLINOIS FED. AID PROJECT |           |