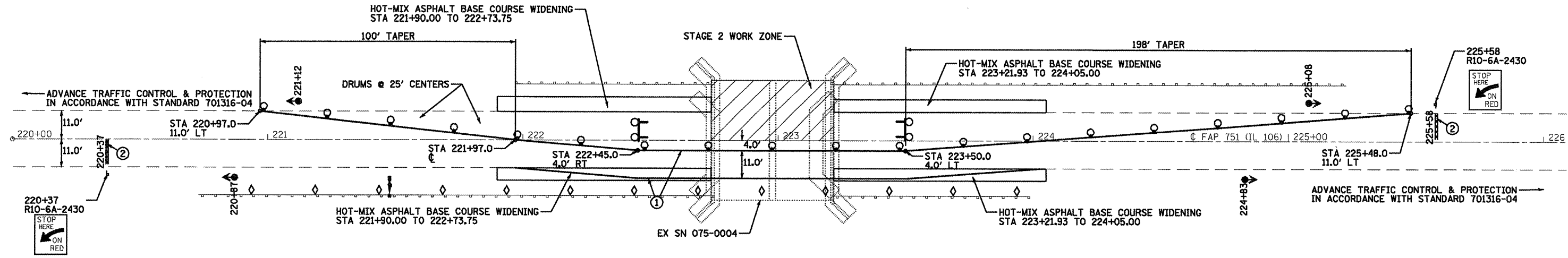


SN 075-0004 - STAGE 2 CONSTRUCTION



PAVEMENT MARKING TAPE, TYPE III SCHEDULE

| LOCATION | 70300530 | 70300570 |
|------------------------------|-------------|------------|
| | 5" (FOOT) | 24" (FOOT) |
| 220+37 STOP BAR | | 11 |
| 220+47 TO 224+98 RT EDGELINE | 453 | |
| 221+92 TO 223+98 LT EDGELINE | 206 | |
| 225+58 STOP BAR | | 11 |
| 220+97 TO 225+48 LT EDGELINE | 453 | |
| 221+97 TO 224+03 RT EDGELINE | 206 | |
| TOTAL | 1318 | 22 |

WORK ZONE PAVEMENT MARKING REMOVAL SCHEDULE

| PAY ITEM | LENGTH (FOOT) | 70301000 |
|----------------------------|---------------|--------------|
| | | AREA (SQ FT) |
| 70300100 SHORT-TERM | 96 | 32.0 |
| 70300230 TEMPORARY 5" | 570 | 237.5 |
| 70300530 TAPE TYPE III 5" | 1318 | 549.2 |
| 70300570 TAPE TYPE III 24" | 22 | 44.0 |
| TOTAL | | 862.7 |

TRAFFIC CONTROL BILL OF MATERIAL - LOCATION 2

| ITEM | UNIT | QUANTITY |
|---|--------|----------|
| TRAFFIC CONTROL AND PROTECTION, STANDARD 701306 | L SUM | 1 |
| TRAFFIC CONTROL AND PROTECTION, STANDARD 701326 | L SUM | 1 |
| TRAFFIC CONTROL SURVEILLANCE | CAL DA | 4 |
| TRAFFIC CONTROL AND PROTECTION, STANDARD 701316, LOCATION 2 | EACH | 1 |
| TEMPORARY RUMBLE STRIP | EACH | 6 |
| PAVEMENT MARKING TAPE, TYPE III 5" | FOOT | 1318 |
| PAVEMENT MARKING TAPE, TYPE III 24" | FOOT | 22 |
| WORK ZONE PAVEMENT MARKING REMOVAL | SQ FT | 862.7 |
| GUARDRAIL MARKERS, TYPE A | EACH | 22 |
| GUARDRAIL MARKERS, TYPE B | EACH | 4 |
| PAVEMENT MARKING REMOVAL | SQ FT | 229.9 |
| TEMPORARY BRIDGE TRAFFIC SIGNALS | EACH | 1 |

SYMBOLS

- TYPE III BARRICADE WITH FLASHING LIGHTS
- SIGN
- DRUM WITH STEADY BURNING LIGHT
- TRAFFIC SIGNAL
- MICROWAVE DETECTOR SYSTEM ON 12'- 15' POLE
- CRYSTAL BIDIRECTIONAL PARAPET / GUARDRAIL MARKER
- PAVEMENT MARKING TAPE, TYPE III 5" (WHITE)
- PAVEMENT MARKING TAPE, TYPE III 24" (WHITE)

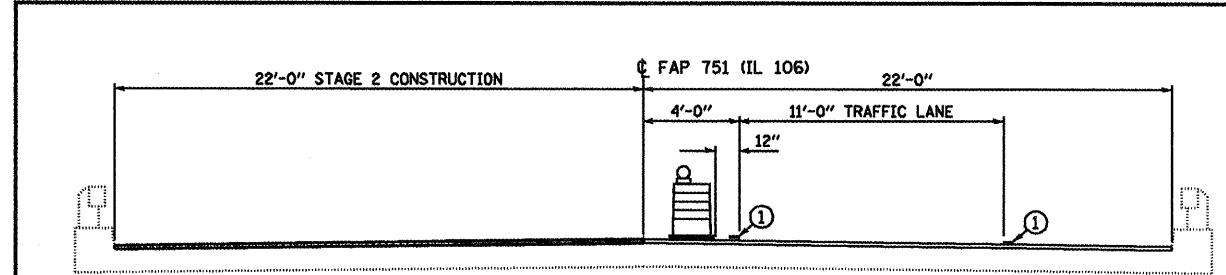
GUARDRAIL MARKER SCHEDULE

| LOCATION | STAGE | 78200410 | 78200420 |
|---------------------|-------|---------------|---------------|
| | | TYPE A (EACH) | TYPE B (EACH) |
| 221+98 TO 222+75 LT | 1 | 3 | |
| 222+75 TO 223+21 LT | 1 | | 2 |
| 223+21 TO 225+23 LT | 1 | 8 | |
| 220+73 TO 222+75 RT | 2 | 8 | |
| 222+75 TO 223+21 RT | 2 | | 2 |
| 223+21 TO 223+99 RT | 2 | 3 | |
| TOTAL | | 22 | 4 |

PAVEMENT MARKING REMOVAL SCHEDULE

| LOCATION | LENGTH (FOOT) | 78300100 |
|------------------------------|---------------|--------------|
| | | AREA (SQ FT) |
| 220+37 TO 225+58 CENTERLINE | 140 | 58.3 |
| 221+92 TO 223+98 LT EDGELINE | 206 | 85.8 |
| 221+97 TO 224+03 RT EDGELINE | 206 | 85.8 |
| TOTAL | | 229.9 |

* - REQUIRED AT BOTH LOCATIONS, NOT TO BE PAID FOR SEPARATELY



TYPICAL SECTION - STAGE 2 CONSTRUCTION

S.N. 074-0004 - LOOKING EAST

SEE STRUCTURE PLANS FOR ADDITIONAL DETAILS