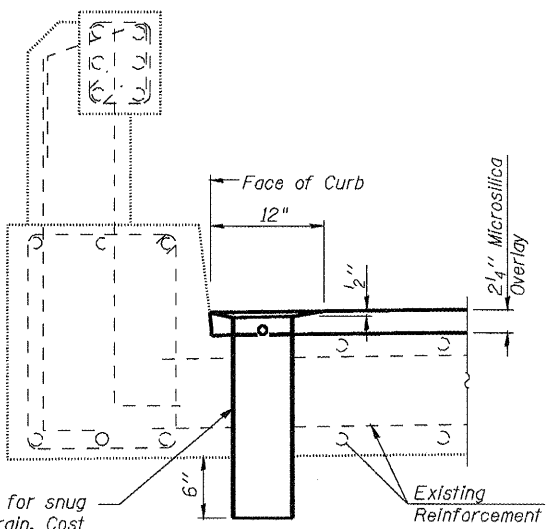
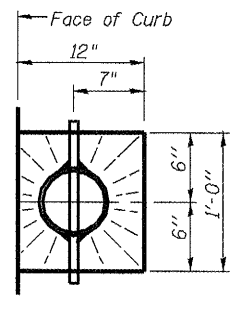
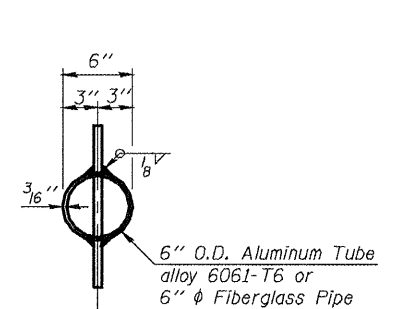
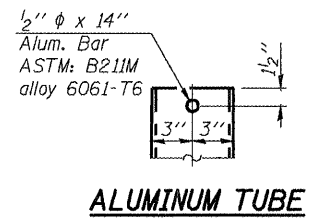
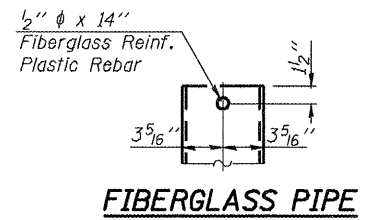
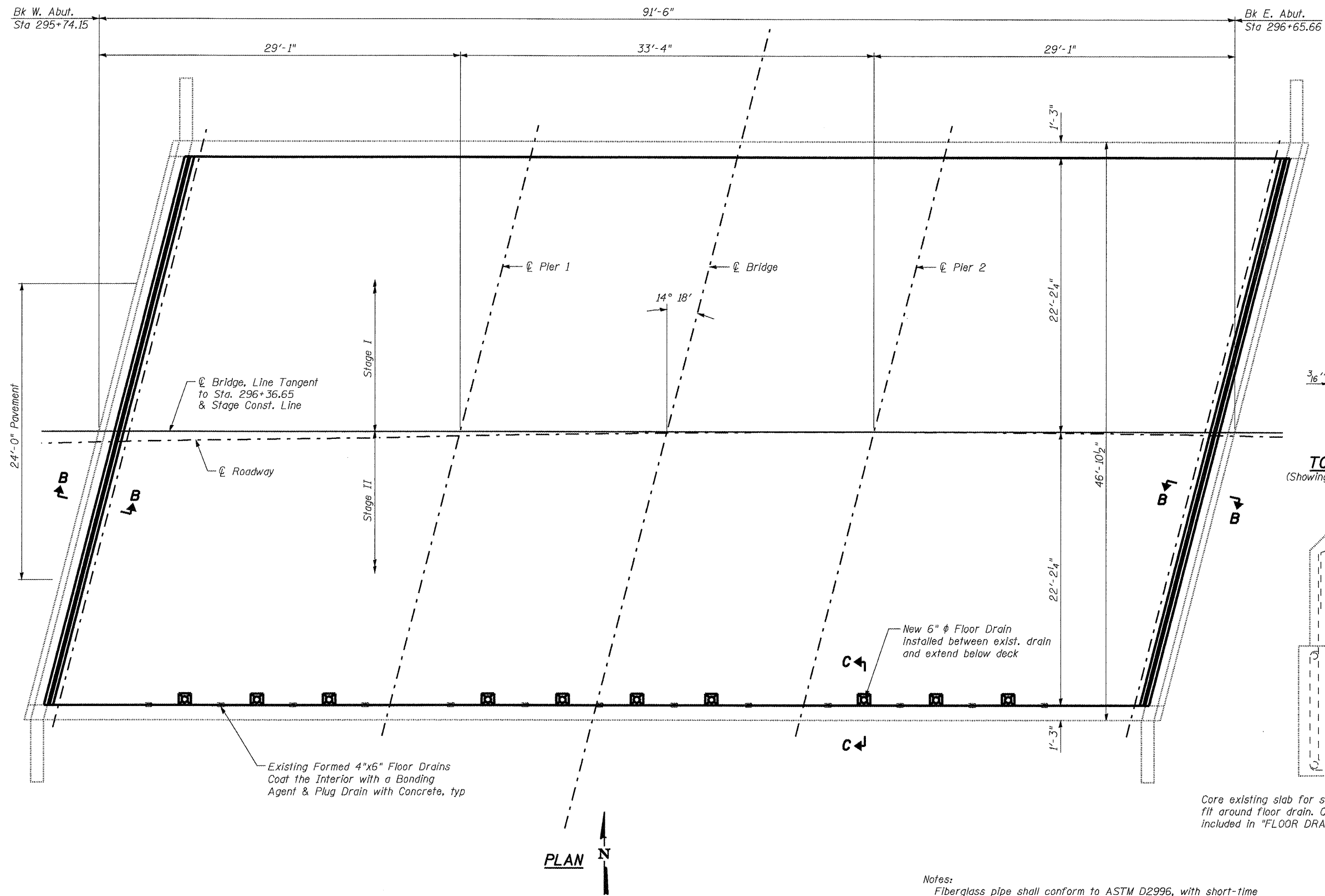


Feb-10-2010 01:52:40PM



Notes:  
 Fiberglass pipe shall conform to ASTM D2996, with short-time rupture strength hoop tensile stress of 30,000 p.s.i. minimum.  
 The exterior surfaces of the floor drains shall be coated or pigmented by the manufacturer with a color that matches the concrete.

**SUPERSTRUCTURE PLAN  
 IL 106 OVER THE SNY RIVER  
 SN 075-0024**

DESIGNED	KTH
CHECKED	ADL
DRAWN	KTH/BGJ
CHECKED	ADL

**KLINGNER & ASSOCIATES, P.C.**  
 Engineers - Architects - Surveyors

608 North 216th Street, Aurora, IL 60504  
 Phone: (708) 225-3670 Fax: (708) 225-3883

600 Park Street, East Lansing, MI 48824  
 Phone: (517) 225-8000 Fax: (517) 225-8002

100 N. 14th Street, Suite 100, East Troy, WI 53120  
 Phone: (262) 753-1200 Fax: (262) 753-1205

101 N. 14th Street, East Troy, WI 53120  
 Phone: (262) 753-1200 Fax: (262) 753-1205

Internet Address: www.klingner.com

STATE OF ILLINOIS DESIGN FIRM # 1842738

SHEET NO. 3 5 SHEETS	F.A.P. RTE.	SECTION	COUNTY	TOTAL SHEETS	SHEET NO.
	751	D6 BRIDGE REPAIR 2009	PIKE	22	15
FED. ROAD DIST. NO.			ILLINOIS FED. AID PROJECT		
CONTRACT NO. 72D44					