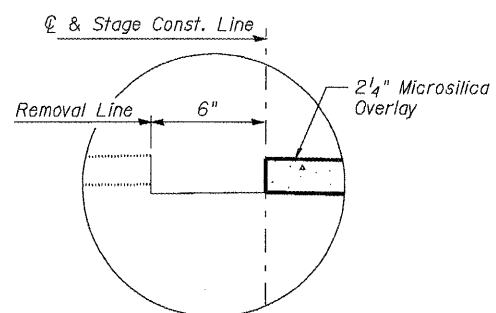
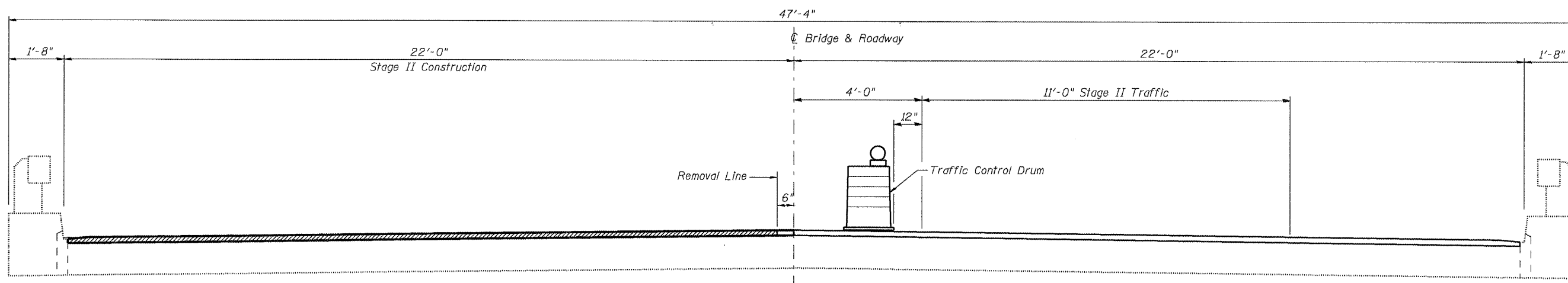


**DETAIL B**  
(Showing Removal)



**DETAIL B**  
(Showing Proposed)

**STAGE I CONSTRUCTION**  
(Looking East)



**STAGE II CONSTRUCTION**  
(Looking East)

**STAGING**  
**IL 106 OVER HADLEY CREEK**  
**SN 075-0004**

DESIGNED	KTH
CHECKED	ADL
DRAWN	KTH/BGJ
CHECKED	ADL

**KLINGNER & ASSOCIATES, P.C.**  
Engineers - Architects - Surveyors  
65 North 246 Street, Danbury, IL 61822-3670  
439 Park Street, Danbury, IL 61822-3672  
100 N. 1st Street, Danbury, IL 61822-3685  
101 N. 1st Street, Danbury, IL 61822-3688  
Internet Address: www.klingner.com  
STATE OF ILLINOIS DESIGN FIRM # 1942739

SHEET NO. 2 5 SHEETS	F.A.P. RTE.	SECTION	COUNTY	TOTAL SHEETS	SHEET NO.
	751	D6 BRIDGE REPAIR 2009	PIKE	22	19
FED. ROAD DIST. NO.			ILLINOIS FED. AID PROJECT		
CONTRACT NO. 72D44					