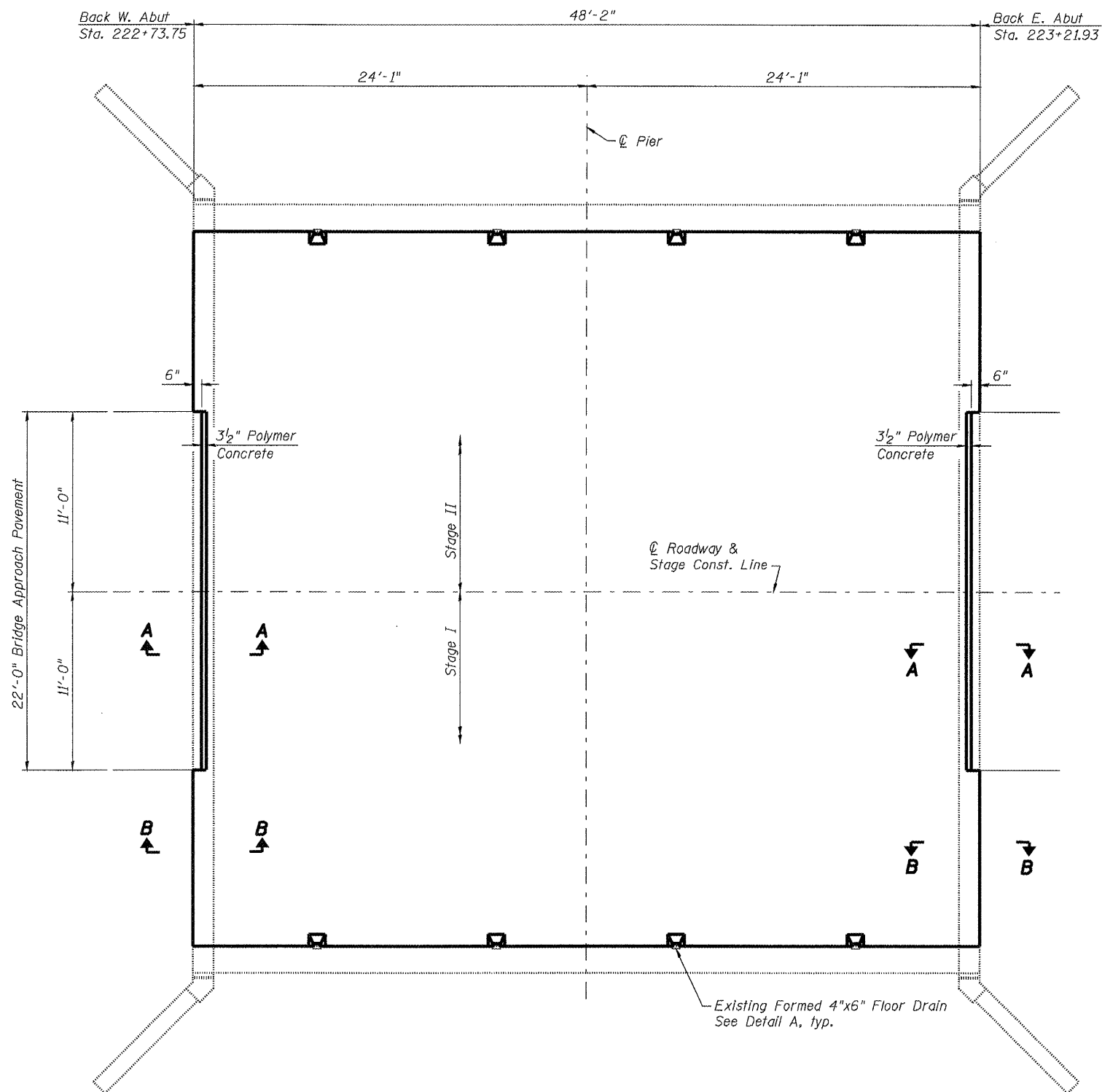
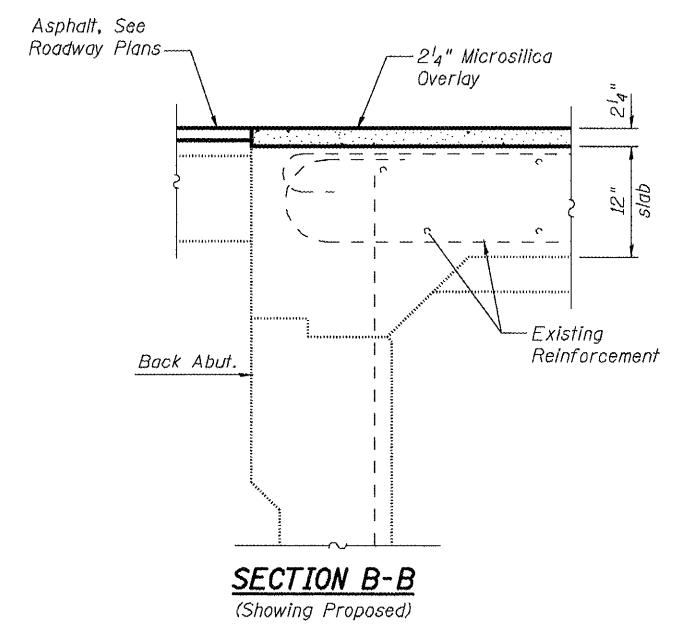
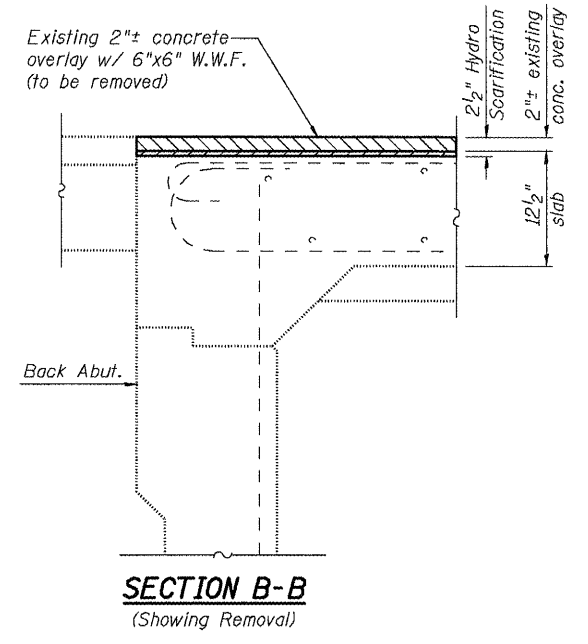
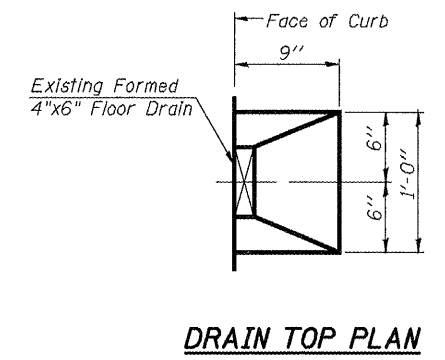
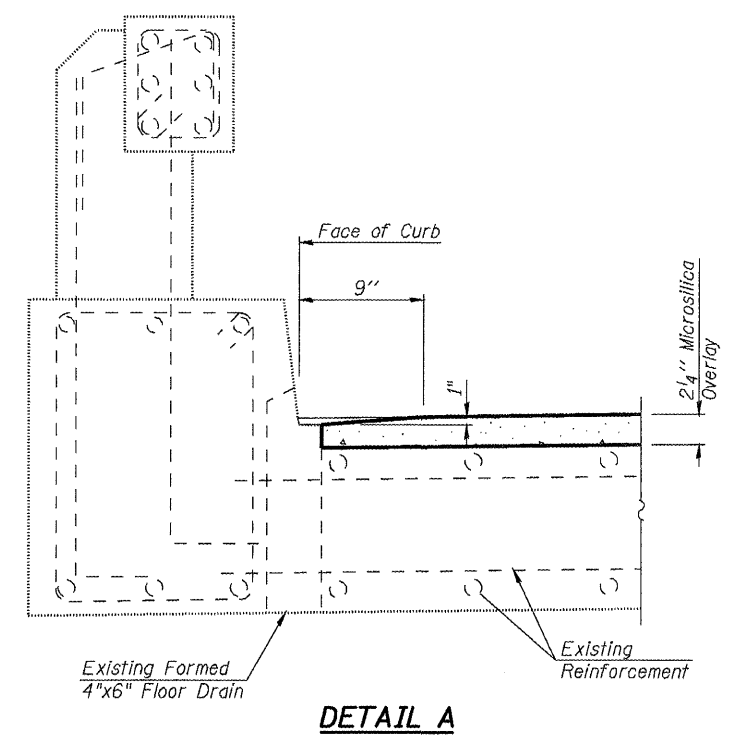


Feb-10-2010 01:52:56PM



PLAN



**SUPERSTRUCTURE PLAN
IL 106 OVER HADLEY CREEK
SN 075-0004**

DESIGNED	KTH
CHECKED	ADL
DRAWN	KTH/BGJ
CHECKED	ADL

KLINGNER & ASSOCIATES, P.C.
 Engineers • Architects • Surveyors
 815 North 21st Street, Joliet, IL Ph: (815) 223-3870 Fax: (815) 223-3883
 4201 Paris Street, Hunt, Illinois, IL Ph: (815) 223-4850 Fax: (815) 223-4852
 100 N. 4th Street, Suite 100, Burlington, IL Ph: (815) 753-8530 Fax: (815) 752-3385
 111 North 6th Street, Carbondale, IL Ph: (618) 342-4842 Fax: (618) 342-3721
 Internet: www.klingner.com
 STATE OF ILLINOIS DESIGN FIRM # 1842738

SHEET NO. 3 5 SHEETS	F.A.P. RTE.	SECTION	COUNTY	TOTAL SHEETS	SHEET NO.
	751	D6 BRIDGE REPAIR 2009	PIKE	22	20
FED. ROAD DIST. NO.			ILLINOIS FED. AID PROJECT		
CONTRACT NO. 72D44					

Klingner & Associates P.C.