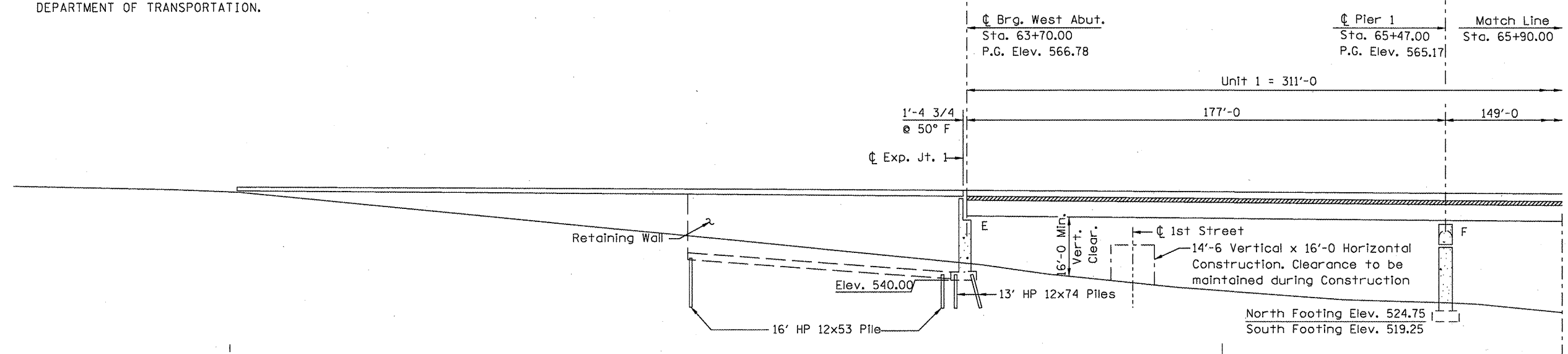
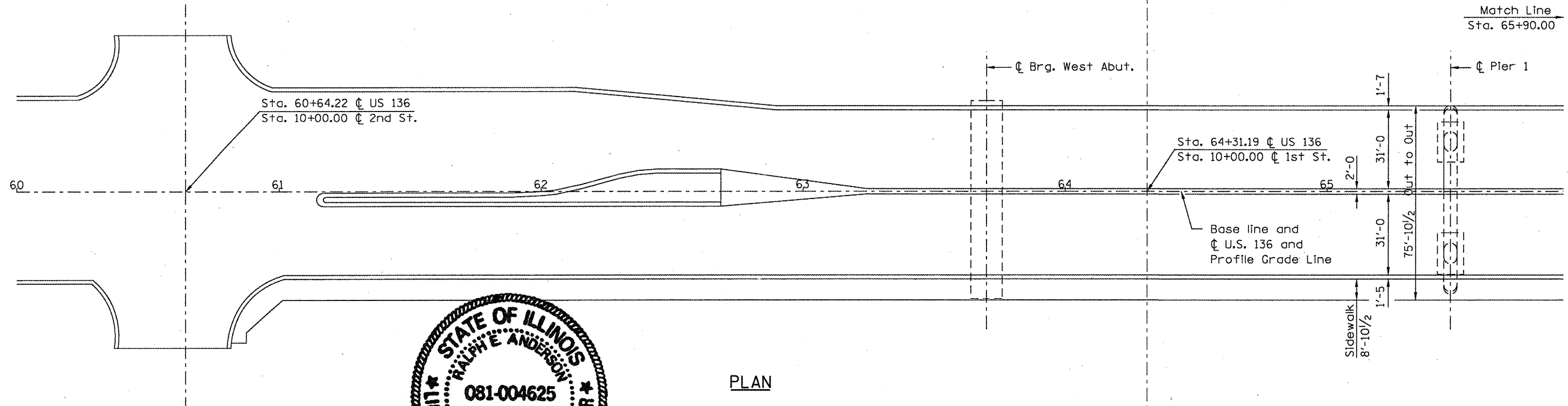


F.A.P. RTE.	SECTION	COUNTY	TOTAL SHEETS	SHEET NO.
315	(22B)-1	HANCOCK	13	5

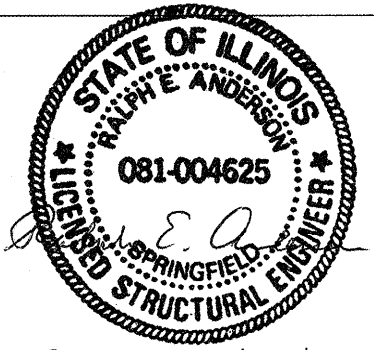
EXISTING STRUCTURE:
 SN 034-0062 CONSISTS OF 15 STEEL MULTI-BEAM WELDED PLATE GIRDER SPANS, WITH AN OVERALL LENGTH OF 3,340 FT MEASURED FROM BACK-TO-BACK OF ABUTMENTS, AND A TOTAL DECK WIDTH OF 75' 10". THE BRIDGE ROADWAY, COMPRISED OF TWO LANES IN EACH DIRECTION DIVIDED BY A BARRIER WALL, HAS A TOTAL COMBINED WIDTH OF 62' 0". THERE IS AN 8' 10" WIDE SIDEWALK ON THE SOUTH SIDE OF THE BRIDGE. THE BRIDGE CARRIES US 136 OVER THE MISSISSIPPI RIVER BETWEEN HAMILTON, ILLINOIS, AND KEOKUK, IOWA, AND WAS BUILT IN 1985 UNDER A CONTRACT MANAGED BY THE IOWA DEPARTMENT OF TRANSPORTATION.



LONGITUDINAL SECTION ALONG C U.S. 136



PLAN



Expires 11/30/2010

REVISIONS	
NAME	DATE

ILLINOIS DEPARTMENT OF TRANSPORTATION
 PLAN AND PROFILE
 FAP 315 (US 136)
 SECTION (22B)-1
 HANCOCK COUNTY
 SN 034-0062