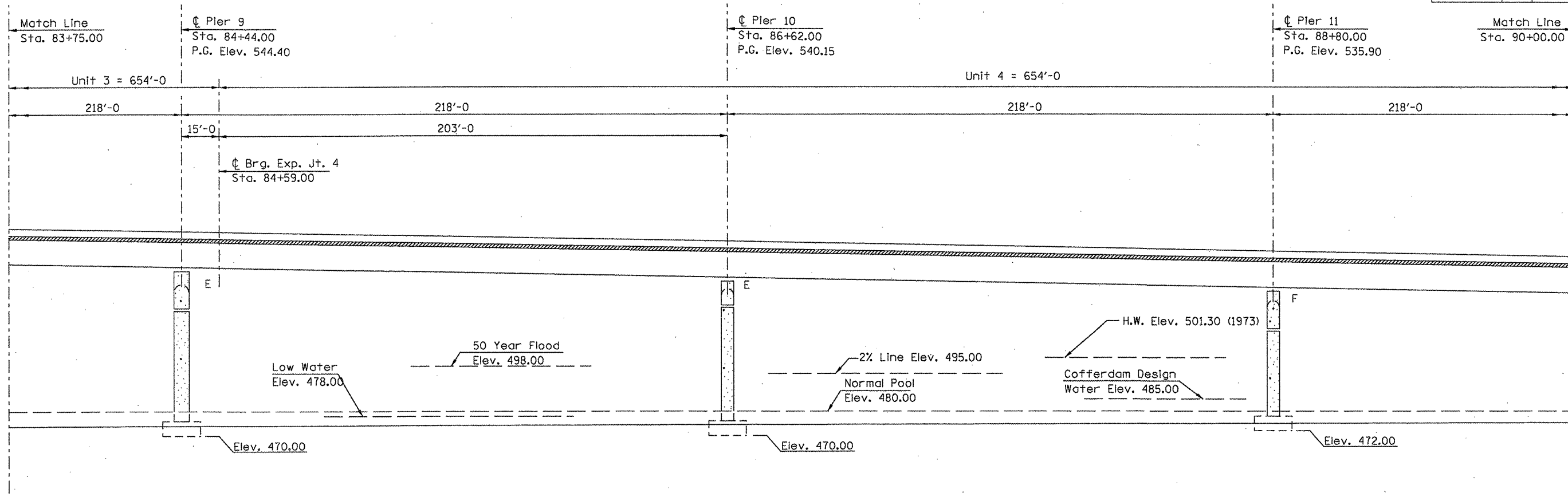
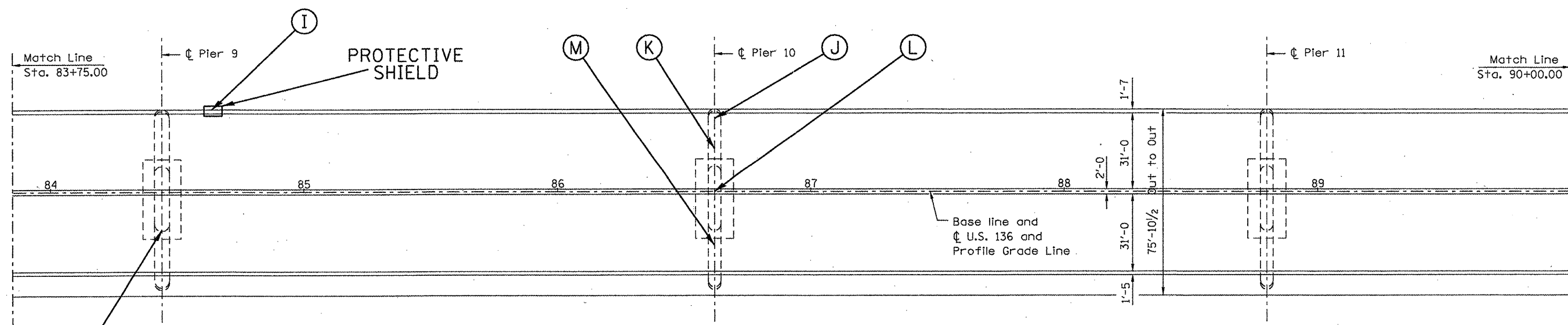


F.A.P. RTE.	SECTION	COUNTY	TOTAL SHEETS	SHEET NO.
315	(22B)-1	HANCOCK	13	9



LONGITUDINAL SECTION ALONG \dot{C} U.S. 136



\bigcirc DENOTES REPAIR AREA (SEE SCHEDULE)

PLAN

REVISIONS	
NAME	DATE

ILLINOIS DEPARTMENT OF TRANSPORTATION

PLAN AND PROFILE

FAP 315 (US 136)
SECTION (22B)-1
HANCOCK COUNTY