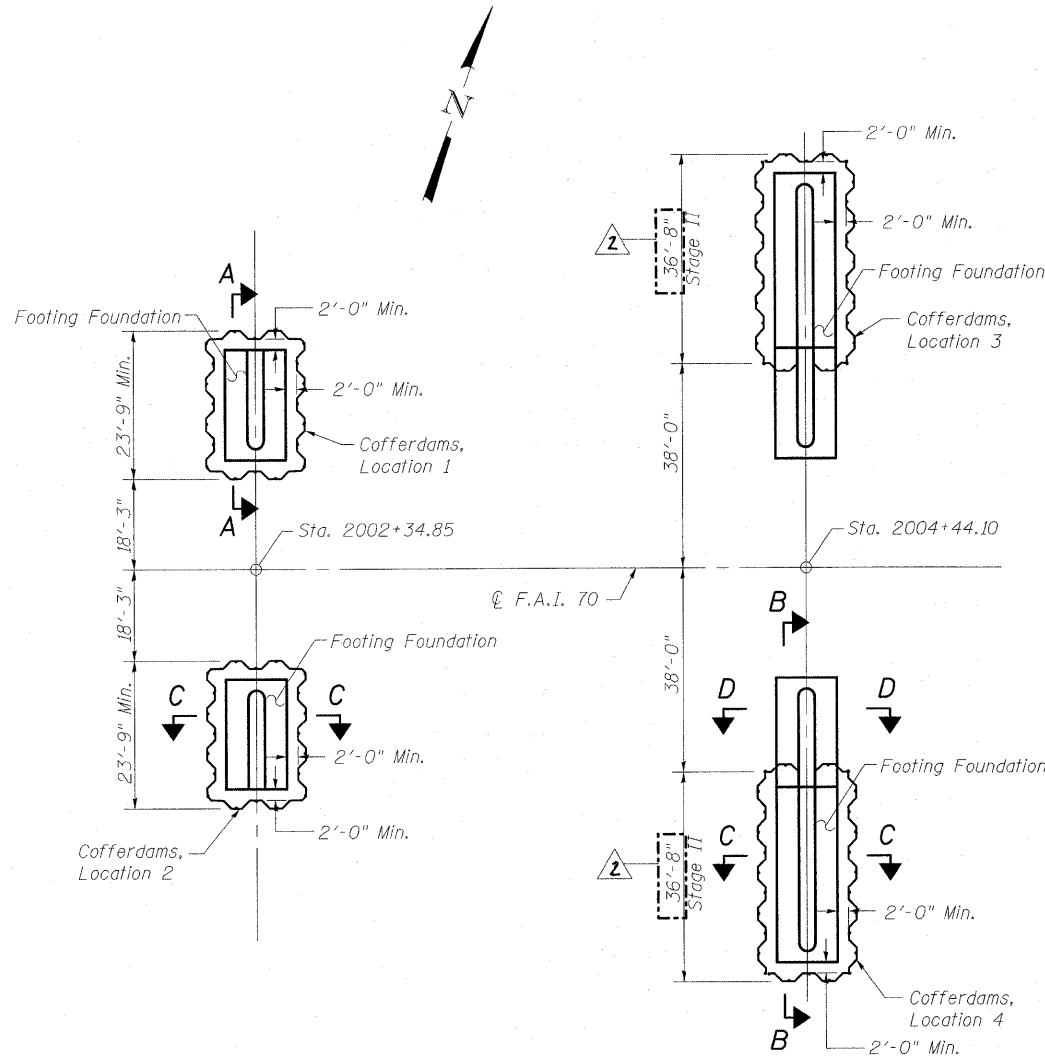


STATE OF ILLINOIS  
DEPARTMENT OF TRANSPORTATION

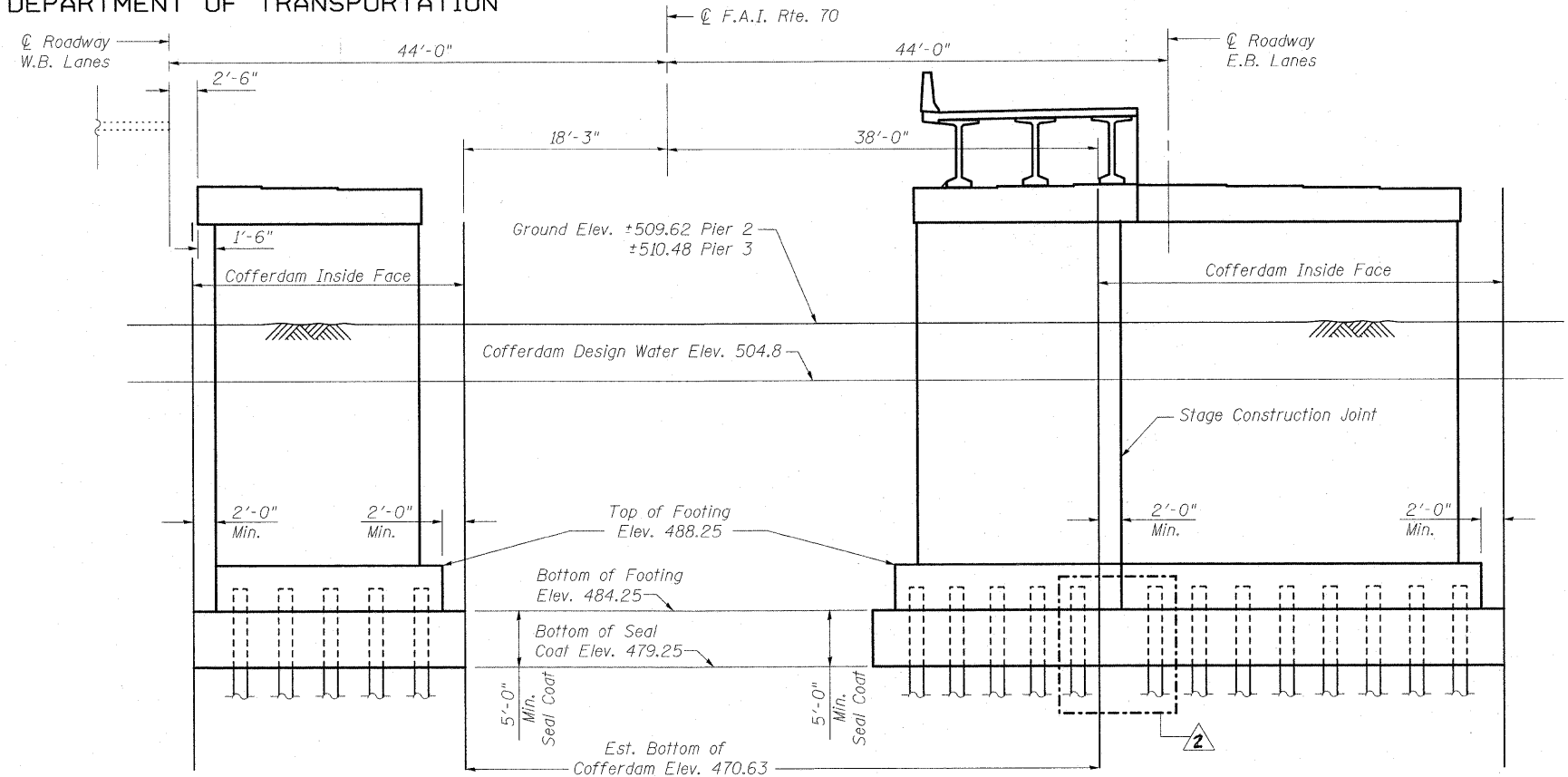


**STAGE I COFFERDAM  
PLAN PIER 2**  
(Pier 3 Similar)

**STAGE II COFFERDAM  
PLAN PIER 3**  
(Pier 2 Similar)

**PLAN**

For Footing Size, Number & Pile Spacing see sheet 48 of 58.  
Each Cofferdam Location represents both Stage I & Stage II Cofferdams.

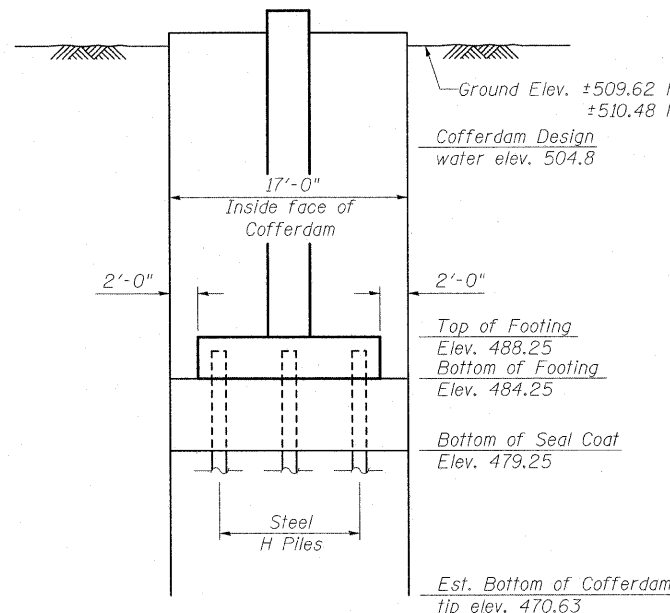


**SECTION A-A**

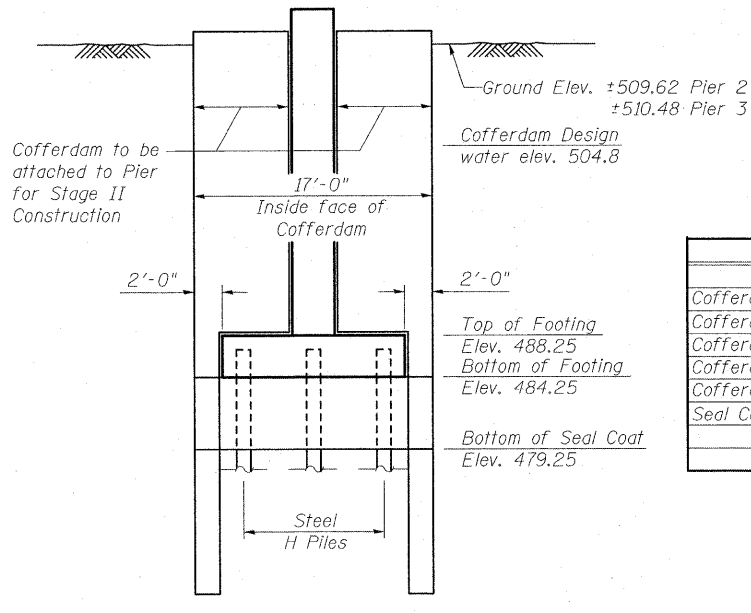
Showing Stage I Construction (Looking East)

**SECTION B-B**

Showing Stage II Construction (Looking East)



**SECTION C-C**



**SECTION D-D**

**BILL OF MATERIAL  
FOR FOUR LOCATIONS**

ITEM	UNIT	TOTAL
Cofferdam Excavation	Cu. Yd.	4244
Cofferdams, Location 1	Each	1
Cofferdams, Location 2	Each	1
Cofferdams, Location 3	Each	1
Cofferdams, Location 4	Each	1
Seal Coat Concrete	Cu. Yd.	710

**COFFERDAM DETAILS  
S.N. 025-0107 & 025-0108**

DESIGNED	B.B.
CHECKED	A.C.S.
DRAWN	W.J.S.
CHECKED	C.J.F. & B.B.



**BERNARDIN  
LOCHMUELLER &  
ASSOCIATES, INC.**

3 Oak Drive  
Maryville, IL 62062-5685  
Local (618) 288-4665  
Fax 618-288-4666

SHEET NO. 4 58 SHEETS	F.A.I. RTE. 70	SECTION (25-3)B	COUNTY EFFINGHAM	TOTAL SHEETS 1416	SHEET NO. 36
	SN 025-0107 & 025-0108		CONTRACT NO. 74296		
FED. ROAD DIST. NO. 7 ILLINOIS FED. AID PROJECT 70					