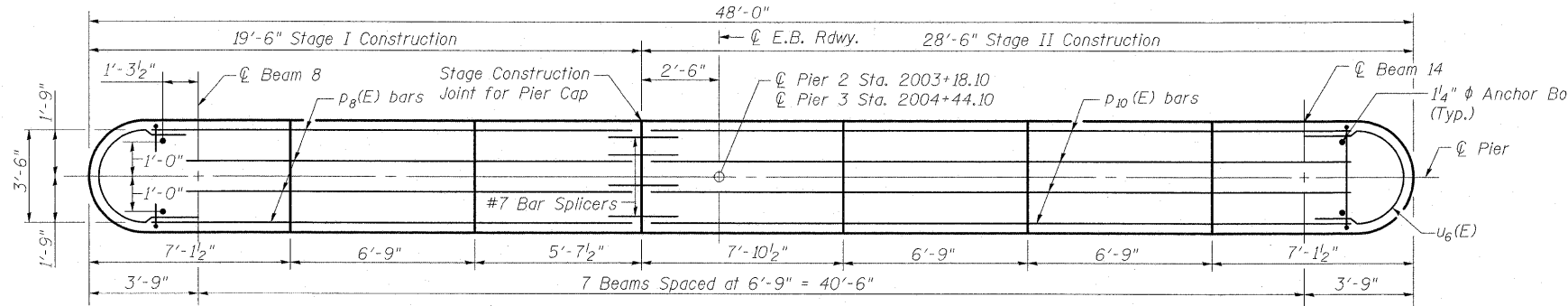


STATE OF ILLINOIS
DEPARTMENT OF TRANSPORTATION

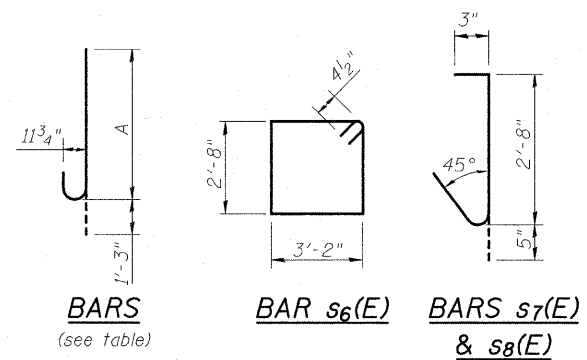
Notes:
Space reinforcement in cap to miss anchor bolts.
Pour steps monolithically with cap.
For details of piles, see sheet 50 of 58.
Clear cover noted to mechanical splicer, where applicable.
See sheet 46 of 58 for Bill of Materials.
See sheet 48 of 58 for Footing Plan
For Anchor Bolt and Side Retainer details see sheet 32 of 58.
For details v₁(E) bars see sheet 32 of 58.
See sheet 49 of 58 for Bar Splicer and Mechanical Splicer details.

PILE DATA

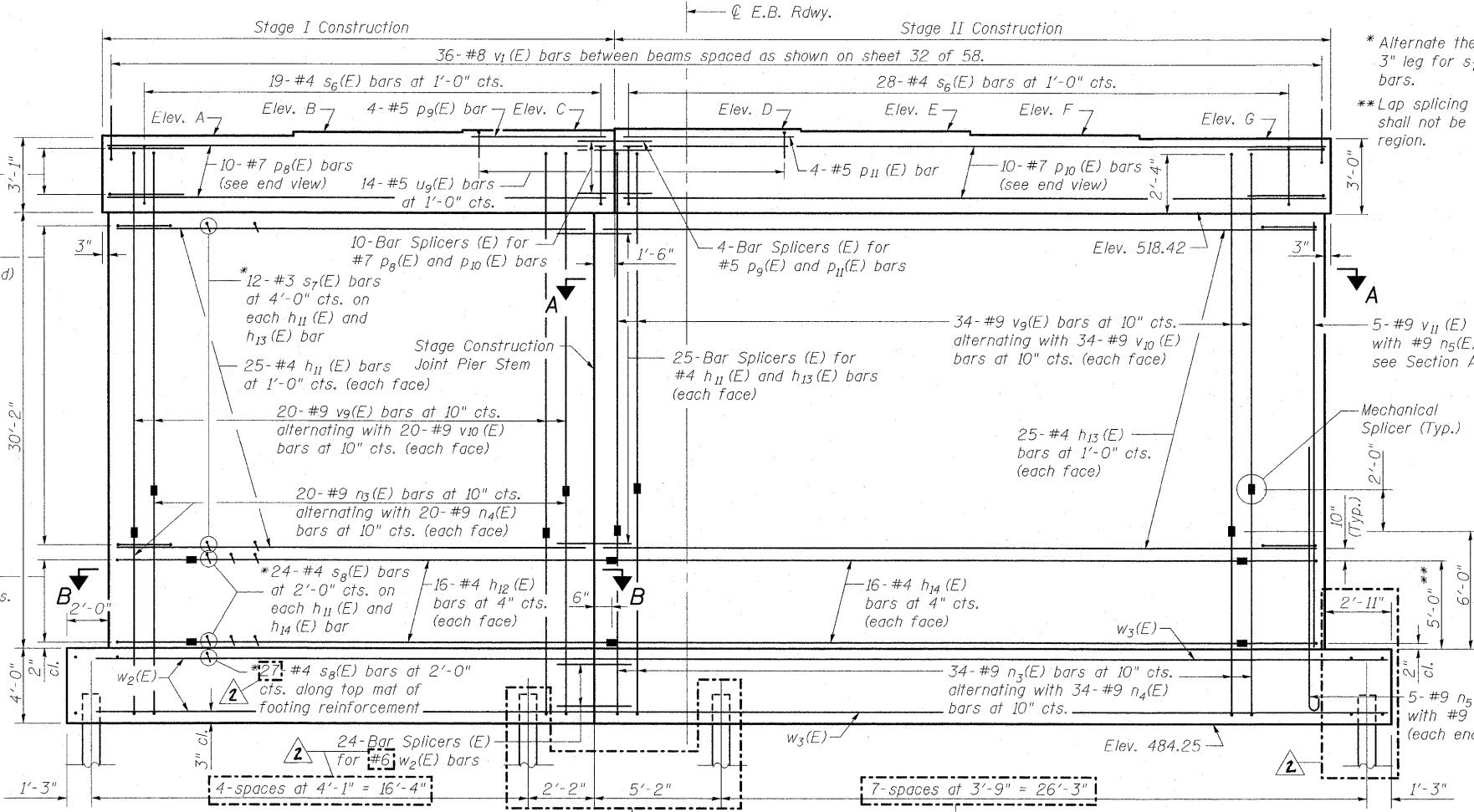
Type: HP 14x73
Nominal Required Bearing: 578k
Factored Resistance Available: 289k
Est. Length: 70'-0" Pier 2
51'-0" Pier 3
No. Production Piles: 38 per Pier
No. Test Piles: 1 per Pier
Top of Pile Elevation = 486.34



TOP PLAN

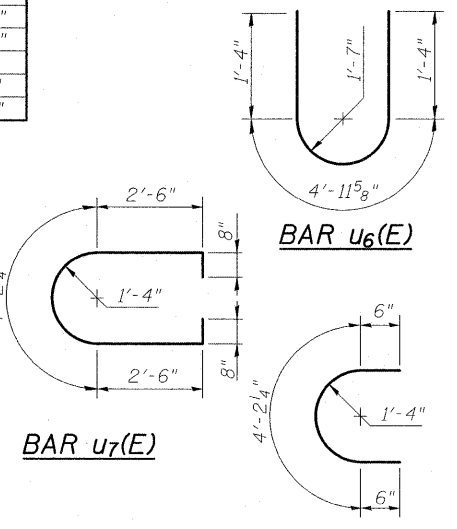


Bar	Dim. A
v ₉ (E)	26'-6"
v ₁₀ (E)	24'-6"
n ₃ (E)	9'-9"
n ₄ (E)	11'-9"
n ₅ (E)	10'-4"



ELEVATION (Looking East)

* Alternate the placement of 3" leg for s₇(E) and s₈(E) bars.
** Lap splicing of reinforcement shall not be allowed in this region.

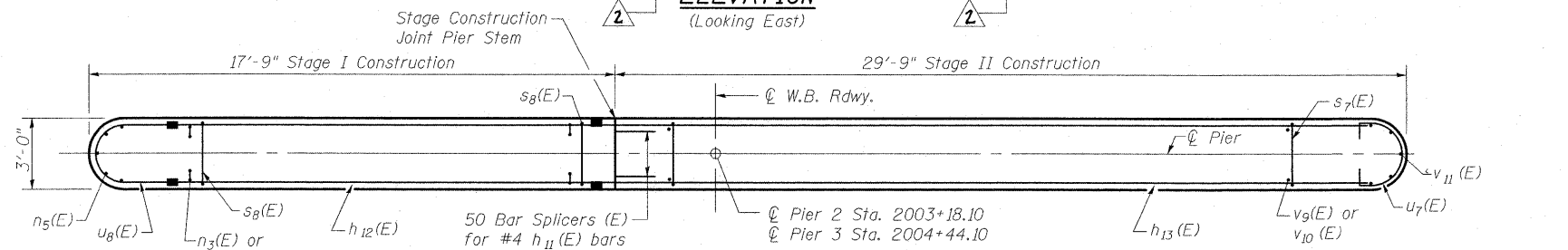
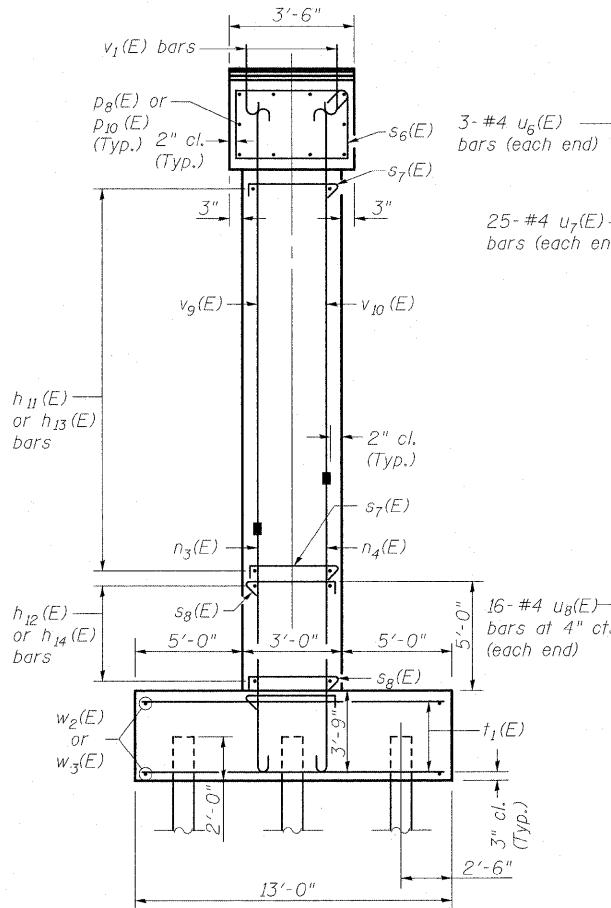


ELEVATION DATA

Elev.	Pier 2	Pier 3
A	521.50	521.51
B	521.66	521.65
C	521.74	521.76
D	521.80	521.76
E	521.71	521.68
F	521.56	521.54
G	521.42	521.42

STEP HEIGHTS

Elev.	Pier 2	Pier 3
A to B	+1' ⁷ / ₈ "	+1' ⁵ / ₈ "
B to C	+1"	+1' ³ / ₈ "
C to D	+3' ⁴ / ₈ "	0"
D to E	-1' ⁶ / ₈ "	-1"
E to F	-1' ³ / ₄ "	-1' ⁵ / ₈ "
F to G	-1' ³ / ₄ "	-1' ¹ / ₂ "



**PIER 2 & 3 (E.B.)
STRUCTURE NO. 025-0107**

DESIGNED	B.B.
CHECKED	A.C.S.
DRAWN	W.J.S.
CHECKED	C.J.F. & B.B.

BERNARDIN LOCHMUELLER & ASSOCIATES, INC.
3 Oak Drive
Maryville, IL 62442-5885
Local (618) 288-4665
Fax 618-288-4666

SHEET NO. 47 58 SHEETS	F.A.I. RTE. 70	SECTION (25-3)B	COUNTY EFFINGHAM	TOTAL SHEETS 1416	SHEET NO. 79
	SN 025-0107		CONTRACT NO. 74296		
FED. ROAD DIST. NO. 7 ILLINOIS FED. AID PROJECT 70					