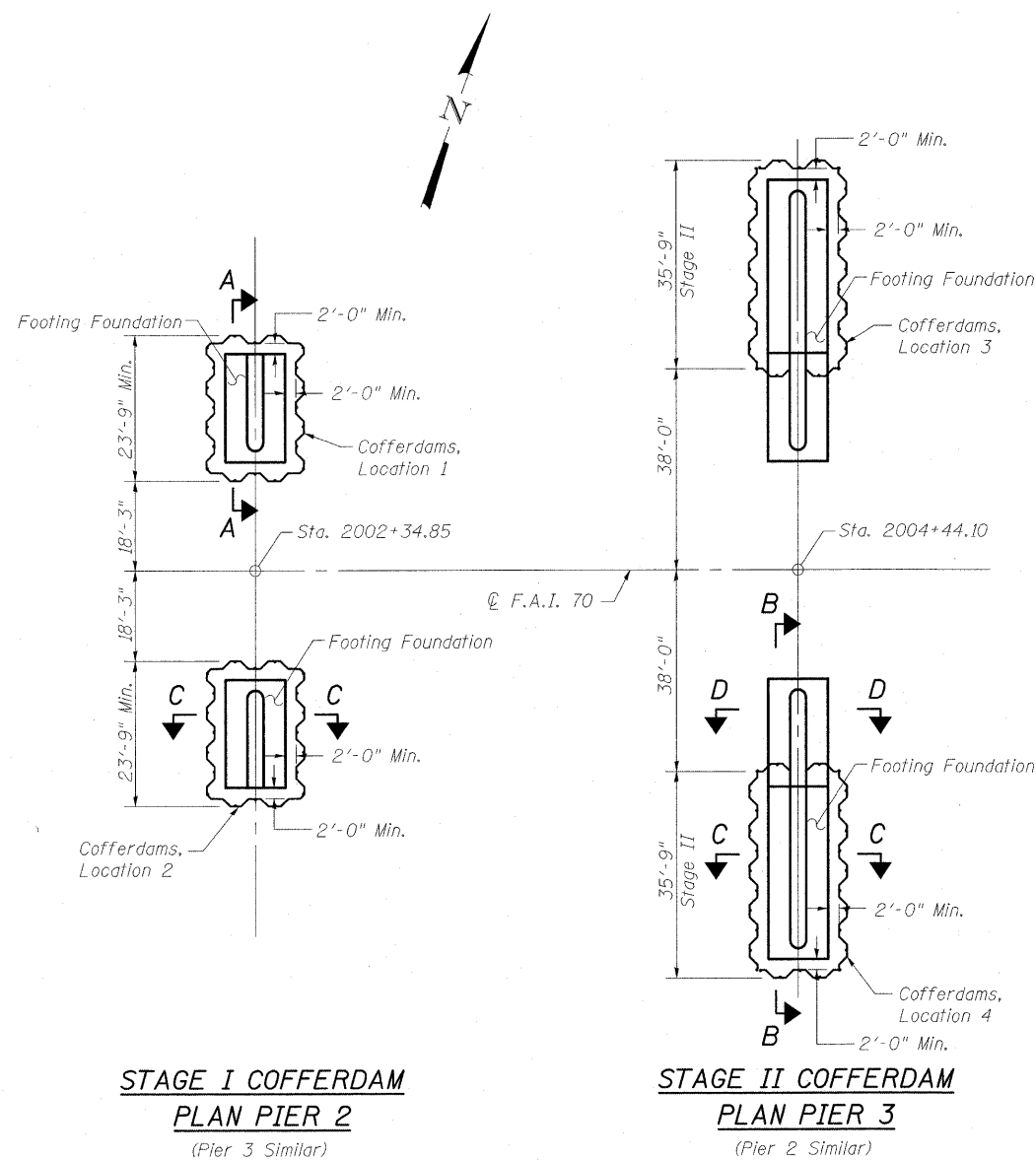


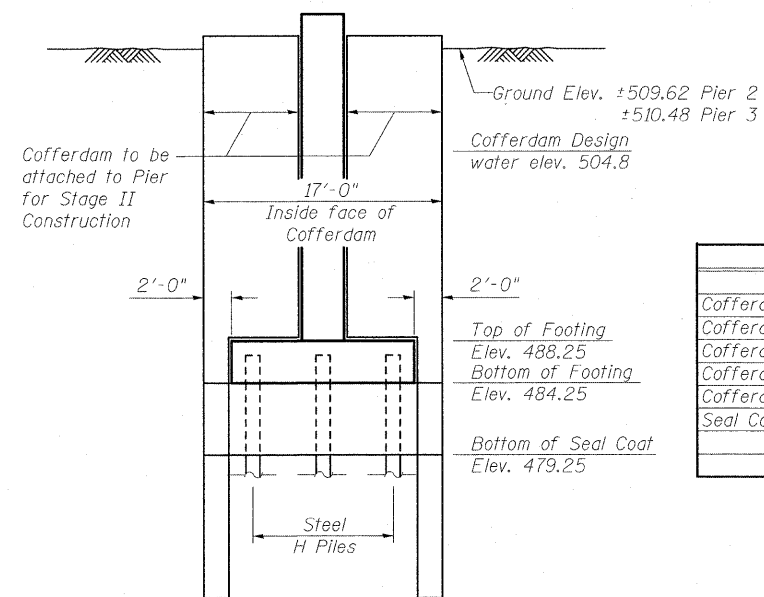
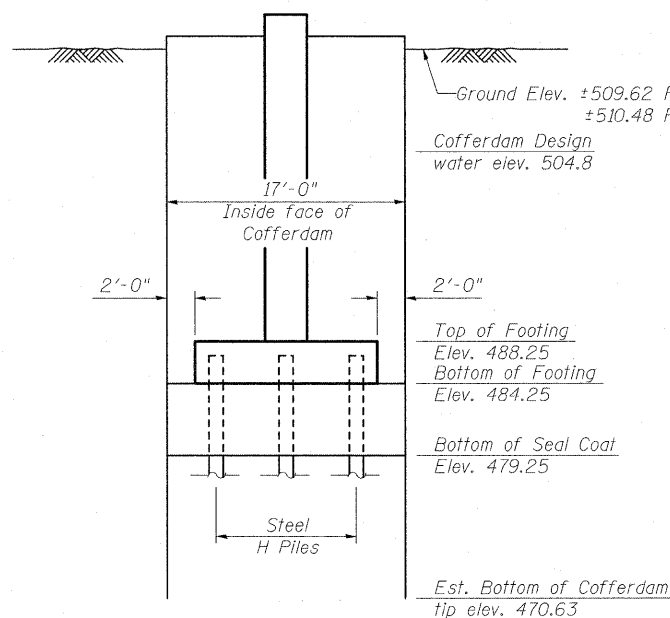
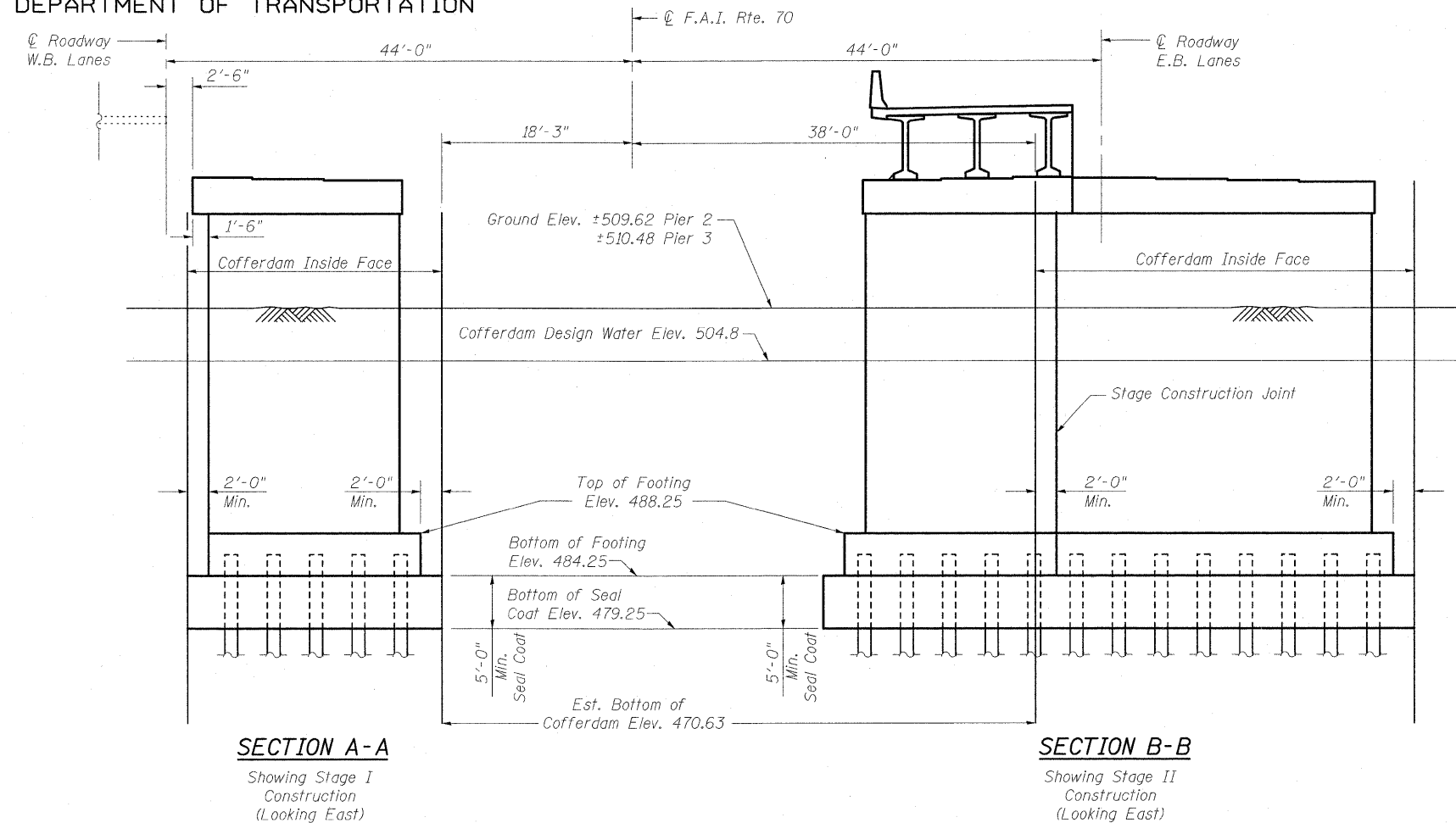
STATE OF ILLINOIS  
DEPARTMENT OF TRANSPORTATION



**PLAN**

For Footing Size, Number & Pile Spacing see sheet 48 of 58.  
Each Cofferdam Location represents both Stage I & Stage II Cofferdams.

DESIGNED	B.B.
CHECKED	A.C.S.
DRAWN	W.J.S.
CHECKED	C.J.F. & B.B.



**BILL OF MATERIAL FOR FOUR LOCATIONS**

ITEM	UNIT	TOTAL
Cofferdam Excavation	Cu. Yd.	4172
Cofferdams, Location 1	Each	1
Cofferdams, Location 2	Each	1
Cofferdams, Location 3	Each	1
Cofferdams, Location 4	Each	1
Seal Coat Concrete	Cu. Yd.	698

**COFFERDAM DETAILS**  
S.N. 025-0107 & 025-0108

SHEET NO. 4 58 SHEETS	F.A.I. RTE.	SECTION	COUNTY	TOTAL SHEETS	SHEET NO.
	70	(25-3)B	EFFINGHAM	1416	36
SN 025-0107 & 025-0108			CONTRACT NO. 74296		
FED. ROAD DIST. NO. 7 ILLINOIS FED. AID PROJECT 70					

**BERNARDIN LOCHMUELLER & ASSOCIATES, INC.**  
3 Oak Drive  
Maryville, IL 62062-5686  
Local (618) 288-4665  
Fax 618-288-4666