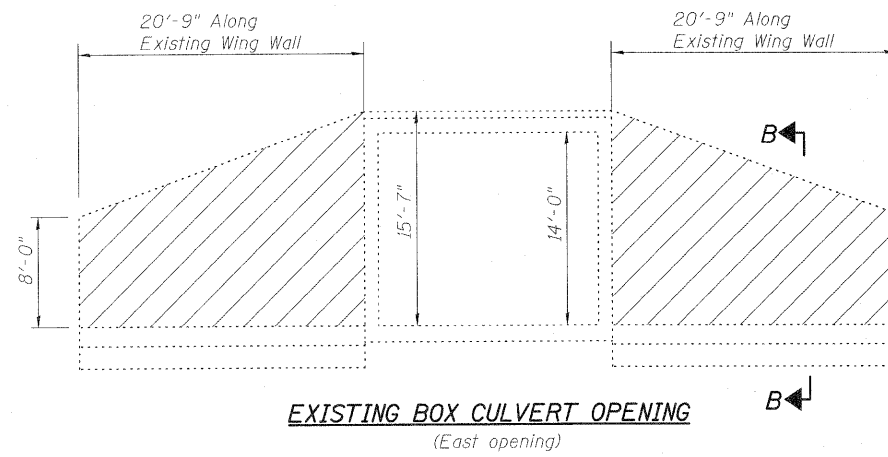
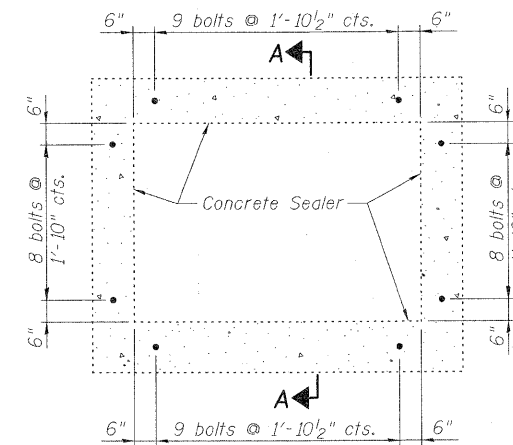


STATE OF ILLINOIS
DEPARTMENT OF TRANSPORTATION

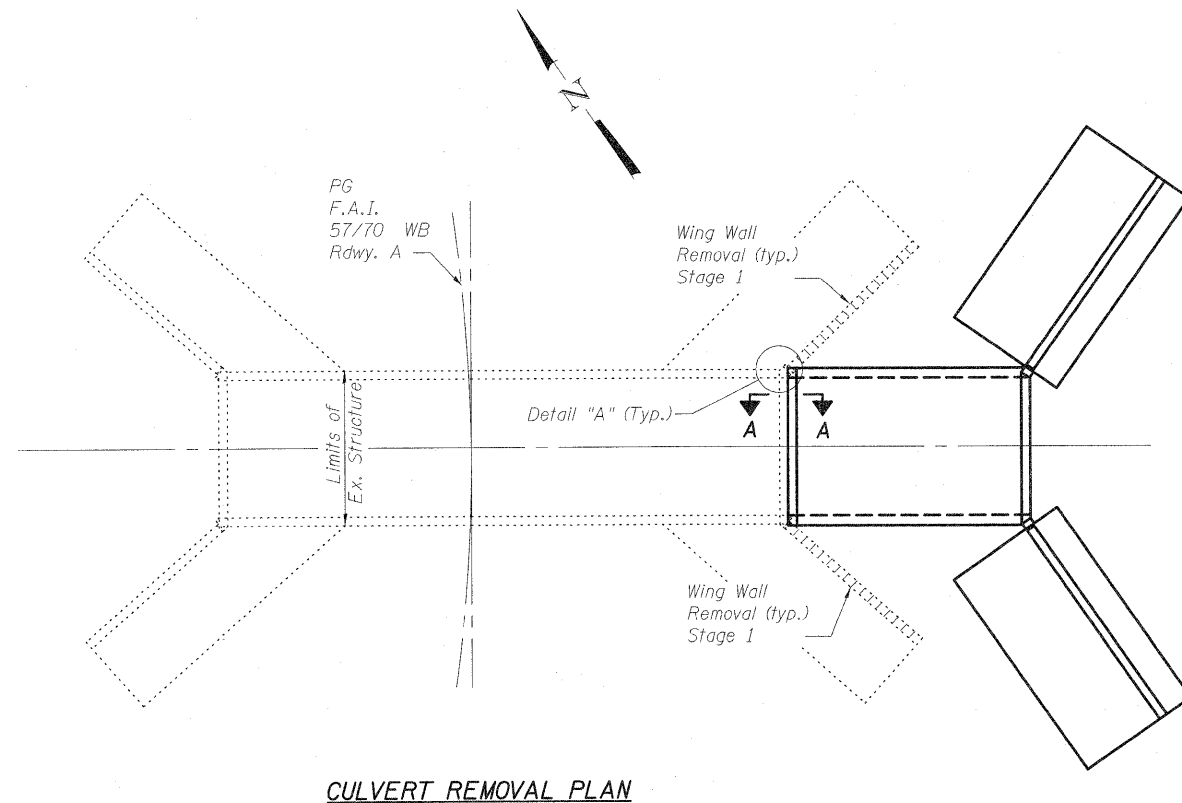
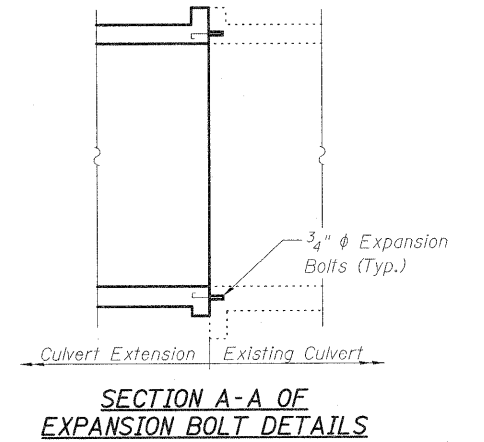


Indicates Concrete Removal.
 Existing wingwalls shall be removed to the top of footings. Removal of existing wingwall shall be paid for as Concrete Removal.

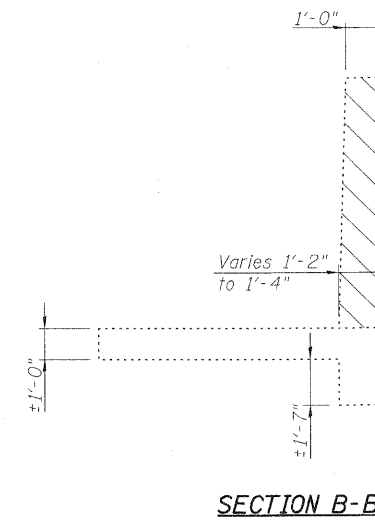


EXPANSION BOLT INSTALLATION FOR CULVERT EXTENSIONS

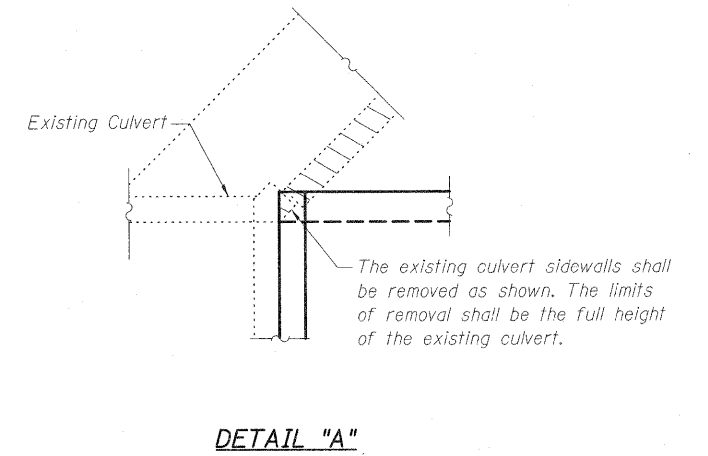
(Expansion bolts shall be $\frac{3}{4}$ " ϕ hooked bolts. The hooked bolts shall extend 9" into the new concrete)



CULVERT REMOVAL PLAN



SECTION B-B



DETAIL "A"

BILL OF MATERIAL

ITEM	UNIT	TOTAL
Concrete Removal	Cu. Yd.	23.8
Expansion Bolts $\frac{3}{4}$ "	Each	34

DESIGNED	B.B.
CHECKED	C.J.F.
DRAWN	W.J.S.
CHECKED	C.J.F. & B.B.

**CONCRETE REMOVAL & EXPANSION BOLT DETAILS
STRUCTURE NO. 025-2017**

SHEET NO. 3 8 SHEETS	F.A.I. RTE.	SECTION	COUNTY	TOTAL SHEETS	SHEET NO.
	70	(25-3)BY	EFFINGHAM	1416	461
SN 025-2017			CONTRACT NO. 74296		
FED. ROAD DIST. NO. 7 ILLINOIS FED. AID PROJECT					



**BERNARDIN
LOCHMUELLER &
ASSOCIATES, INC.**

3 Oak Drive
Maryville, IL 62062-5635
Local (618) 288-4965
Fax 618-288-4966