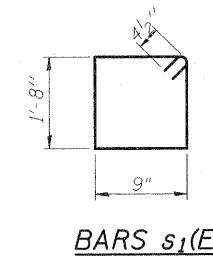
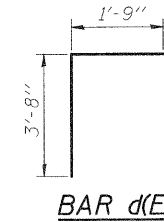
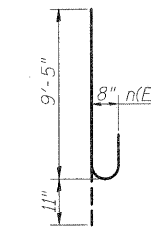
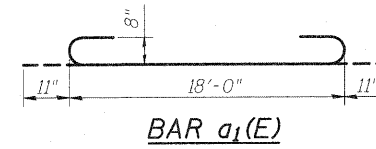
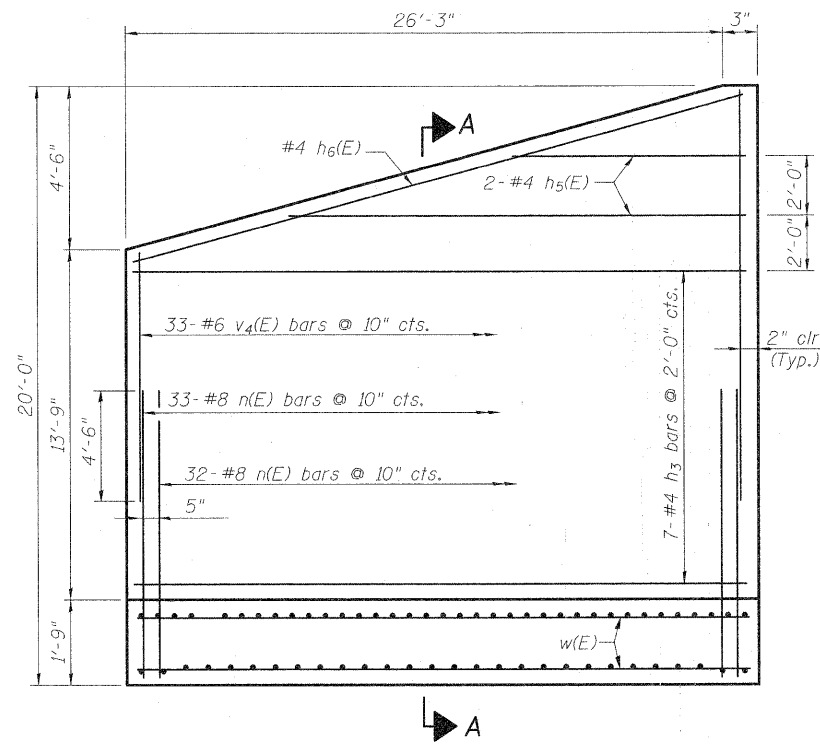
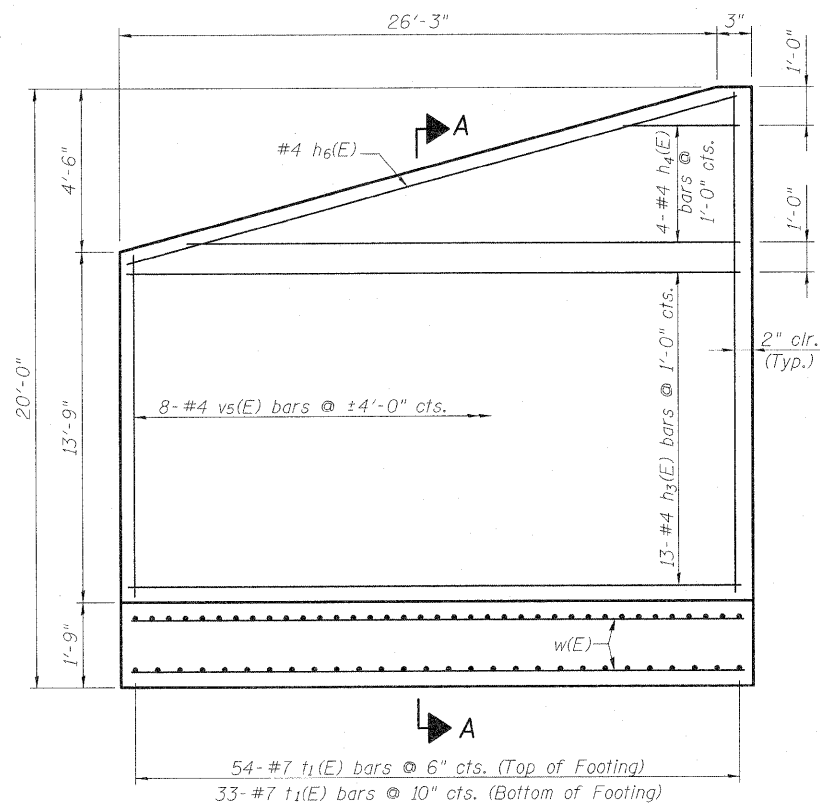


STATE OF ILLINOIS  
DEPARTMENT OF TRANSPORTATION

BILL OF MATERIAL

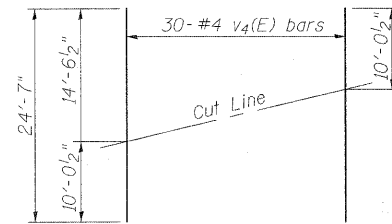
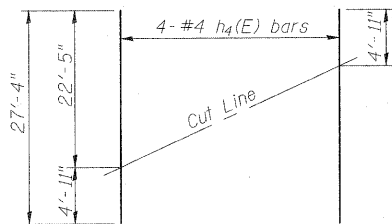
Bar	No.	Size	Length	Shape
a <sub>1</sub> (E)	116	#8	19'-10"	
a <sub>2</sub> (E)	33	#4	18'-0"	
d(E)	31	#4	5'-5"	
h <sub>1</sub> (E)	136	#6	28'-11"	
h <sub>2</sub> (E)	6	#7	18'-0"	
h <sub>3</sub> (E)	40	#4	26'-2"	
h <sub>4</sub> (E)	4	#4	27'-4"	
h <sub>5</sub> (E)	2	#4	32'-0"	
h <sub>6</sub> (E)	4	#4	26'-6"	
n(E)	130	#8	10'-4"	
s <sub>1</sub> (E)	51	#4	5'-7"	
t <sub>1</sub> (E)	174	#7	13'-1"	
v(E)	122	#7	14'-7"	
v <sub>1</sub> (E)	118	#7	4'-5"	
v <sub>2</sub> (E)	32	#5	13'-4"	
v <sub>3</sub> (E)	4	#7	8'-0"	
v <sub>4</sub> (E)	33	#6	24'-8"	
v <sub>5</sub> (E)	8	#4	31'-8"	
w(E)	40	#5	26'-2"	
Concrete Box Culverts			Cu. Yd.	172.5
Reinforcement Bars, Epoxy Coated			Pound	29,800
Concrete Sealer			Sq. Yd.	798



FRONT FACE

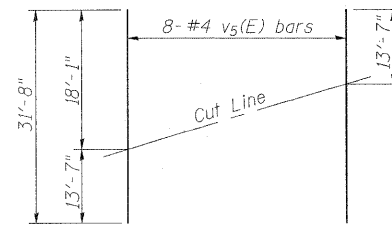
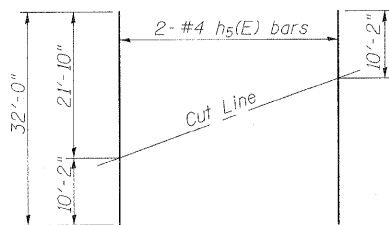
BACK FACE

EAST WINGWALL REINFORCEMENT



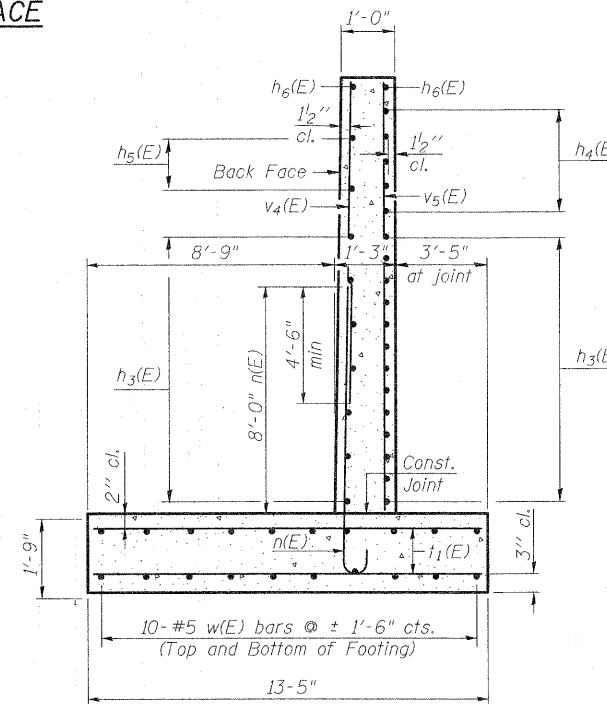
FIELD CUTTING DIAGRAM  
(h<sub>4</sub>(E) bars Front Face)

FIELD CUTTING DIAGRAM  
(v<sub>4</sub>(E) bars Back Face)



FIELD CUTTING DIAGRAM  
(h<sub>5</sub>(E) bars Back Face)

FIELD CUTTING DIAGRAM  
(v<sub>5</sub>(E) bars Front Face)



SECTION A-A

EAST EXTENSION WING WALLS  
STRUCTURE NO. 025-2017

DESIGNED	B.B.
CHECKED	C.J.F.
DRAWN	W.J.S.
CHECKED	C.J.F. & B.B.

Order bars full length. Cut as shown and use remainder of bars in opposite wing.



BERNARDIN  
LOCHMUELLER &  
ASSOCIATES, INC.

3 Oak Drive  
Maryville, IL 62963-6635  
Local (618) 288-4665  
Fax 618-288-4666

SHEET NO. 6 8 SHEETS	F.A.I. RTE.	SECTION	COUNTY	TOTAL SHEETS	SHEET NO.
	70	(25-3)BY	EFFINGHAM	1416	464
SN 025-2017			CONTRACT NO. 74296		
FED. ROAD DIST. NO. 7 ILLINOIS FED. AID PROJECT					