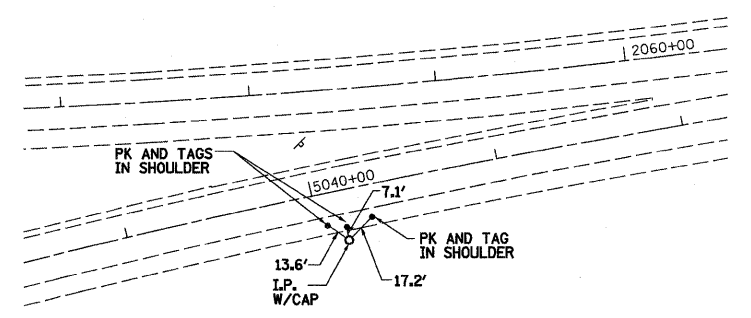
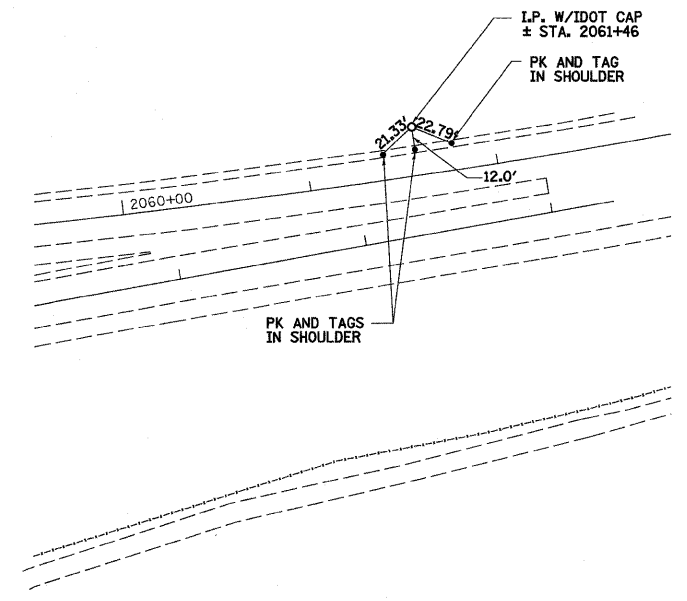


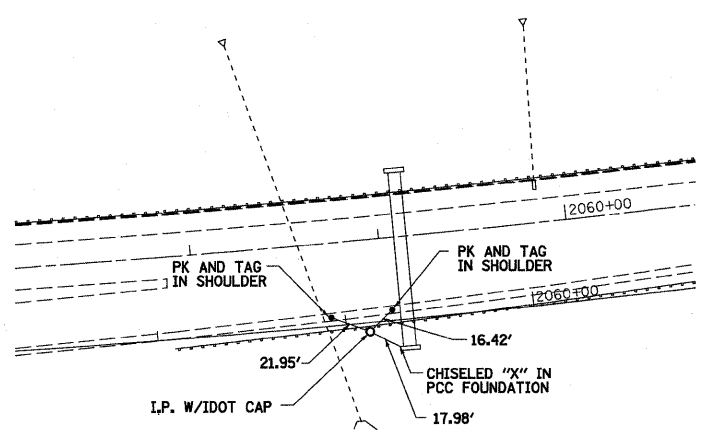
TRAVERSE/P.O.T. NUMBER 435



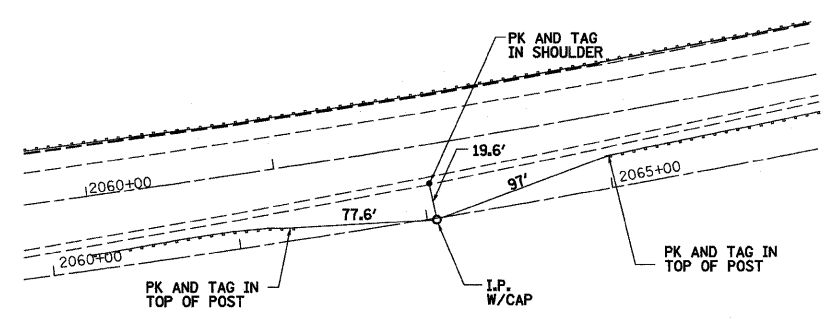
TRAVERSE/P.O.T. NUMBER 436



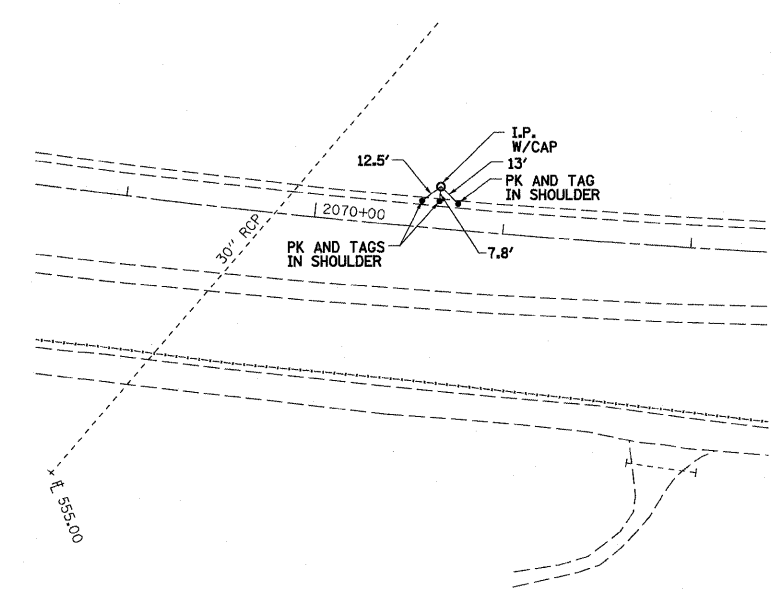
TRAVERSE/P.O.T. NUMBER 20201



TRAVERSE/P.O.T. NUMBER 20851



TRAVERSE/P.O.T. NUMBER 434



TRAVERSE/P.O.T. NUMBER 437

FILE NAME =	USER NAME =	DESIGNED - JWS	REVISED -	STATE OF ILLINOIS DEPARTMENT OF TRANSPORTATION	TIE POINTS, FAI ROUTES 57/70			F.A.I. RTE.	SECTION	COUNTY	TOTAL SHEETS	SHEET NO.	
S:\Projects\437\437-70.dwg		DRAWN - MAB	REVISED -		SCALE: 1"=50'	SHEET NO. 5 OF 6 SHEETS	STA.	TO STA.	57/70	(25-3)BR	EFFINGHAM	1416	1348
		CHECKED - BRM	REVISED -										
		DATE - 1-21-09	REVISED -										
CONTRACT NO. 74296													
FED. ROAD DIST. NO. ILLINOIS FED. AID PROJECT													