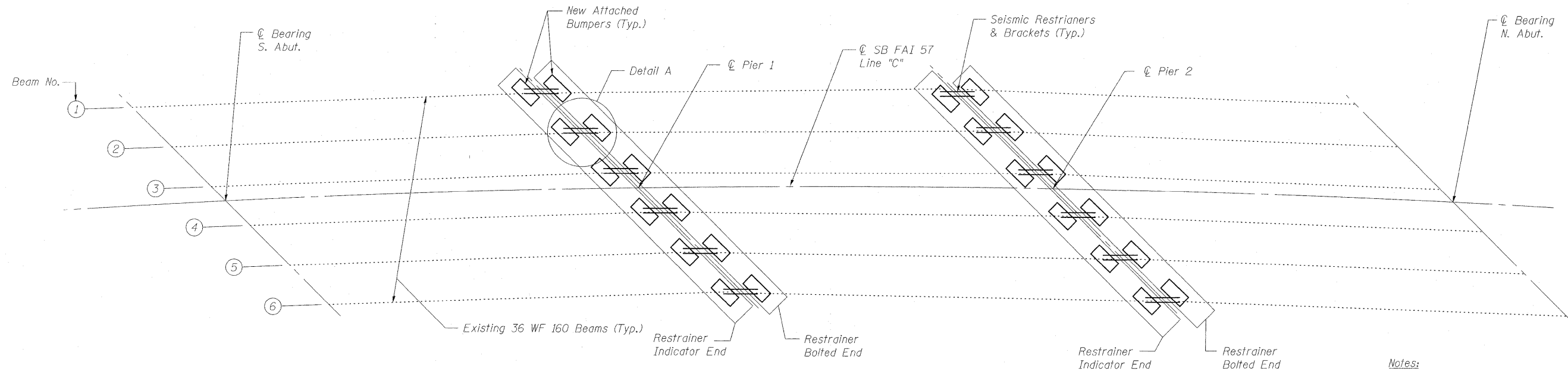
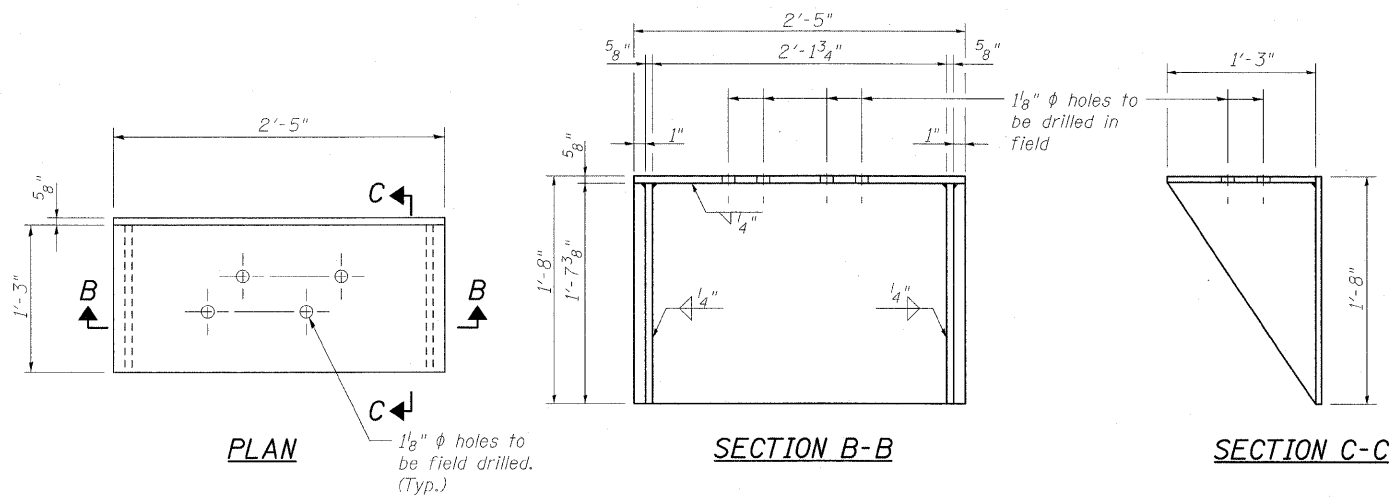


STATE OF ILLINOIS  
DEPARTMENT OF TRANSPORTATION

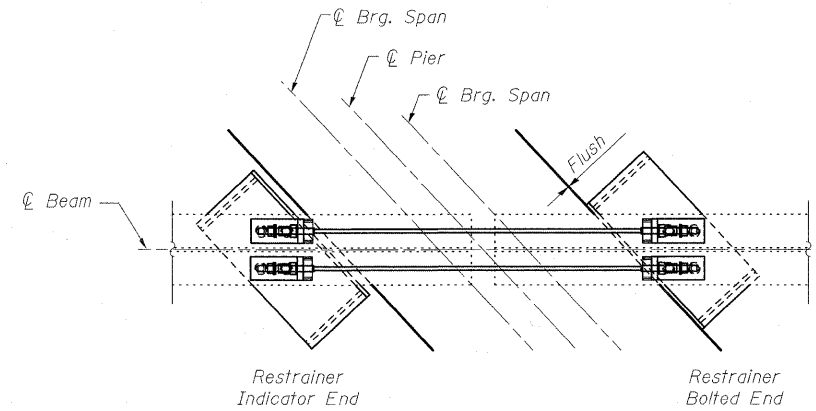


**FRAMING PLAN**

*Notes:*  
See Sheet 13 of 27 for additional Details,  
Notes, Bill of Materials and Pier 2 Plan at  
Beams 1 and 6.



**BUMPER DETAILS**  
(24 Required)



**DETAIL A  
GENERAL PLAN SHOWING  
RESTRAINER, BRACKETS &  
BUMPERS**

DESIGNED	B.B.
CHECKED	C.J.F.
DRAWN	W.J.S.
CHECKED	C.J.F. & B.B.

**BUMPER DETAILS  
STRUCTURE NO. 025-0001**



**BERNARDIN  
LOCHMUELLER &  
ASSOCIATES, INC.**

3 Oak Drive  
Maryville, IL 62132-5935  
Local (618) 288-4665  
Fax 618-288-4666

SHEET NO. 12 27 SHEETS	F.A.I. RTE.	SECTION	COUNTY	TOTAL SHEETS	SHEET NO.
	57	(25-3HB)I-2	EFFINGHAM	1416	1366
SN 025-0001			CONTRACT NO. 74296		
FED. ROAD DIST. NO. 7   ILLINOIS FED. AID PROJECT					