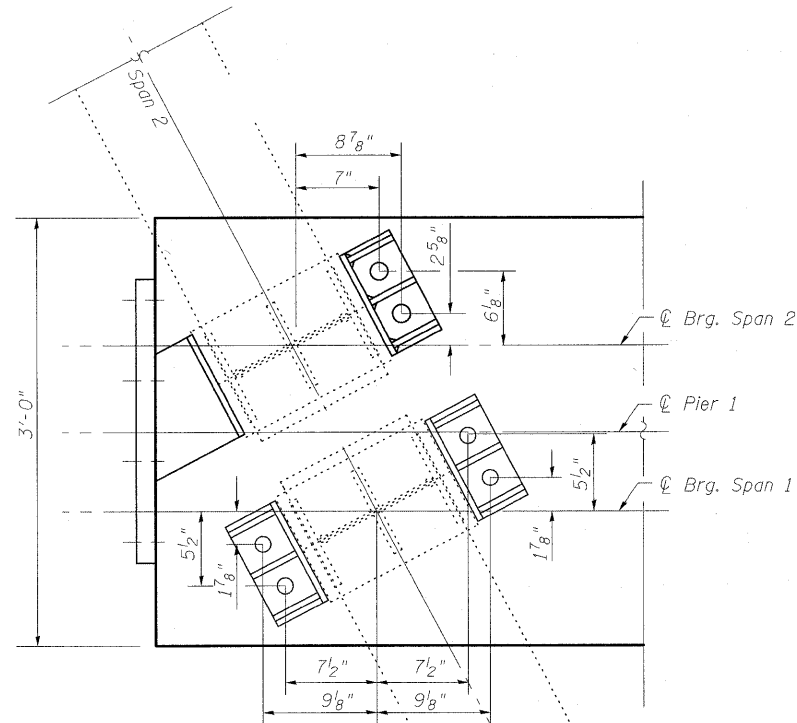
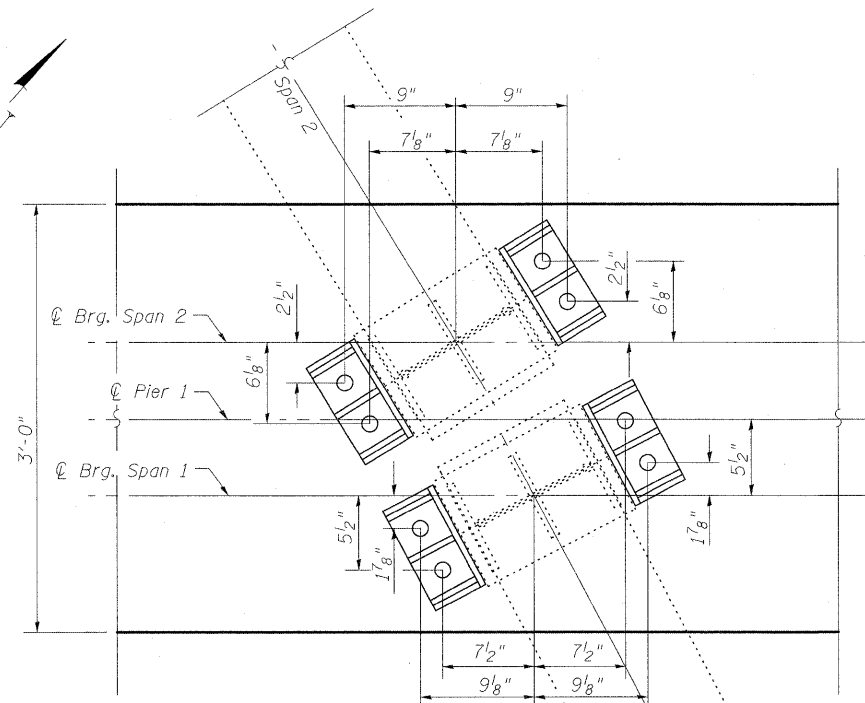


STATE OF ILLINOIS  
DEPARTMENT OF TRANSPORTATION



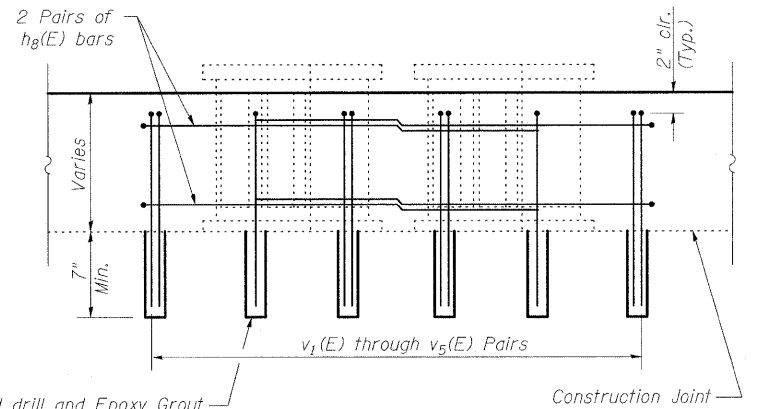
**DETAIL A**

(Showing Side Retainer & Anchor Bolt Layout)



**DETAIL B**

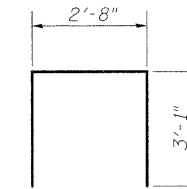
(Showing Side Retainer & Anchor Bolt Layout)



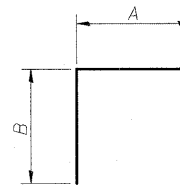
**SECTION B-B**

Notes:

Bars shall be drilled and grouted according to Section 584 of the Standard Specifications. Concrete Sealer shall be applied only to exposed surfaces of the new concrete on Pier 1.



**BAR h8(E)**



**s4(E) & v(E) BARS**

Bar	A	B
s4(E)	2'-8"	1'-4"
v1(E)	3'-3"	1'-4"
v2(E)	8"	1'-4"
v3(E)	1'-8"	1'-4"
v4(E)	2'-8"	1'-4"

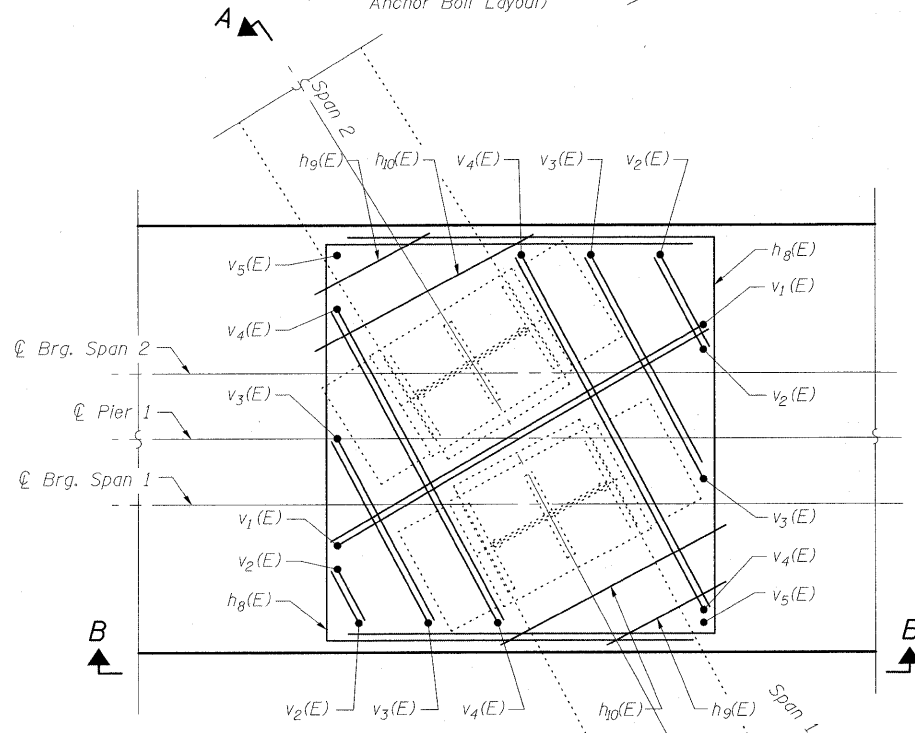
**MIN BAR LAP**

#5 bar = 1'-8"

**BILL OF MATERIAL  
PIER 1**

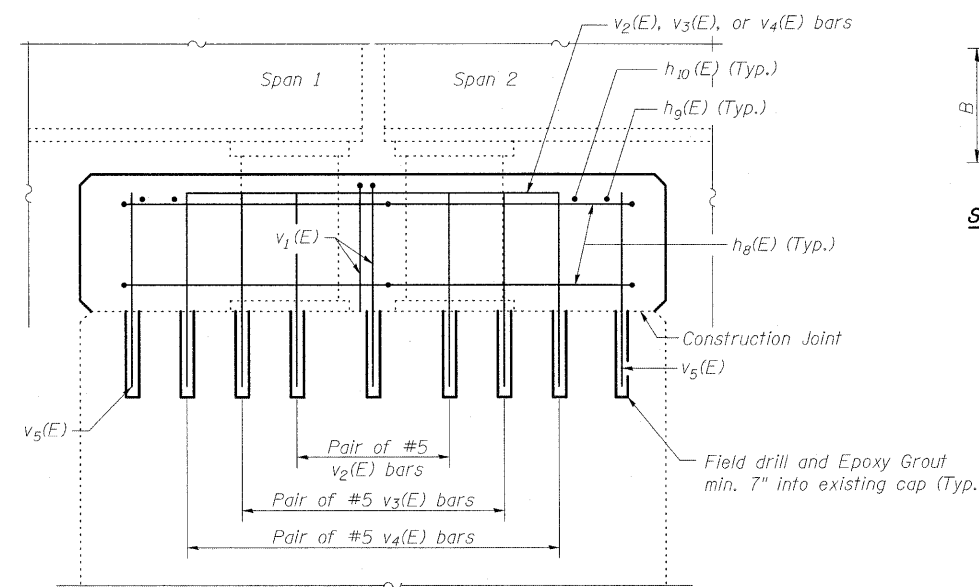
Bar	No.	Size	Length	Shape
h8(E)	16	#5	8'-10"	□
h9(E)	8	#5	0'-6"	—
h10(E)	8	#5	1'-6"	—
p1(E)	4	#5	6'-11"	—
p6(E)	4	#5	5'-2"	—
p7(E)	12	#5	1'-10"	—
s4(E)	40	#5	4'-0"	┌
v1(E)	8	#5	4'-7"	┌
v2(E)	16	#5	2'-0"	┌
v3(E)	16	#5	3'-0"	┌
v4(E)	16	#5	4'-0"	┌
v5(E)	8	#5	1'-4"	—
Concrete Sealer	Sq. Ft.	134		
Concrete Structures	Cu. Yd.	2.6		
Reinforcement Bars, Epoxy Coated	Pound	610		

**PIER 1 DETAILS  
STRUCTURE NO. 025-0018**



**DETAIL A & B**

(Showing Reinforcement)  
(All reinforcement shown is #5 bars.)



**SECTION A-A**

(All v(E) bars shown are drilled and grouted)  
Side Retainers not shown for clarity.

DESIGNED	B.B.
CHECKED	C.J.F.
DRAWN	W.J.S.
CHECKED	C.J.F. & B.B.



**BERNARDIN  
LOCHMUELLER &  
ASSOCIATES, INC.**

3 Oak Drive  
Maryville, IL 62452-5685  
Local (618) 388-4665  
Fax 618-288-4666

SHEET NO. 24 36 SHEETS	F.A.I. RTE. 57	SECTION (25-3HB)-3	COUNTY EFFINGHAM	TOTAL SHEETS 1416	SHEET NO. 1405
	SN 025-0018		CONTRACT NO. 74296		
FED. ROAD DIST. NO. 7 ILLINOIS FED. AID PROJECT					