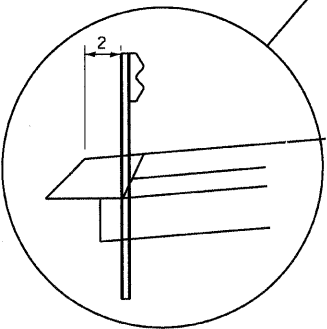
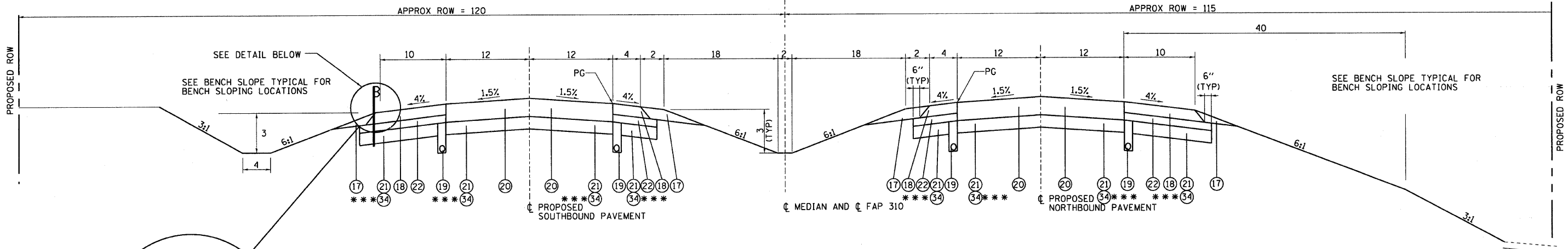


FAP ROUTE	SECTION	COUNTY	TOTAL SHEETS	SHEET NO.
310	60-16-1&1B,42-1&1B	MADISON AND JERSEY	481	19
STA		TO STA		
EXISTING CONDITIONS:				

CONTRACT NO. 76318

PLAN	DATE
SURVEYED	
PLOTTED	
INSTRUMENTED	
BY	
NO.	
CADD FILE NAME	



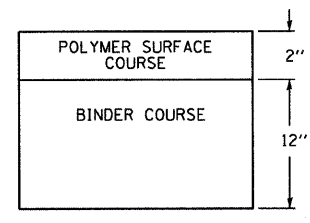
DETAIL OF GUARDRAIL
SEE GUARDRAIL SCHEDULE FOR LOCATIONS

TYPICAL SECTION - FAP 310
 STA 225+00 TO STA 228+25 RT SIDE ONLY
 STA 228+25.00 TO STA 233+90
 ** STA 300+10 TO STA 331+32.50 (NB)
 ** STA 300+10 TO STA 337+00 (SB)
 *** STA 300+10 TO STA 310+69
 ** PAVEMENT OMISSION
 STA 317+05.74 TO STA 319+91.58

MATERIAL LEGEND:

- | | |
|--|--|
| ⑰ AGGREGATE SHOULDERS, TYPE B | ⑳ AGGREGATE BASE COURSE, TYPE B, 8" |
| ⑱ HOT-MIX ASPHALT SHOULDERS, 8" | ㉑ BITUMINOUS SURFACE TREATMENT, CLASS A-2 |
| ㉒ PIPE UNDERDRAIN 4" | ㉒ AGGREGATE BASE COURSE, TYPE A, 10 1/2" |
| ㉓ HOT-MIX ASPHALT PAVEMENT (FULL DEPTH) 14" | ㉓ AGGREGATE BASE COURSE, TYPE A, 10 3/4" |
| ㉔ LIME MODIFIED SOILS 12" | ㉔ AGGREGATE SURFACE COURSE, TYPE A, 17" |
| ㉕ SUBBASE GRANULAR MATERIAL, TYPE C 6" | ㉕ AGGREGATE SURFACE COURSE, TYPE A, 11" |
| ㉖ HOT-MIX ASPHALT SURFACE COURSE, MIX "D", N90, 1 1/2" | ㉖ AGGREGATE SURFACE COURSE, TYPE A, 11 1/2" |
| ㉗ HOT-MIX ASPHALT BINDER COURSE, IL-19.0, N90, 3 1/2" AND VARIES IN SUPERELEVATED SECTIONS | ㉗ SUBBASE GRANULAR MATERIAL TYPE B 12" |
| ㉘ HOT-MIX ASPHALT SURFACE COURSE, MIX "C", N70, 1 1/2" | ㉘ STRIP REFLECTIVE CRACK CONTROL TREATMENT |
| ㉙ LEVELING BINDER (MACHINE METHOD), N70, 1 1/2" | ㉙ HOT-MIX ASPHALT BINDER COURSE, IL-19.0, N90, 12" |
| | ㉚ AGGREGATE SURFACE COURSE, TYPE B, 6" |
| | ㉛ HOT-MIX ASPHALT BINDER COURSE, IL-19.0, N70, 12" |

ALL UNITS ARE IN FEET
UNLESS OTHERWISE SHOWN



FULL DEPTH PAVEMENT DETAIL

NOTE:
SAW CUT AND REMOVE HMA WEDGE PRIOR
TO INSTALLATION OF PIPE UNDERDRAINS, 4"

*TO BE FILLED IN AFTER MIXTURE
REQUIREMENT CHART IS DETERMINED.

REVISIONS	
NAME	DATE

ILLINOIS DEPARTMENT OF TRANSPORTATION
PROPOSED TYPICAL SECTIONS
 FAP ROUTE 310
 SECTION 60-16-1&1B,42-1&1B
 MADISON AND JERSEY COUNTIES
 DRAWN BY: DLB
 CHECKED BY: GLF