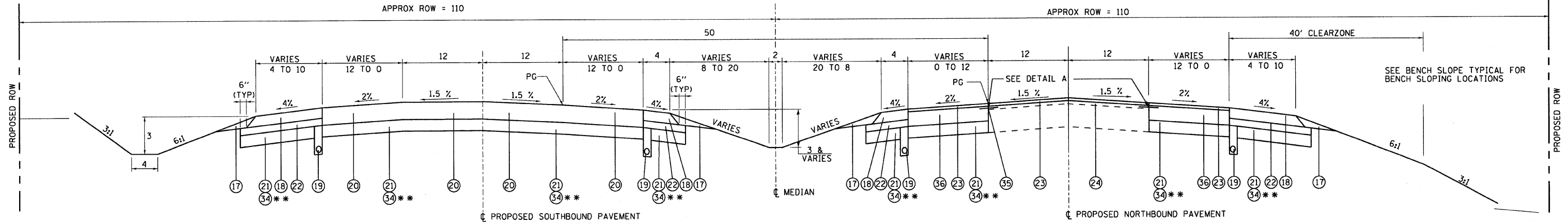


DATE: _____
 BY: _____
 SURVEYED: _____
 PLOTTED: _____
 CHECKED: _____
 NOTE BOOK NO. _____
 CADD FILE NAME: _____

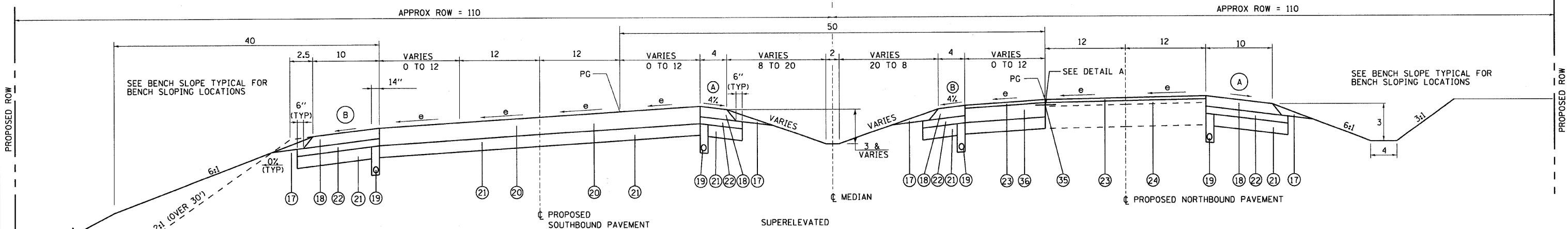
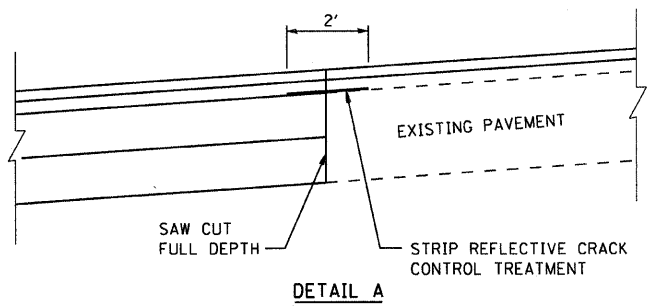


TYPICAL SECTION - FAP 310

WITH LEFT AND RIGHT TURN LANES
 STA 243+00.49 TO STA 253+60.49
 STA 256+58.52 TO STA 262+93.48
 STA 282+42.53 TO STA 293+57.47
 ** STA 282+42.53 TO STA 284+25.00 (NB LT)
 ** STA 283+04.90 TO STA 284+25.00 (NB RT)
 ** STA 293+50.00 TO STA 293+57.47 (SB RT)

MATERIAL LEGEND:

- (17) AGGREGATE SHOULDERS, TYPE B
- (18) HOT-MIX ASPHALT SHOULDERS, 8"
- (19) PIPE UNDERDRAIN 4"
- (20) HOT-MIX ASPHALT PAVEMENT (FULL DEPTH) 14"
- (21) LIME MODIFIED SOILS 12"
- (22) SUBBASE GRANULAR MATERIAL, TYPE C 6"
- (23) HOT-MIX ASPHALT SURFACE COURSE, MIX "D", N90, 1 1/2"
- (24) HOT-MIX ASPHALT BINDER COURSE, IL-19.0, N90, 3 1/2" AND VARIES IN SUPERELEVATED SECTIONS
- (25) HOT-MIX ASPHALT SURFACE COURSE, MIX "C", N70, 1 1/2"
- (26) LEVELING BINDER (MACHINE METHOD), N70, 1 1/2"
- (27) AGGREGATE BASE COURSE, TYPE B, 8"
- (28) BITUMINOUS SURFACE TREATMENT, CLASS A-2
- (29) AGGREGATE BASE COURSE, TYPE A, 10 1/2"
- (30) AGGREGATE BASE COURSE, TYPE A, 10 3/4"
- (31) AGGREGATE BASE COURSE, TYPE A, 17"
- (32) AGGREGATE SURFACE COURSE, TYPE A, 11"
- (33) AGGREGATE SURFACE COURSE, TYPE A, 11 1/2"
- (34) SUBBASE GRANULAR MATERIAL TYPE B 12"
- (35) STRIP REFLECTIVE CRACK CONTROL TREATMENT
- (36) HOT-MIX ASPHALT BINDER COURSE, IL-19.0, N90, 12"
- (37) AGGREGATE SURFACE COURSE, TYPE B, 6"
- (38) HOT-MIX ASPHALT BINDER COURSE, IL-19.0, N70, 12"



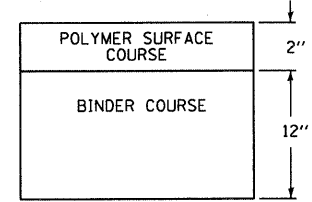
TYPICAL SECTION - FAP 310

WITH LEFT AND RIGHT TURN LANES

STA 262+93.48 TO STA 265+06.74 (LOOKING NORTH) e = 0.030 TRANSITION IN
 STA 265+06.74 TO STA 267+91.94 (LOOKING NORTH) e = 0.030

NOTE:
 SAW CUT AND REMOVE HMA WEDGE PRIOR
 TO INSTALLATION OF PIPE UNDERDRAINS, 4"

ALL UNITS ARE IN FEET
 UNLESS OTHERWISE SHOWN



- (A) SLOPE IS LESSER OF 4% OR 8% MINUS THE SE RATE
- (B) SLOPE IS THE GREATER OF 4% OR THE SE RATE

REVISIONS	
NAME	DATE

ILLINOIS DEPARTMENT OF TRANSPORTATION
PROPOSED TYPICAL SECTIONS

FAP ROUTE 310
 SECTION 60-16-1&1B,42-1&1B
 MADISON AND JERSEY COUNTIES

DRAWN BY: DLB CHECKED BY: GLF