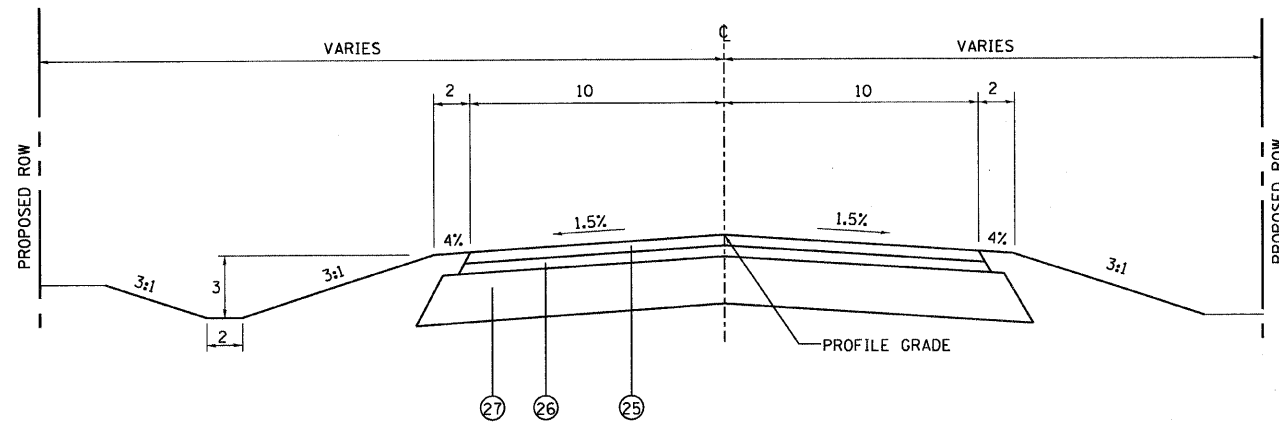


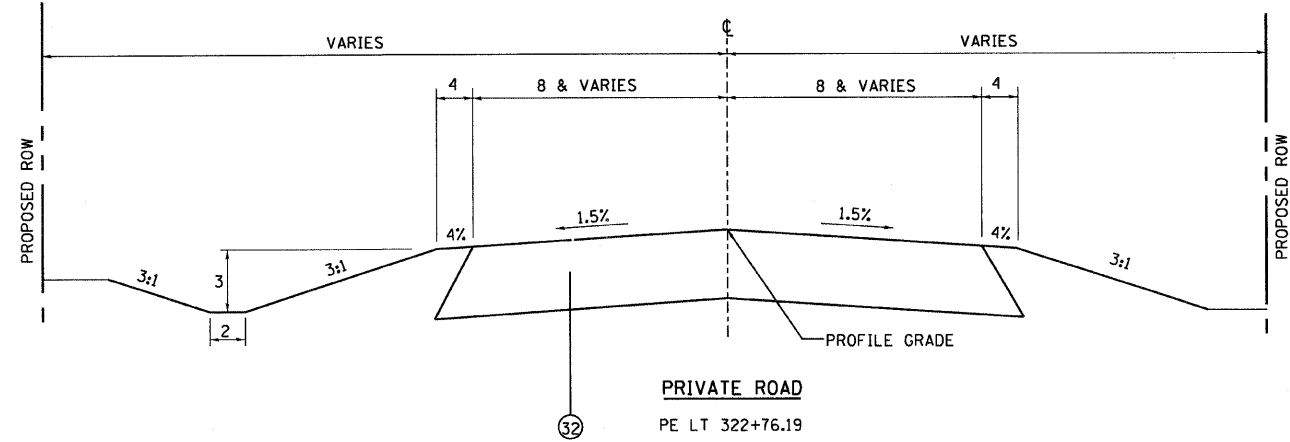
FAP ROUTE	SECTION	COUNTY	TOTAL SHEETS	SHEET NO
310	60-16-1&1B,42-1&1B	MADISON AND JERSEY	481	25
STA		TO STA		
EXISTING CONDITIONS:				

CONTRACT NO. 76318

PLAN	SURVEYED	DATE
	PLOTTED	
	CHECKED	
	BY	
	NO.	

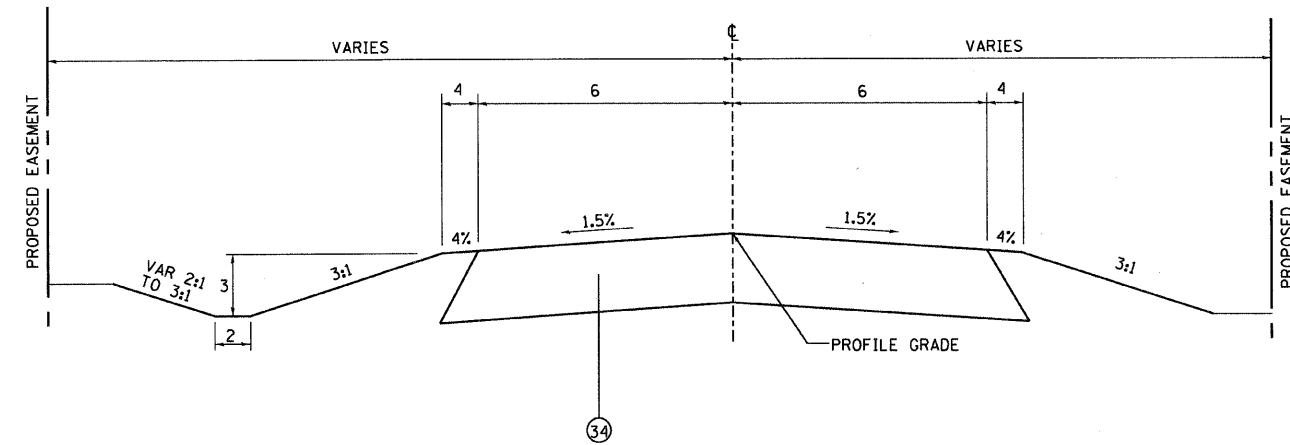


**BUNSE WAY/STAGECOACH ROAD**  
 STA 194+65.71 TO STA 199+36.52  
 STA 200+63.48 TO STA 205+80.43



**PRIVATE ROAD**  
 PE LT 322+76.19

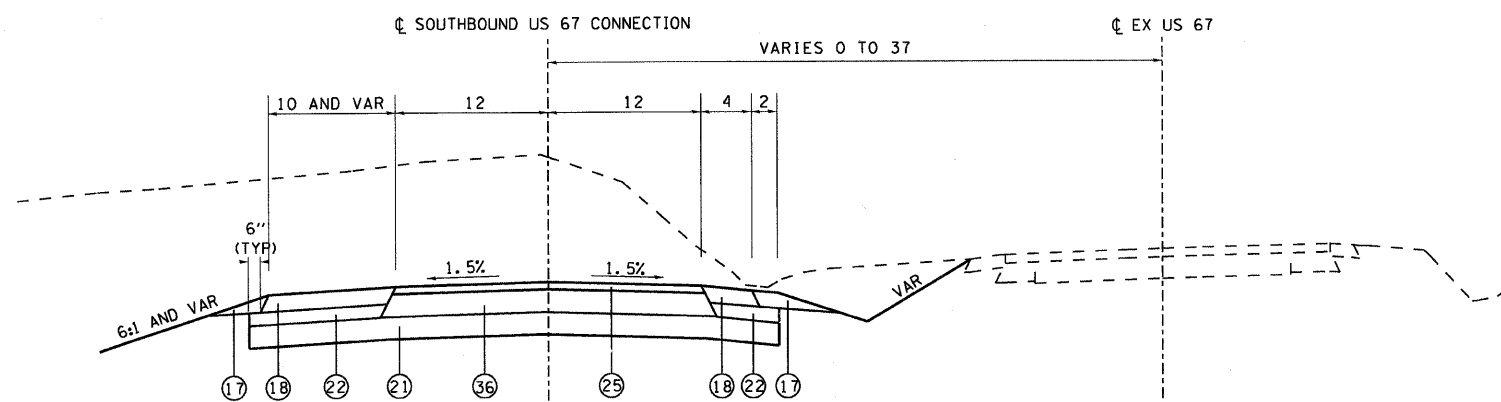
<b>STAGECOACH ROAD</b>	
STRUCTURAL DESIGN TRAFFIC:	Year <u>2014</u>
PV= <u>212</u>	SU= <u>2</u> MU= <u>1</u>
ROAD/STREET CLASSIFICATION:	Class: <u>IV</u>
PERCENT OF STRUCTURAL DESIGN TRAFFIC IN DESIGN LANE:	
P= <u>50%</u>	S= <u>50%</u> M= <u>50%</u>
TRAFFIC FACTOR:	Actual TF= <u>.001</u> AC Type= <u>20</u>
	Minimum TF= <u>DOES NOT APPLY</u>
PG GRADE: Binder= _____	Surface= _____
SUBGRADE SUPPORT RATING: IBR= <u>3.0</u>	
SSR= _____	(Sta. _____ to _____)
SSR= _____	(Sta. _____ to _____)



**PRIVATE ROAD**  
 PE LT 335+00.00

**MATERIAL LEGEND:**

- ⑰ AGGREGATE SHOULDERS, TYPE B
- ⑱ HOT-MIX ASPHALT SHOULDERS, 8"
- ⑲ PIPE UNDERDRAIN 4"
- ⑳ HOT-MIX ASPHALT PAVEMENT (FULL DEPTH) 14"
- ㉑ LIME MODIFIED SOILS 12"
- ㉒ SUBBASE GRANULAR MATERIAL, TYPE C 6"
- ㉓ HOT-MIX ASPHALT SURFACE COURSE, MIX "D", N90, 1 1/2"
- ㉔ HOT-MIX ASPHALT BINDER COURSE, IL-19.0, N90, 3/2" AND VARIES IN SUPERELEVATED SECTIONS
- ㉕ HOT-MIX ASPHALT SURFACE COURSE, MIX "C", N70, 1 1/2"
- ㉖ LEVELING BINDER (MACHINE METHOD), N70, 1 1/2"
- ㉗ AGGREGATE BASE COURSE, TYPE B, 8"
- ㉘ BITUMINOUS SURFACE TREATMENT, CLASS A-2
- ㉙ AGGREGATE BASE COURSE, TYPE A, 10 1/2"
- ㉚ AGGREGATE BASE COURSE, TYPE A, 10 3/4"
- ㉛ AGGREGATE BASE COURSE, TYPE A, 17"
- ㉜ AGGREGATE SURFACE COURSE, TYPE A, 11"
- ㉝ AGGREGATE SURFACE COURSE, TYPE A, 11 1/2"
- ㉞ SUBBASE GRANULAR MATERIAL TYPE B 12"
- ㉟ STRIP REFLECTIVE CRACK CONTROL TREATMENT
- ㊱ HOT-MIX ASPHALT BINDER COURSE, IL-19.0, N90, 12"
- ㊲ AGGREGATE SURFACE COURSE, TYPE B, 6"
- ㊳ HOT-MIX ASPHALT BINDER COURSE, IL-19.0, N70, 12"



**TYPICAL SECTION - CROSSOVER C SOUTHBOUND US 67 CONNECTION**  
 NOT TO SCALE  
 STA 337+00.00 TO STA 342+57.86

ALL UNITS ARE IN FEET  
 UNLESS OTHERWISE SHOWN

REVISIONS	
NAME	DATE

ILLINOIS DEPARTMENT OF TRANSPORTATION  
**PROPOSED TYPICAL SECTIONS**  
 SIDEROADS  
 FAP ROUTE 310  
 SECTION 60-16-1&1B,42-1&1B  
 MADISON AND JERSEY COUNTIES  
 DRAWN BY: DLB CHECKED BY: GLF