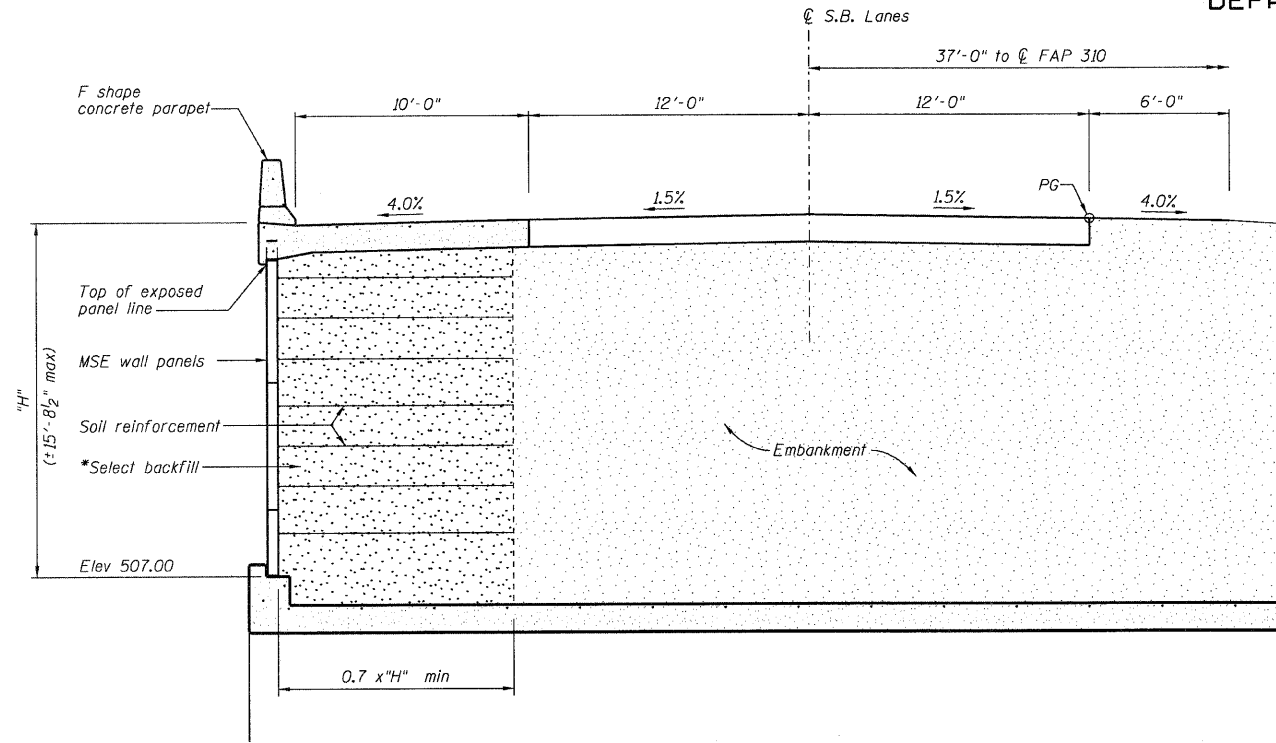
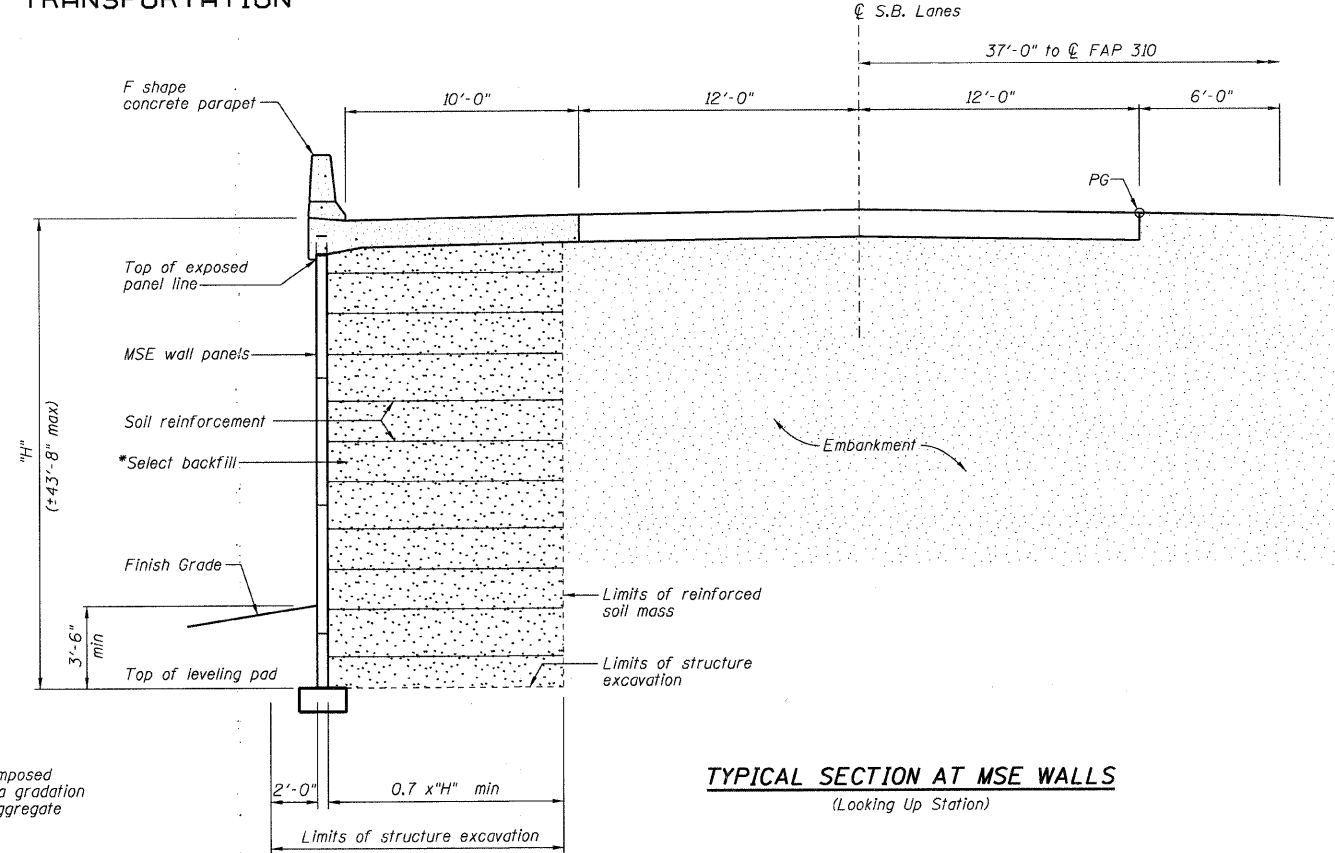


STATE OF ILLINOIS  
DEPARTMENT OF TRANSPORTATION



**TYPICAL MSE WALL SECTION AT CONCRETE ARCH**  
(Looking Up Station)

\*Select backfill shall be composed of coarse aggregate with a gradation of CA6 thru CA16. Fine aggregate shall not be used.



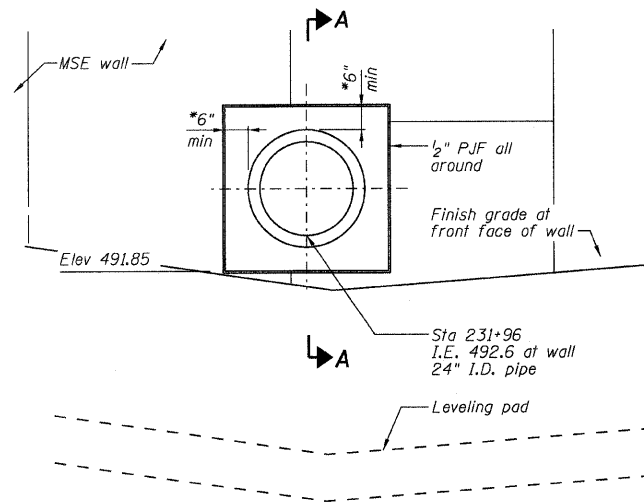
**TYPICAL SECTION AT MSE WALLS**  
(Looking Up Station)

**NOTES:**

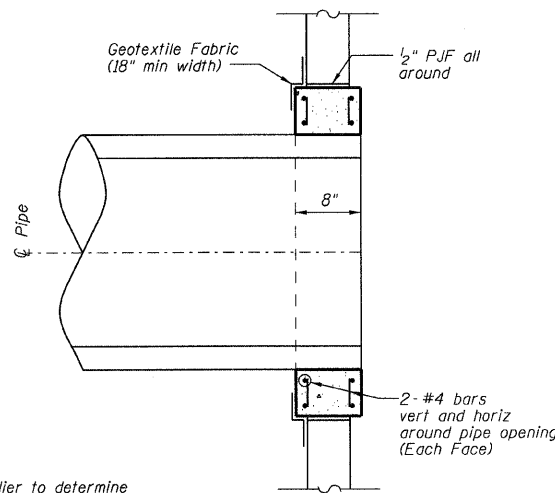
Cast in place panel shall be included in the contract unit price for MSE Walls.  
The MSE wall supplier's internal stability design shall account for the anchorage slab's bearing pressure surcharge of 1.0 ksf and horizontal sliding force of 0.5 kips/ft of wall.

**TOTAL BILL OF MATERIAL**

Item	Unit	Quantity
Mechanically Stabilized Earth Retaining Wall	Sq Ft	16,420
Structure Excavation	Cu Yd	2,059
Rock Excavation for Structures	Cu Yd	1034
Reinforcement Bars, Epoxy Coated	Pound	88,560
Concrete Superstructure	Cu Yd	619.0
Protective Coat	Sq Yd	1478
Drainage Structures, Type 1A with One Type 20 Frame and Grate	Each	1



**CAST IN PLACE PANEL FOR PIPE PASS THROUGH**



**SECTION A-A**

\*Wall Supplier to determine required dimensions

DESIGNED -	BWP
CHECKED -	CWC
DRAWN -	R KING
CHECKED -	CWC

**HOMER L. CHASTAIN & ASSOCIATES, LLP**  
CONSULTING ENGINEERS  
DECATUR (217) 422-8544  
CHICAGO (773) 714-0050  
ROCKFORD (815) 489-0050  
184-001397

**MSE WALL DETAILS**  
**FAP ROUTE 310 (US 67)**  
**OVER LITTLE PIASA CREEK**  
**SECTION 60-16-1-1B**  
**MADISON COUNTY**  
**STATION 229+95.92**  
**STRUCTURE NUMBER 060-W005**

SHEET NO. 2 OF 8 SHEETS	F.A.P. RTE.	SECTION	COUNTY	TOTAL SHEETS	SHEET NO.
	310	60-16-1-1B	MADISON	481	178
FAP ROUTE 310 (US 67)			CONTRACT NO. 76318		
FED. ROAD DIST. NO. ILLINOIS FED. AID PROJECT					