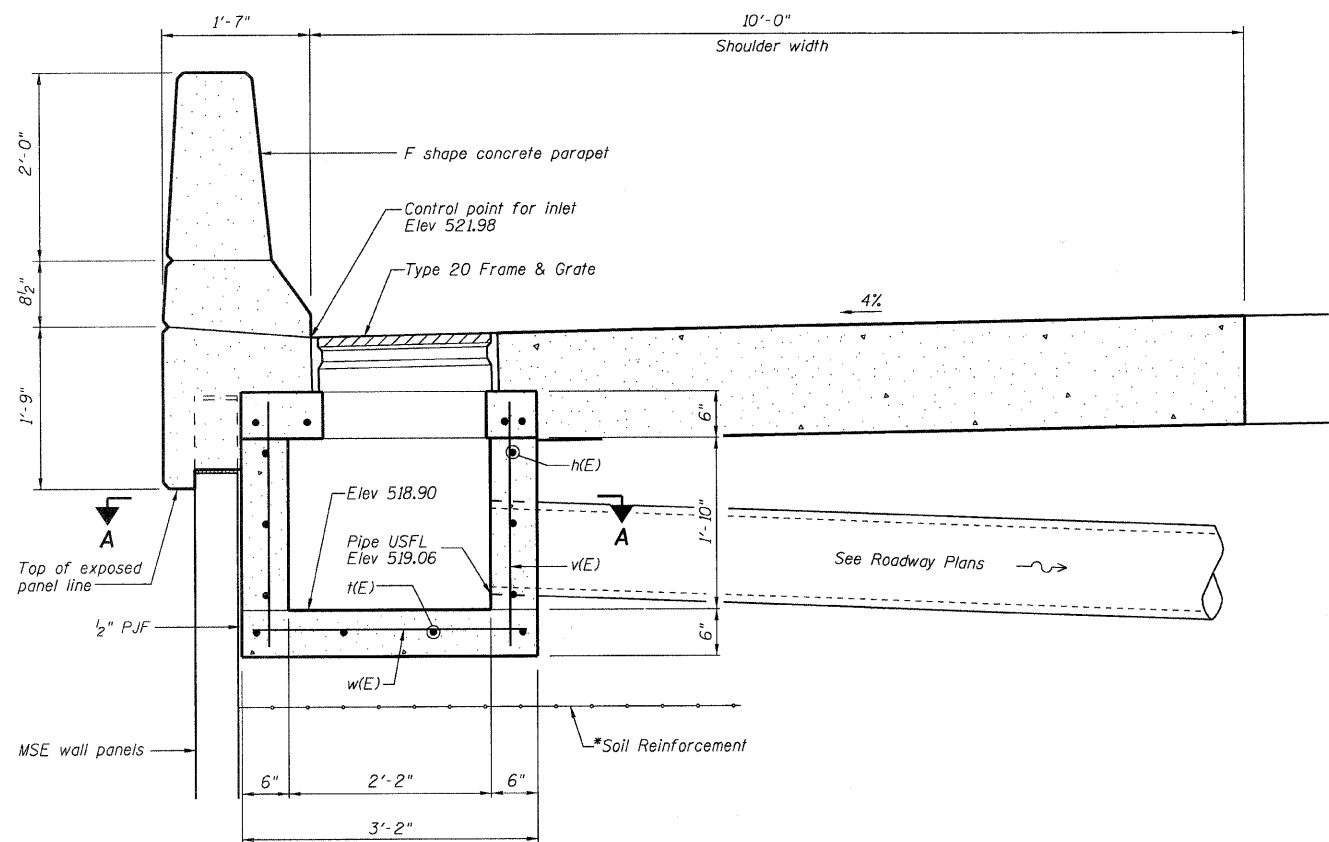
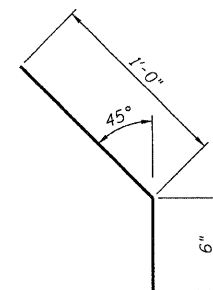


STATE OF ILLINOIS
DEPARTMENT OF TRANSPORTATION



SECTION THRU DRAINAGE STRUCTURE WITH TYPE 20 F & G

*MSE supplier to design load transfer system to accommodate concrete pipe and drainage structure.

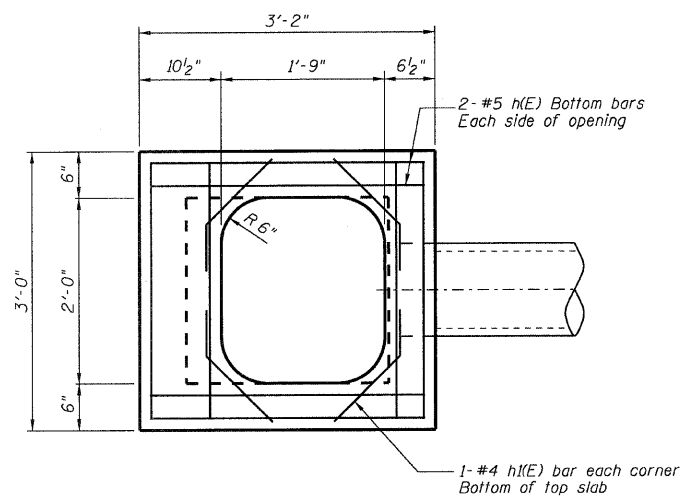


BAR h(E)

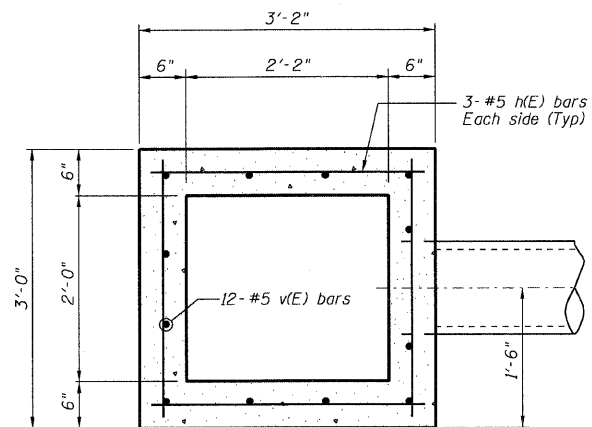
BILL OF MATERIAL

Bar	No	Size	Length	Shape
h(E)	20	#5	2'-8"	—
h(E)	4	#4	1'-6"	↘
h2(E)	4	#4	1'-6"	—
k(E)	4	#5	2'-8"	—
v(E)	12	#4	2'-7"	—
w(E)	4	#5	2'-10"	—
Drainage Structures	Each		1	

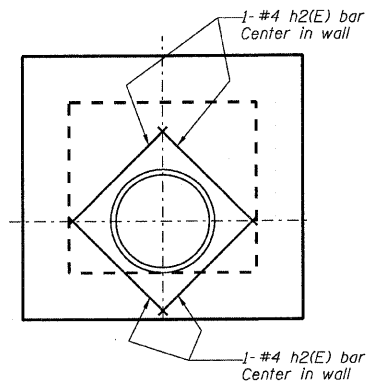
Reinforcement bars designated (E) shall be epoxy coated.



REINFORCED LID FOR TYPE 20 F & G



SECTION A-A



REINFORCEMENT DETAIL AT PIPE OPENING

NOTES:

1. Drainage structure shall conform to Highway Standard 602.101 except as noted.
2. Reinforcement for structure walls and base slab shall be in accordance with Std. 602.101 for depths up to 8'-0".
3. Frame, grate, concrete and reinforcement shall be included in the contract unit price for Drainage Structures.

DRAINAGE STRUCTURE DETAILS
FAP ROUTE 310 (US 67)
OVER LITTLE PIASA CREEK
SECTION 60-16-1-1B
MADISON COUNTY
STATION 229+95.92
STRUCTURE NUMBER 060-W005

DESIGNED -	BWP
CHECKED -	CWC
DRAWN -	R KING
CHECKED -	CWC

HOMER L. CHASTAIN & ASSOCIATES, LLP
CONSULTING ENGINEERS
DECATUR (217) 422-8544
CHICAGO (773) 714-0050
ROCKFORD (815) 489-0050
184-001397

SHEET NO. 6	F.A.P. RTE.	SECTION	COUNTY	TOTAL SHEETS	SHEET NO.
	310	60-16-1-1B	MADISON	481	182
OF 8 SHEETS	FAP ROUTE 310 (US 67)		CONTRACT NO. 76318		
FED. ROAD DIST. NO.		ILLINOIS	FED. AID PROJECT		