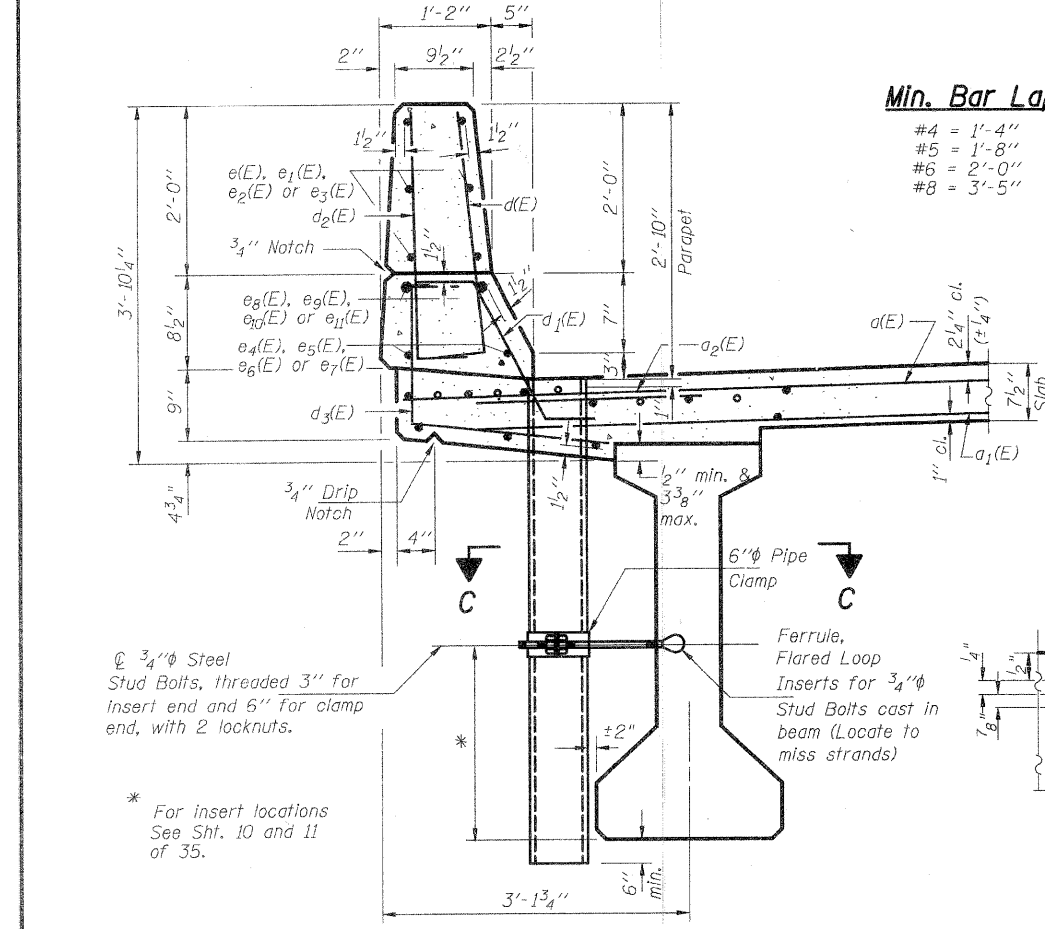
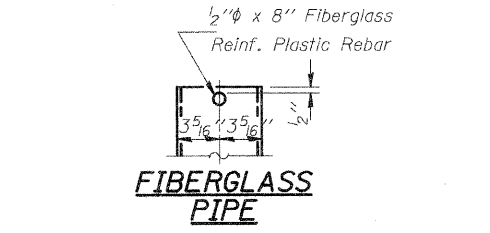


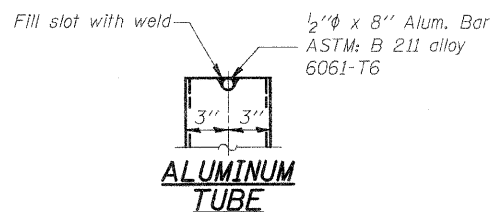
**INSIDE ELEVATION OF PARAPET**  
 West Parapet (Looking West)  
 East Parapet similar by rotation of 180°



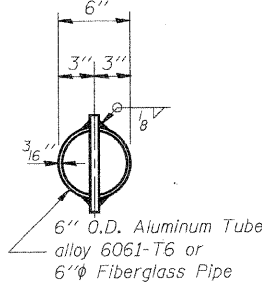
**SECTION THRU PARAPET**



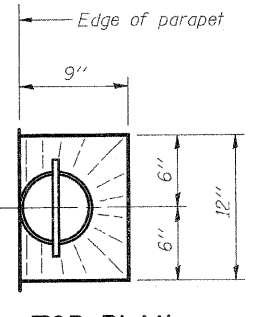
**FIBERGLASS PIPE**



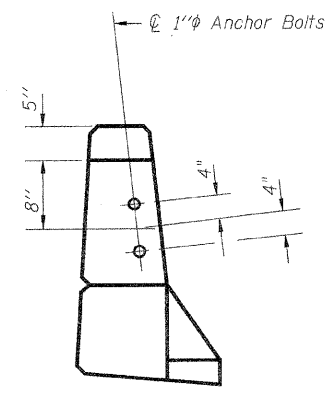
**ALUMINUM TUBE**



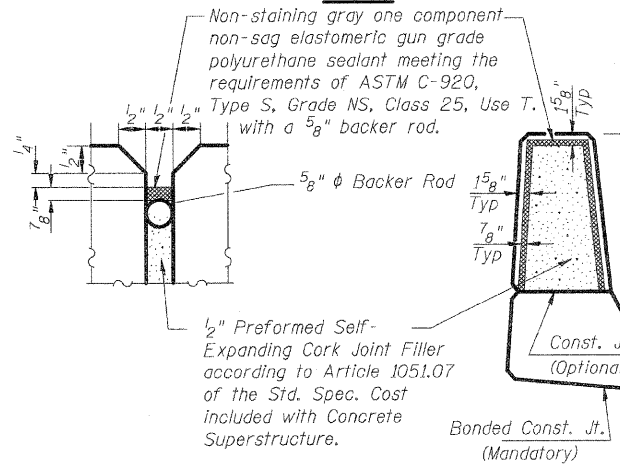
**TOP PLAN**  
 (Showing Aluminum Tube)



**TOP PLAN**

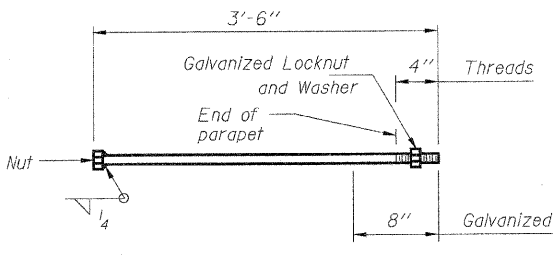


**VIEW B-B**



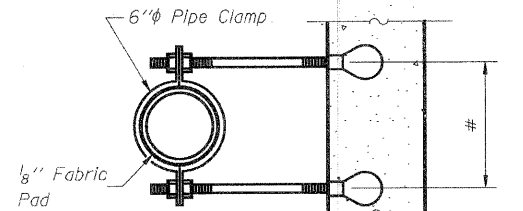
**PARAPET JOINT DETAILS**

Fiberglass pipe shall conform to ASTM D2996, with short-time rupture strength hoop tensile stress of 30,000 p.s.i. minimum.  
 The exterior surfaces of the floor drains shall be coated or pigmented by the manufacturer with a color that matches the concrete.



**1" Ø ANCHOR BOLT**

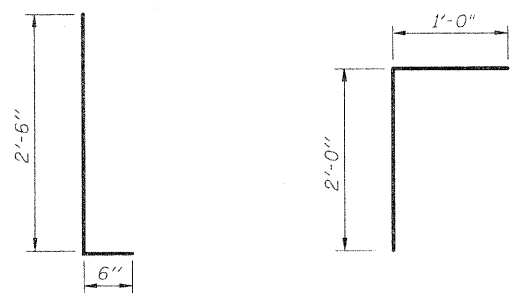
(Cost included with Concrete Superstructure)



**SECTION C-C**

\* Dimension as required by Pipe Clamp

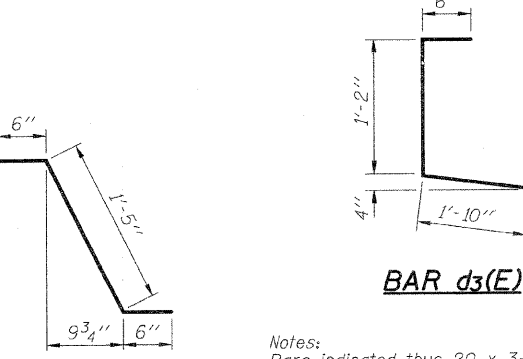
The clamping device and inserts shall be galvanized according to AASHTO M 232.



**BARS d(E) & d2(E)**

**BAR v(E)**

**BAR d4(E)**



**BAR d1(E)**

**BAR d3(E)**

Notes:  
 Bars indicated thus 20 x 3-#5 etc. indicates 20 lines of bars with 3 lengths per line  
 Locate drains to clear permanent bracing.

**SUPERSTRUCTURE BILL OF MATERIAL**

Bar	No.	Size	Length	Shape
a(E)	388	#5	42'-0"	—
a1(E)	302	#5	41'-0"	—
a2(E)	388	#6	6'-0"	—
a3(E)	48	#5	2'-0"	—
b(E)	414	#5	26'-7"	—
b1(E)	328	#5	29'-8"	—
b2(E)	86	#6	48'-4"	—
d(E)	494	#5	3'-0"	—
d1(E)	482	#5	2'-5"	—
d2(E)	494	#4	3'-0"	—
d3(E)	494	#4	3'-6"	—
d4(E)	12	#5	2'-5"	—
e(E)	72	#4	19'-8"	—
e1(E)	24	#4	8'-0"	—
e2(E)	24	#4	10'-11"	—
e3(E)	48	#4	16'-8"	—
e4(E)	16	#5	30'-6"	—
e5(E)	8	#5	8'-0"	—
e6(E)	8	#5	10'-11"	—
e7(E)	8	#5	34'-5"	—
e8(E)	16	#8	31'-4"	—
e9(E)	8	#8	8'-0"	—
e10(E)	8	#8	10'-11"	—
e11(E)	8	#8	35'-4"	—
m(E)	24	#6	11'-0"	—
m1(E)	20	#6	23'-3"	—
m2(E)	30	#6	5'-3"	—
m3(E)	4	#6	1'-10"	—
m4(E)	40	#4	6'-5"	—
m5(E)	8	#8	5'-10"	—
m6(E)	4	#8	3'-8"	—
s(E)	72	#4	11'-8"	—
s1(E)	82	#5	6'-0"	—
s2(E)	60	#4	11'-10"	—
v(E)	84	#5	3'-0"	—
Reinforcement Bars (Epoxy Coated)		Lbs.		75,040
Concrete Superstructure		Cu. Yds.		363.1

**SUPERSTRUCTURE DETAILS SOUTHBOUND LANES**  
 FAP-310  
 SECTION 60-16-1, 42-1  
 JERSEY COUNTY  
 STATION 318+48.66  
 STRUCTURE NO. 042-0026 (S.B.)

DESIGNED	R.K.M.
CHECKED	M.E.B.
DRAWN	D.E.G.
CHECKED	M.E.B.-R.K.M.