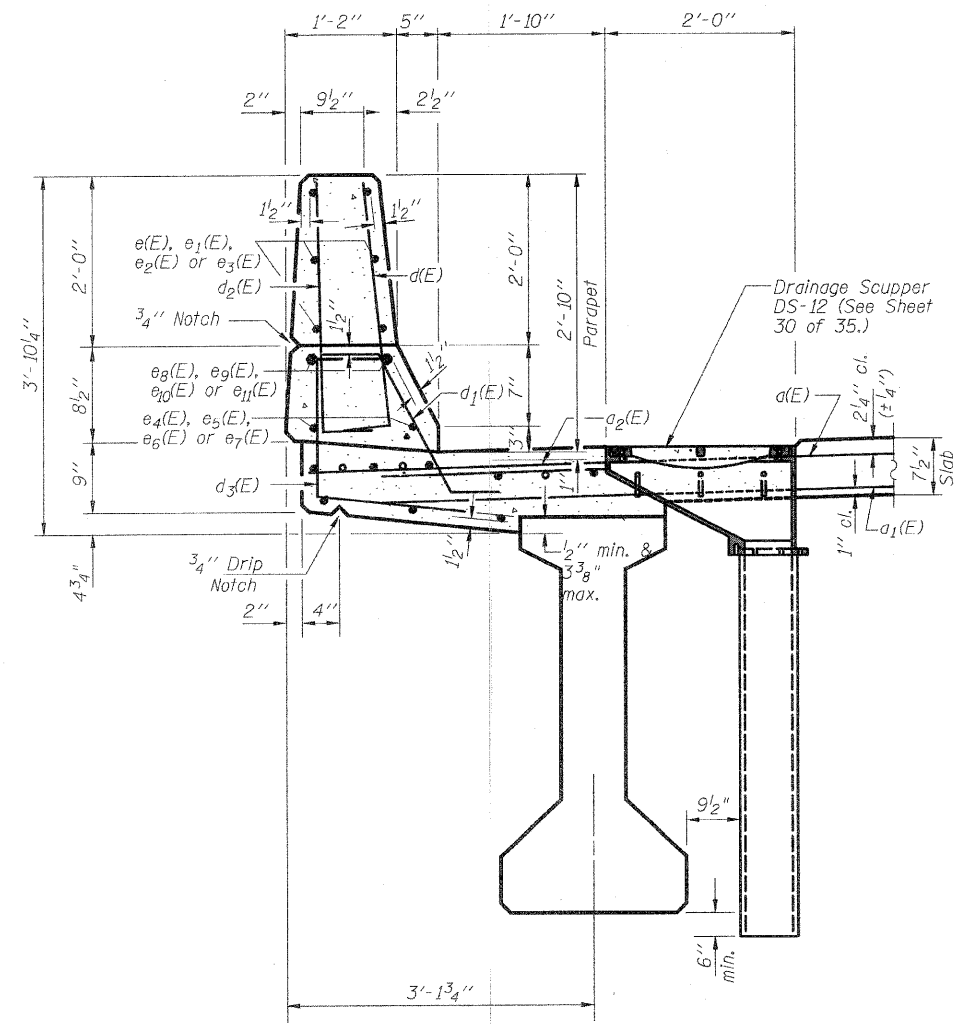
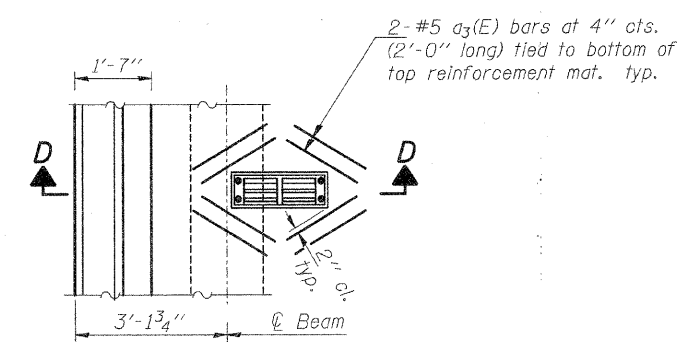


**ABUTMENT DIAPHRAGM ELEVATION**

South Abutment (Looking South)  
 (North Abutment similar by rotation of 180°)

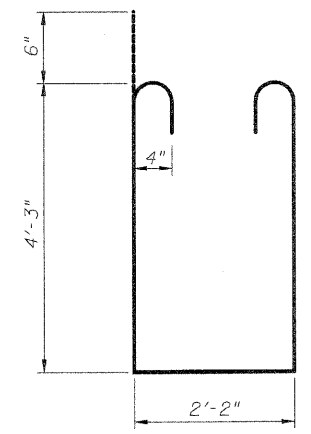


**SECTION THRU PARAPET SECTION D-D**

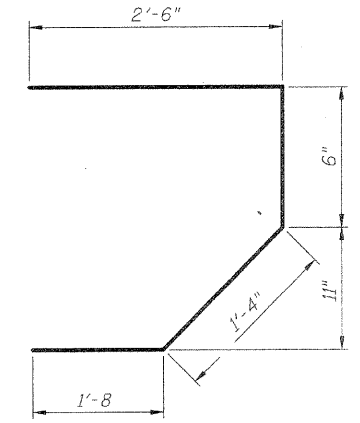


**TOP PLAN**

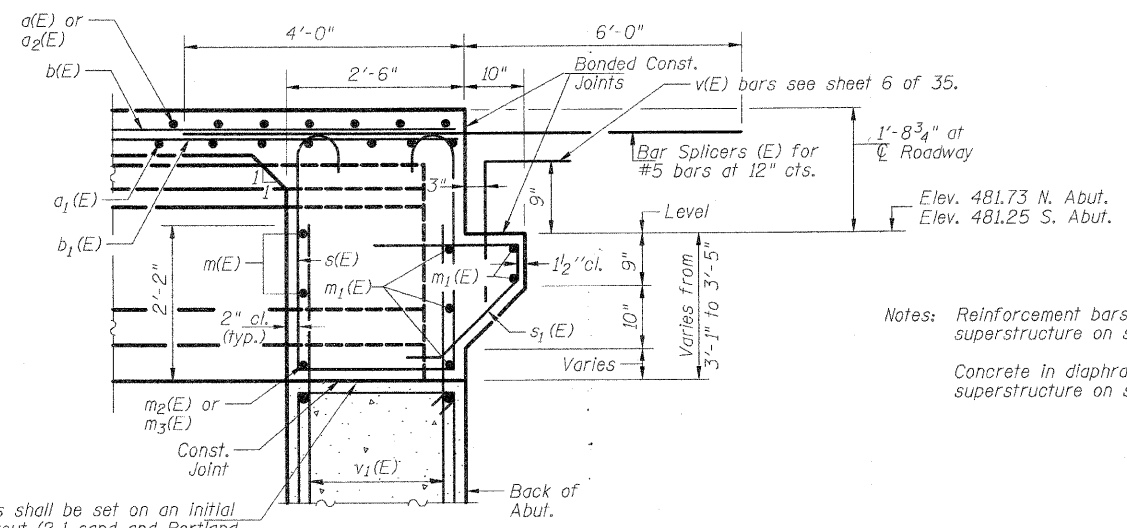
Cut longitudinal reinforcement in field to clear drainage scuppers.



**BAR s(E)**



**BAR s1(E)**



**SECTION A-A**

Beam ends shall be set on an initial 1/2" Min. grout (2:1 sand and Portland Cement, very dry mix) to provide full bearing. Any excess grout squeezed out from under the beam shall be removed. Cost included with Concrete Structures.

Notes: Reinforcement bars in diaphragm are billed with superstructure on sheet 6 of 35. Concrete in diaphragm is included with Concrete superstructure on sheet 6 of 35.

**MIN. BAR LAP**  
 #6 bar = 3'-7"

**ABUTMENT DIAPHRAGM DETAILS SOUTHBOUND LANES**  
**FAP-310**  
**SECTION 61-16-1, 42-1**  
**JERSEY COUNTY**  
**STATION 318+48.66**  
**STRUCTURE NUMBER 042-0026 (S.B.)**

DESIGNED	R.K.M.
CHECKED	M.E.B.
DRAWN	P.W.S.
CHECKED	M.E.B.-R.K.M.