

Notes:

Space reinforcement in cap to miss anchor bolts.  
 Pour steps monolithically with cap.  
 All exposed edges shall have standard 3/4" chamfers.  
 If a portion of the pier wall or concrete encasement is under water, reinforcement may be placed underwater into forms. Concrete shall be tremied according to Article 503.08 of the Standard Specifications to an elevation of 1'-0" above the water line at the time of construction

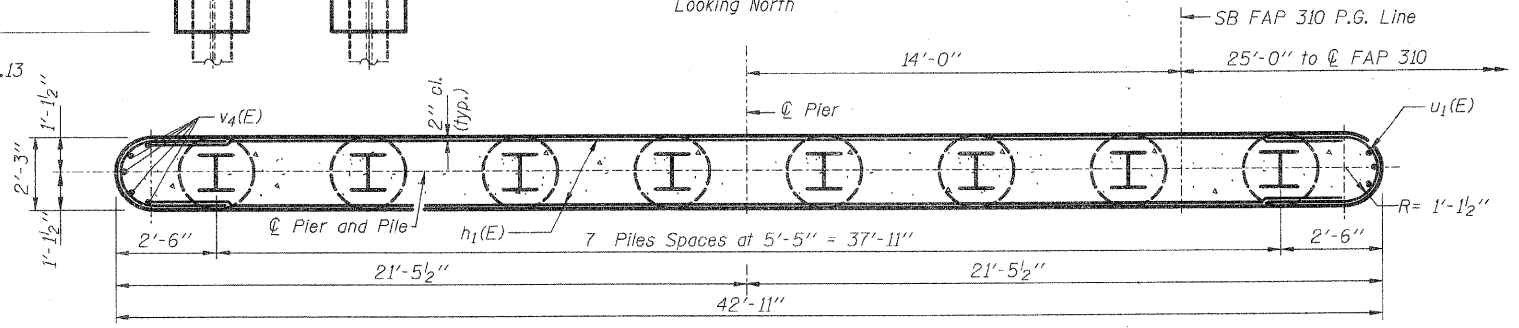
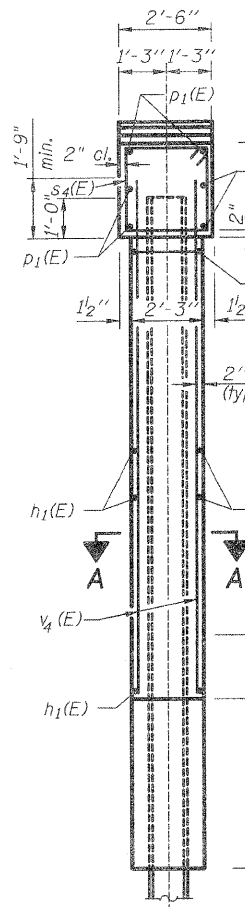
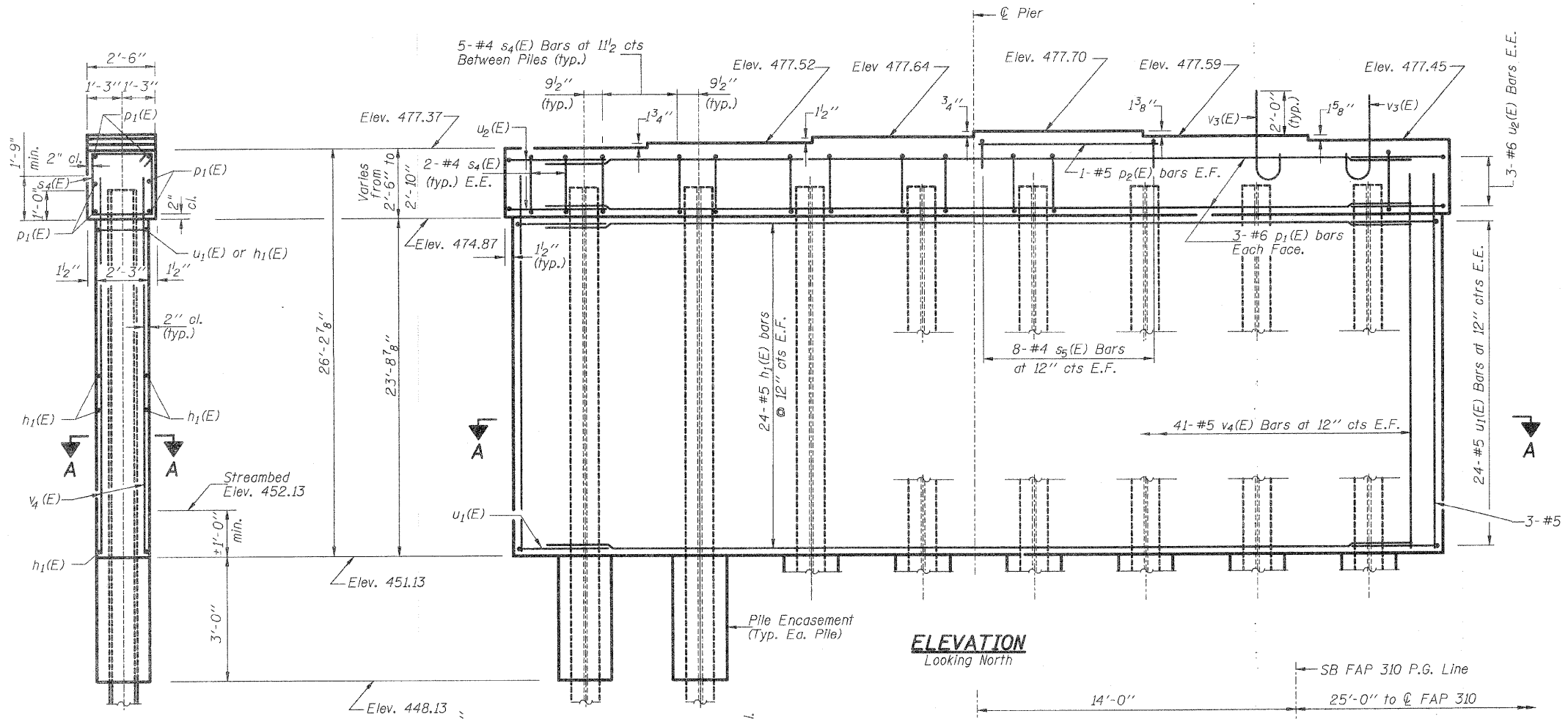
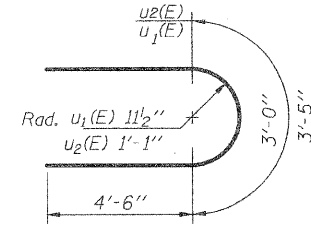
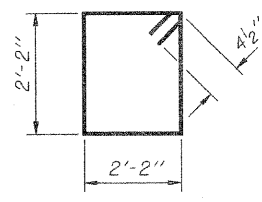
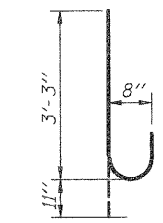
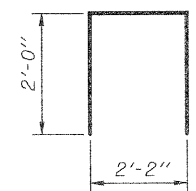
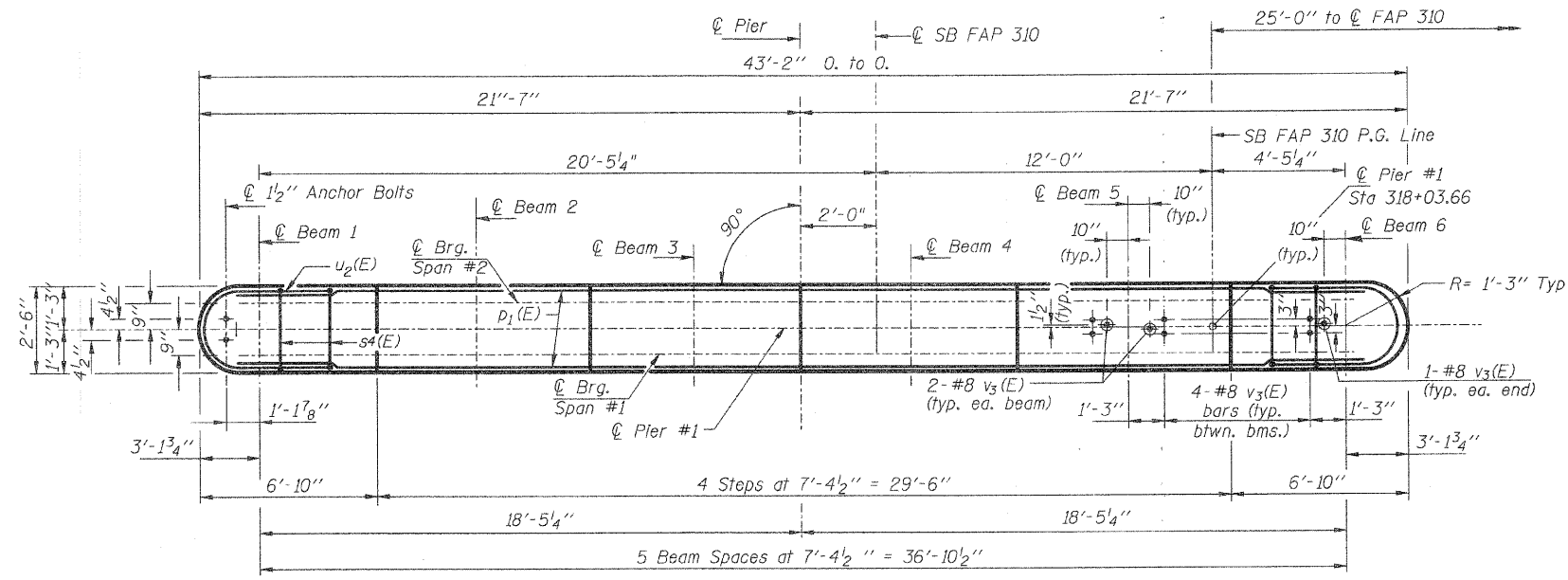
E.F. - Each Face  
 E.E. - Each End

**PILE DATA**

Type: Steel HP 14x89 w/ pile shoes  
 Allowable Resistance Available: 235 kips  
 Nominal Required Bearing: 705 kips  
 Est. Length: 42'  
 No. Req'd: 7 Plus 1 Test Pile

F.A.P. RTE.	SECTION	COUNTY	TOTAL SHEETS	SHEET NO.
310	60-16-1, 42-1	JERSEY	481	198
STA.	TO STA.			
FED. ROAD DIST. NO.	ILLINOIS FED. AID PROJECT			

Sheet 14 of 35 Sheets  
**CONTRACT NO. 76318**



**BILL OF MATERIAL**

Bar	No.	Size	Length	Shape
h1(E)	48	#5	40'-8"	—
p1(E)	6	#6	40'-8"	—
p2(E)	2	#5	7'-0"	—
s4(E)	39	#4	9'-5"	□
s5(E)	8	#4	6'-2"	□
u1(E)	48	#5	12'-0"	U
u2(E)	6	#6	12'-5"	U
v3(E)	30	#8	4'-2"	J
v4(E)	88	#5	25'-7"	—
Concrete Structures			Cu. Yd.	94.5
Reinforcement Bars, Epoxy Coated			Pound	6090
Furnishing Steel Piles HP14x89			Foot	294
Driving Piles			Foot	294
Pile Shoes			Each	8
Test Pile Steel HP14x89			Each	1
Underwater Struc. Excav. Protection, Loc. No. 1			Each	1
Structure Excavation			Cu. Yd.	118.5
Concrete Encasement			Cu. Yd.	4.4

**PIER # 1**  
**SOUTHBOUND LANES**  
**FAP-310**  
**SECTION 60-16-1, 42-1**  
**JERSEY COUNTY**  
**STATION 318+48.66**  
**STRUCTURE NO. 042-0026 (S.B.)**

DESIGNED	M.E.B.
CHECKED	R.K.M.
DRAWN	P.W.S.
CHECKED	M.E.B.-R.K.M.

**HR**  
 HURST-ROSCHKE ENGINEERS, INC.  
 601 NORTH BRUNS LANE  
 SPRINGFIELD, IL 62702  
 (217)-787-1199  
 FAX (217)-793-1199