

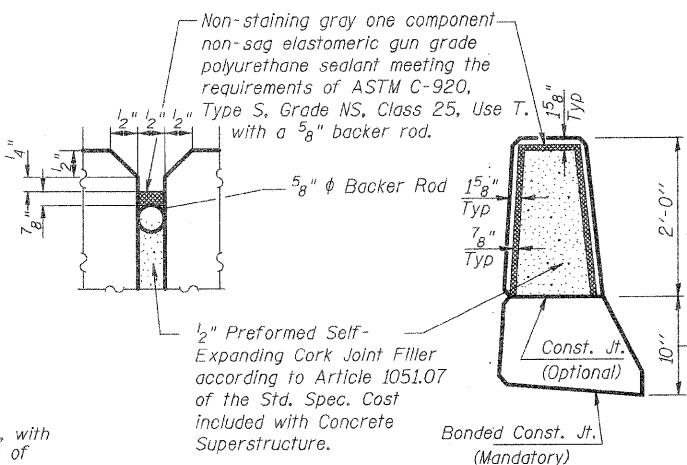
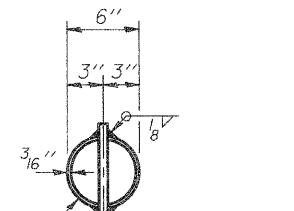
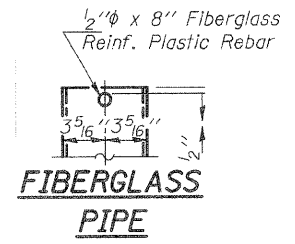
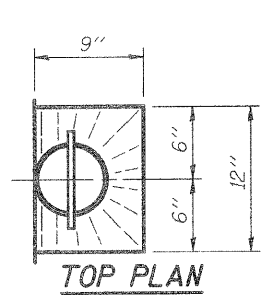
INSIDE ELEVATION OF PARAPET
 West Parapet (Looking West)
 East Parapet similar by rotation of 180°

MIN. BAR LAP

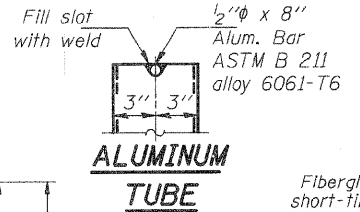
- #4 = 1'-4"
- #5 = 1'-8"
- #6 = 2'-0"
- #8 = 3'-5"

SUPERSTRUCTURE BILL OF MATERIAL

Bar	No.	Size	Length	Shape
a2(E)	362	#6	6'-0"	—
a3(E)	48	#5	2'-0"	—
a4(E)	634	#5	25'-1"	—
a5(E)	634	#5	29'-1"	—
b(E)	504	#5	26'-7"	—
b1(E)	384	#5	29'-8"	—
b2(E)	106	#6	48'-4"	—
d(E)	494	#5	3'-0"	—
d1(E)	482	#5	2'-5"	—
d2(E)	494	#4	3'-0"	—
d4(E)	12	#5	2'-5"	—
d5(E)	494	#4	3'-6"	—
e(E)	72	#4	19'-8"	—
e1(E)	24	#4	8'-0"	—
e2(E)	24	#4	10'-11"	—
e3(E)	48	#4	16'-8"	—
e4(E)	16	#5	30'-6"	—
e5(E)	8	#5	8'-0"	—
e6(E)	8	#5	10'-11"	—
e7(E)	8	#5	34'-5"	—
e8(E)	16	#8	31'-4"	—
e9(E)	8	#8	8'-0"	—
e10(E)	8	#8	10'-11"	—
e11(E)	8	#8	35'-4"	—
m3(E)	4	#6	1'-10"	—
m5(E)	12	#8	5'-10"	—
m6(E)	4	#8	3'-8"	—
m7(E)	32	#6	10'-4"	—
m8(E)	20	#6	28'-3"	—
m9(E)	42	#6	4'-6"	—
m10(E)	56	#4	5'-9"	—
s(E)	96	#4	11'-8"	—
s1(E)	96	#5	6'-0"	—
s2(E)	70	#4	11'-10"	—
v(E)	104	#5	3'-0"	—
Reinforcement Bars (Epoxy Coated)		Lbs.	84,990	
Concrete Superstructure		Cu. Yds.	435.9	



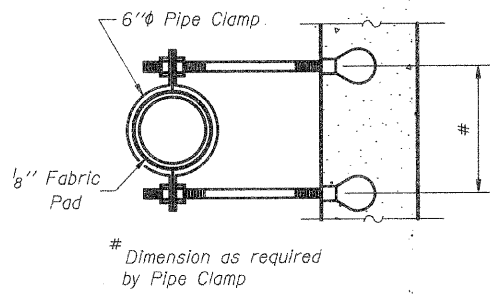
Const. Jts. at Piers
 1/8" Aluminum sheet ASTM B 209 alloy 3003-H14 coated to minimize reaction with wet concrete. Cost included with Concrete Superstructure



Fiberglass pipe shall conform to ASTM D2996, with short-time rupture strength hoop tensile stress of 30,000 p.s.i. minimum.

The exterior surfaces of the floor drains shall be coated or pigmented by the manufacturer with a color that matches the concrete.

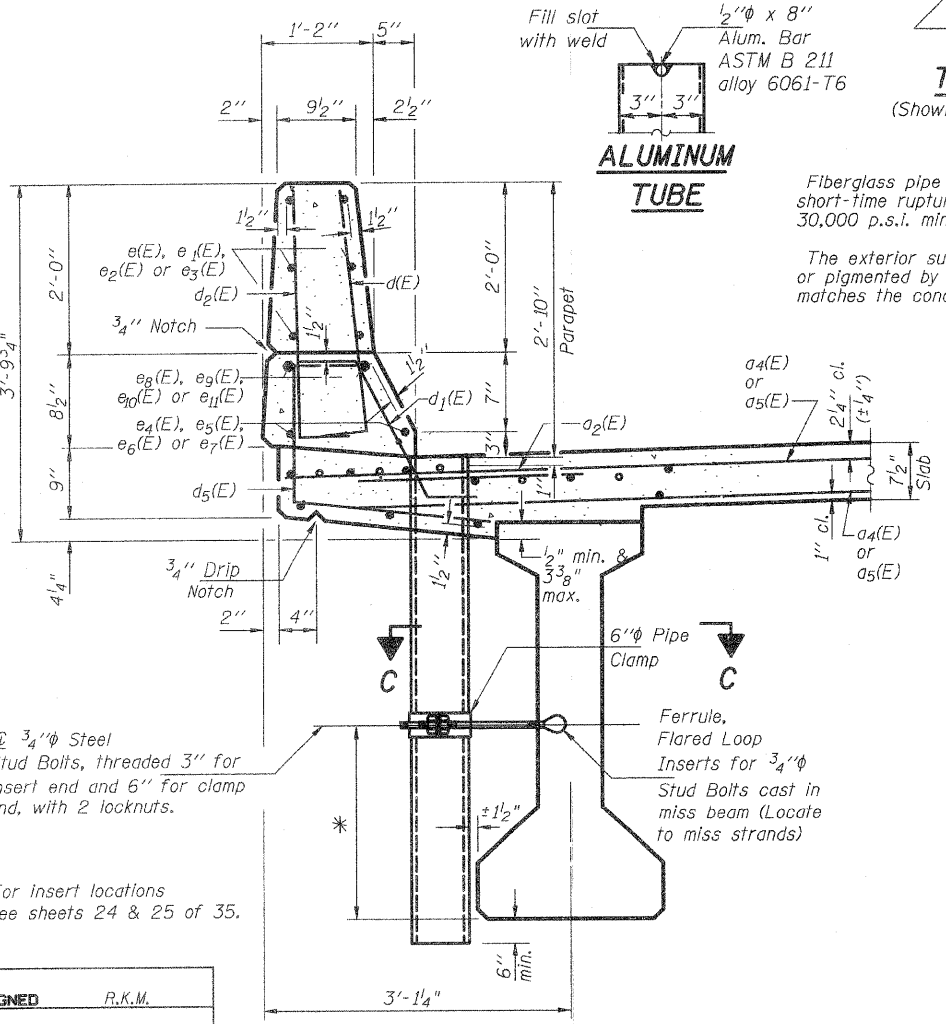
PARAPET JOINT DETAILS



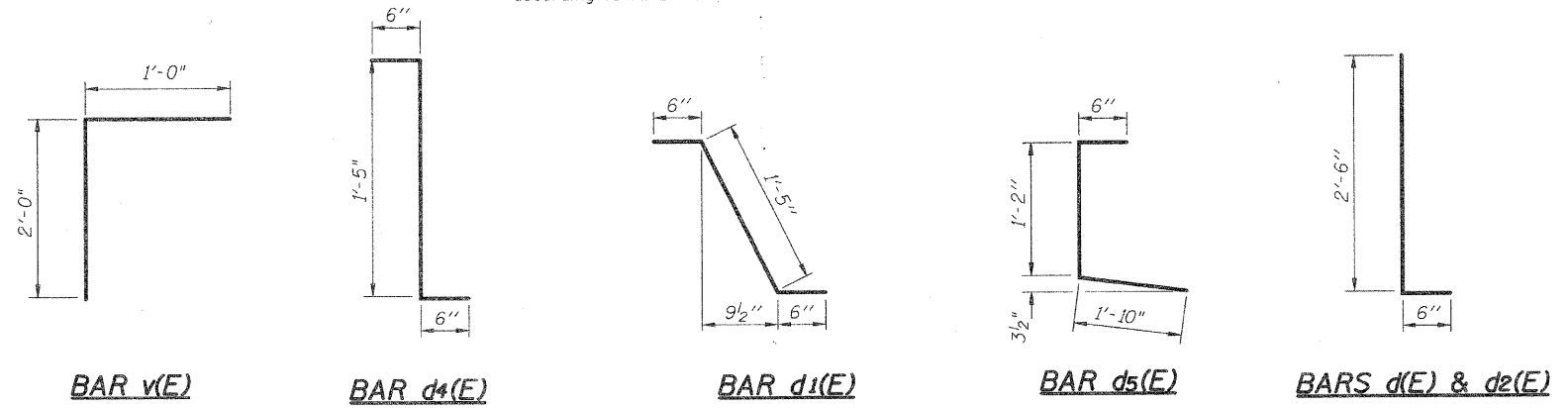
Dimension as required by Pipe Clamp

SECTION C-C

The clamping device and inserts shall be galvanized according to AASHTO M 232.



SECTION THRU PARAPET



Note:
 Bars indicated thus 20 x 3-#5 etc. indicates 20 lines of bars with 3 lengths per line.
 Locate drains to clear permanent bracing.

* For insert locations See sheets 24 & 25 of 35.

DESIGNED	R.K.M.
CHECKED	M.E.B.
DRAWN	P.W.S.
CHECKED	M.E.B.-R.K.M.

SUPERSTRUCTURE DETAILS
 NORTHBOUND LANES
 FAP-310
 SECTION 60-16-1, 42-1
 JERSEY COUNTY
 STATION 318+48.66
 STRUCTURE NO. 042-0027 (N.B.)