

**NOTES**

All inserts and threaded dowel rods for inserts, reinforcing and Prestressing Steel, and other items which are cast into the Precast Concrete I-Beams shall be included in the contract unit price per foot of "Furnishing and Erecting Precast Prestressed Concrete I-Beams, 48 in."

Inserts for 3/4" φ threaded dowel rods, when specified, are to be two strut, ferrule type for interior beams and single ferrule, flared loop type for exterior beams.

Prestressing steel shall be uncoated high strength, low relaxation 7-wire strand, Grade 270. The nominal diameter shall be 1/2" and the nominal cross-sectional area shall be 0.153 sq. in.

Reinforcement bars shall conform to ASTM A 706, Grade 60.

A minimum 2 1/2" φ lifting pin shall be used to engage the lifting loops during handling.

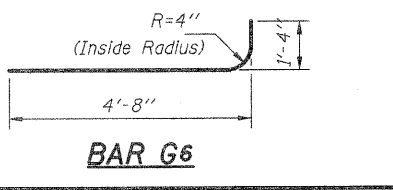
Tilt G bars when necessary to maintain 1/2" clearance.

The top and bottom plates shall be AASHTO M270 Grade 50.

The bottom plates and studs shall be galvanized according to AASHTO M111.

Threaded rods shall be ASTM F 1554 Grade 55.

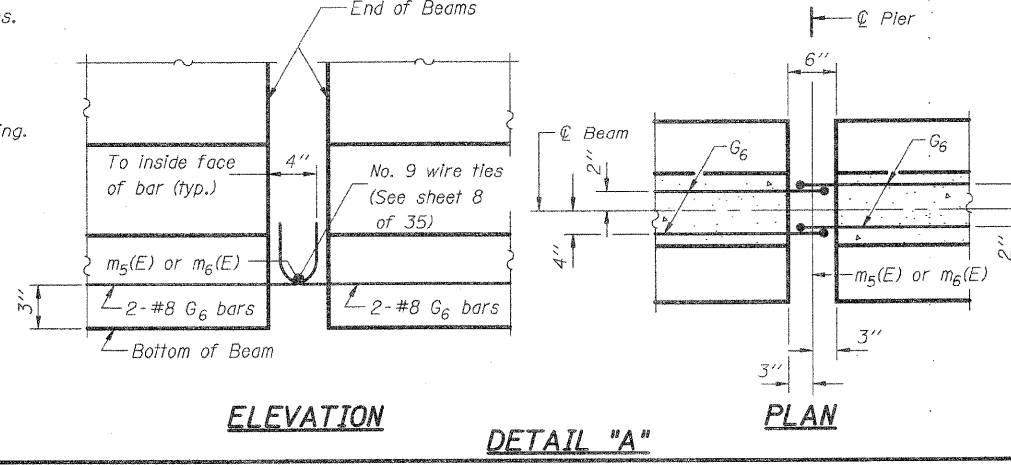
Required release strength, f'ci, shall be 5000 psi.



**BILL OF MATERIAL**

Item	Unit	Total
Furnishing and Erecting Precast Prestressed Concrete I-Beams, 48"	Ft.	1071

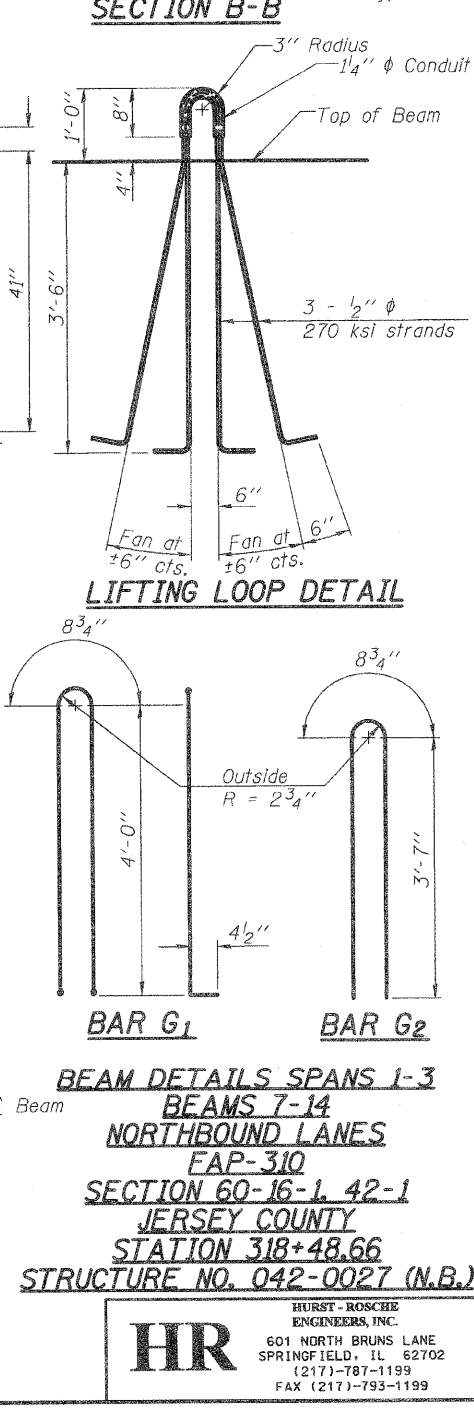
DESIGNED	R.K.M.
CHECKED	M.E.B.
DRAWN	P.W.S.
CHECKED	M.E.B.-R.K.M.



\* **BAR LIST**

Bar	No.	Size	Length	Shape
G <sub>1</sub>	61	#4	9'-6"	nl
G <sub>2</sub>	12	#4	7'-11"	n
G <sub>3</sub>	12	#7	24'-6"	-
G <sub>4</sub>	38	#3	5'-3"	-
G <sub>5</sub>	67	#3	2'-9"	U
G <sub>6</sub>	2	#8	6'-0"	J

\* For one beam only.



**HR**  
HURST-ROSCHKE ENGINEERS, INC.  
601 NORTH BRUNS LANE  
SPRINGFIELD, IL 62702  
(217)-787-1199  
FAX (217)-793-1199