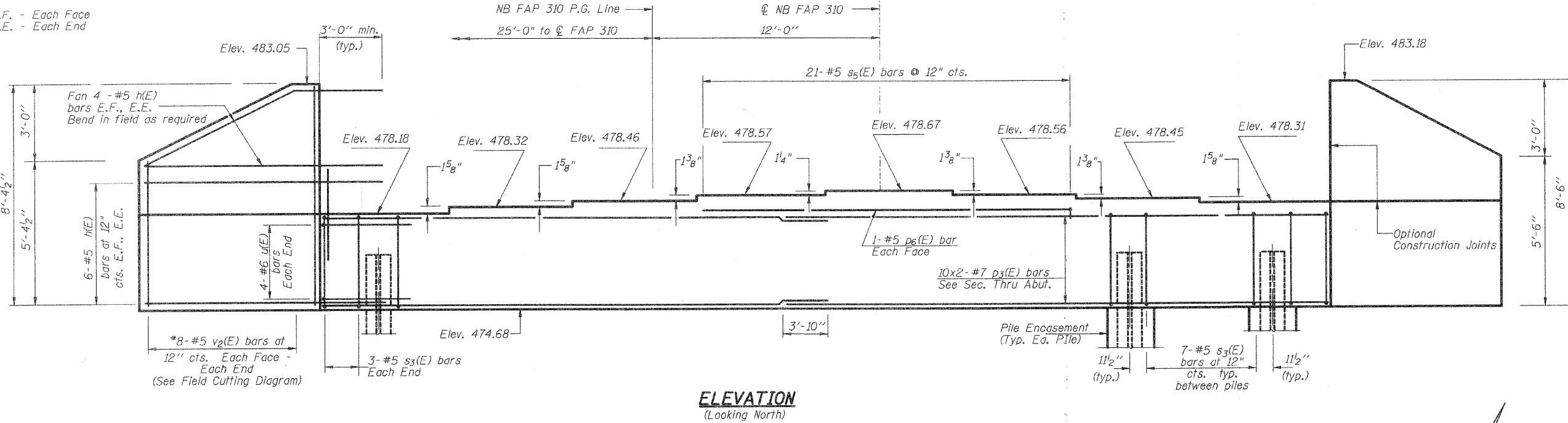
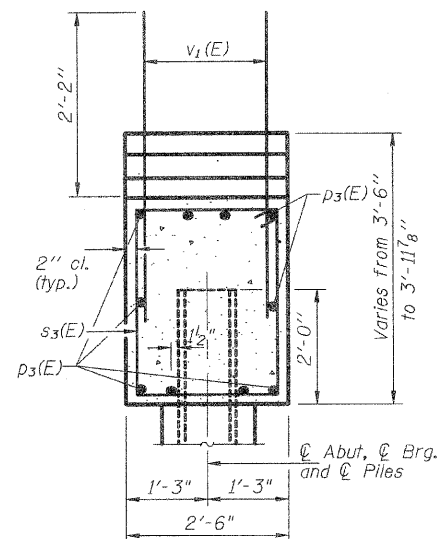


E.F. - Each Face
E.E. - Each End

Sheet 27 of 35 Sheets
CONTRACT NO. 76318



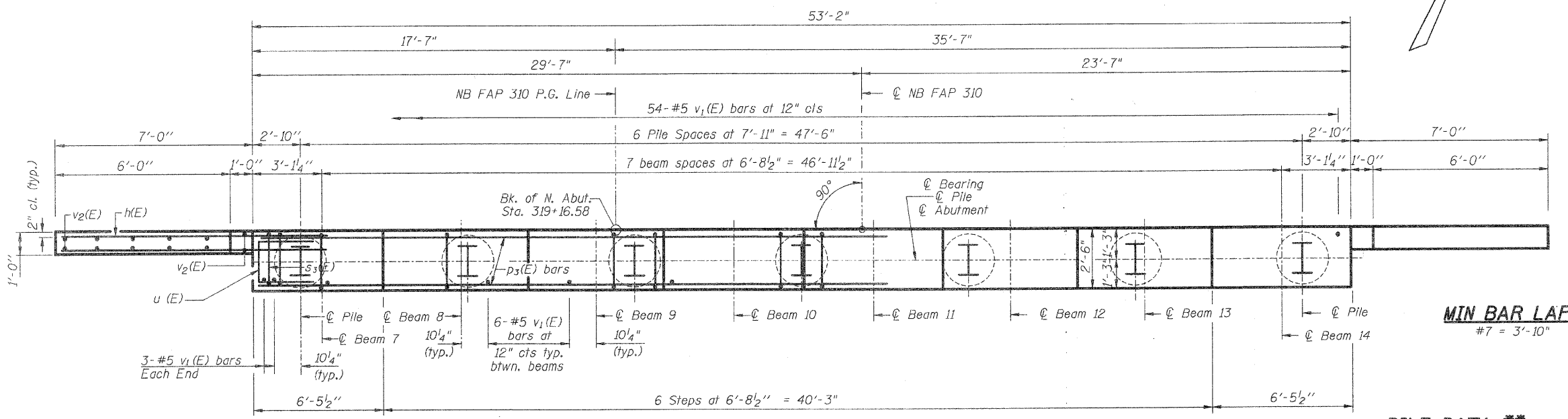
ELEVATION
(Looking North)



SEC. THRU ABUT.

BILL OF MATERIAL

Bar	No.	Size	Length	Shape
h(E)	40	#5	10'-0"	—
p3(E)	20	#7	28'-6"	—
p6(E)	2	#5	19'-9"	—
s3(E)	48	#5	11'-7"	□
s5(E)	21	#5	6'-2"	□
u(E)	8	#6	11'-0"	—
v1(E)	102	#5	4'-4"	—
v2(E)	16	#5	13'-2"	—
Furnishing Steel Piles		HP 12x53	Foot	288
Driving Piles		HP 12x53	Foot	288
Pile Shoes			Each	7
Test Pile Steel		HP 12x53	Each	1
Concrete Structures			Cu. Yd.	22.2
Reinforcement Bars, Epoxy Coated			Pound	3160
Structure Excavation			Cu. Yd.	115.0
Concrete Encasement			Cu. Yd.	2.4



PLAN

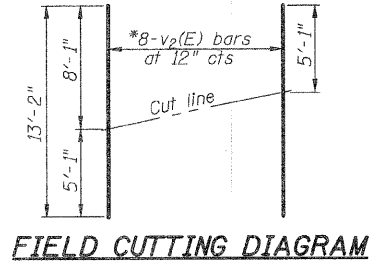
MIN BAR LAP
#7 = 3'-10"

PILE DATA **

Type: Steel HP 12x53 with pile shoes.
Allowable Resistance Available: 139 kips
Nominal Required Bearing: 419 kips
Estimated Length: 48'
No. Required: 6 plus
1 Test Pile

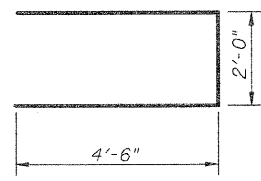
** The subsurface data near the (NB) N. Abutment indicate the driven pile lengths may vary from 48' (on the East) to 36' (on the West). The test pile shall be located and the pile lengths ordered considering this possibility.

NORTH ABUTMENT
NORTHBOUND LANES
FAP-310
SECTION 60-16-1, 42-1
JERSEY COUNTY
STATION 318+48.66
STRUCTURE NO. 042-0027 (N.B.)

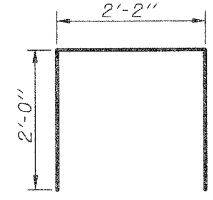


FIELD CUTTING DIAGRAM

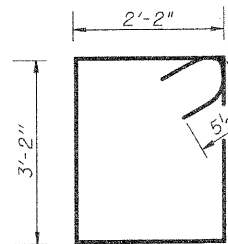
* Order v2(E) bars full length.
Cut to fit and use the remainder of bars in opposite face.



BAR u(E)



BAR s5(E)



BAR s3(E)

Notes:

Four steps monolithically with cap.
All Edges shall have standard 3/4" Chamfers except as Noted.
Bars indicated thus 20 x 3-#5 etc. indicates 20 lines of bars with 3 lengths per line.

DESIGNED	M.E.B.
CHECKED	R.K.M.
DRAWN	P.W.S.
CHECKED	M.E.B.-R.K.M.

HR
HURST-ROSCHKE ENGINEERS, INC.
601 NORTH BRUNS LANE
SPRINGFIELD, IL 62702
(217)-787-1199
FAX (217)-793-1199