

CONTROLLER #1		
MESSAGE AREA		
A	B	C
B2	250	480
B3	250	480
B4	250	480
B5	250	480
D1	400	480
D2	250	480
F1	400	480
F2	400	480
F3	250	480
F4	250	480
F5	250	480
R1	250	480
R2	250	480
R3	250	480
R4	250	480
R5	250	480
R6	250	480
R7	250	480
C3	250	480
C4	250	480
C5	400	480
C6	250	480
C7	250	480
E1	250	480
E2	250	480

CONTROLLER #3		
MESSAGE AREA		
A	B	C
A5	250	480
A6	250	480
A7	250	480
A8	400	480
A9	400	480
A10	400	480
A11	400	480
A12	400	480
A13	400	480
A14	400	480
A15	400	480
A16	400	480
E3	250	480
E4	250	480
E5	400	480
A1	400	480
A2	400	480
A3	400	480
A4	250	480
B1	250	480
C8	400	480
C9	400	480
C10	400	480

CONTROLLER #4		
MESSAGE AREA		
A	B	C
B1	250	480
B2	250	480
B3	250	480
B4	250	480
D1	400	480
D2	400	480
C1	400	480
C2	250	480
C3	250	480
C4	250	480
C5	250	480
D3	400	480
D4	250	480
X7	400	480
X8	400	480
X9	400	480
X10	400	480
X11	400	480
X12	400	480
X13	400	480

CONTROLLER #5		
MESSAGE AREA		
A	B	C
A1	400	480
A2	400	480
A3	400	480
X1	250	480
X2	400	480
X3	400	480
X4	400	480
X5	250	480
X6	250	480

CONTROLLER #6 (1 OF 2)		
MESSAGE AREA		
A	B	C
A4	400	480
A5	400	480
A6	250	480
E1	400	480
E2	400	480
E3	400	480
E4	250	480
F1	400	480
F2	400	480
F3	400	480
F4	400	480
A1	400	480
A2	400	480
A3	400	480
G1	250	480
G2	250	480
G3	400	480
G4	250	480
G5	250	480
M1 A&B	310/310	480
M2 A&B	400/310	480
M3 A&B	400/310	480
M4 A&B	310/310	480
M5 A&B	310/310	480
M6 A&B	310/310	480

CONTROLLER #6 (2 OF 2)		
MESSAGE AREA		
A	B	C
M7 A&B	310/310	480
M8 A&B	310/310	480
M9 A&B	310/310	480
M10 A&B	310/310	480
M11 A&B	310/310	480
M12 A&B	310/310	480
M13 A&B	310/310	480

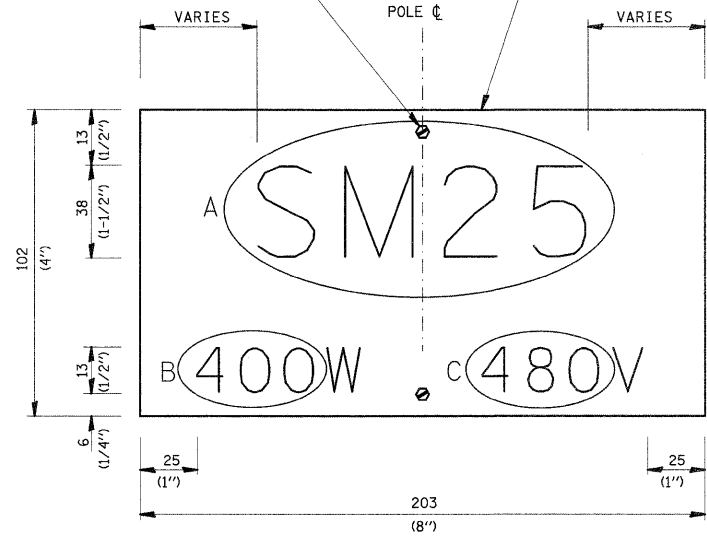
CONTROLLER #7		
MESSAGE AREA		
A	B	C
M14 A&B	310/310	480
M15 A&B	310/310	480
M16 A&B	310/310	480
M17 A&B	310/310	480
M18 A&B	310/310	480
M19 A&B	310/310	480
M20 A&B	310/310	480
M21 A&B	310/310	480
M22 A&B	310/310	480
M23 A&B	310/310	480
M24 A&B	310/310	480
M25 A&B	310/310	480
M26 A&B	310/310	480
M27 A&B	310/310	480
M28 A&B	310/310	480
M29 A&B	310/310	480
M30 A&B	310/310	480
M31 A&B	310/310	480
M32 A&B	310/310	480
M33 A&B	310/310	480

CONTROLLER #8 (1 OF 2)		
MESSAGE AREA		
A	B	C
X1	250	480
X2	250	480
X3	250	480
X4	250	480
X5	250	480
X6	250	480
X7	250	480
X8	250	480
X9	250	480
X10	250	480
X11	250	480
X12	250	480
X13	250	480
X14	250	480
X15	250	480
A1	250	480
A2	250	480
A3	250	480
A4	250	480
A5	250	480
A6	250	480
C1	250	480
C2	250	480
C3	250	480
C4	250	480

CONTROLLER #8 (2 OF 2)		
MESSAGE AREA		
A	B	C
C5	250	480
C6	400	480
X16	400	480

19 (3/4") STAINLESS STEEL SELF-TAPPING SCREWS WITH 5 STAINLESS STEEL SPACERS BEHIND PANEL. HOLES FOR MOUNTING SHALL BE DRILLED ON POLE & ONLY (2-SCREWS PER PANEL).

19 GA FINISH ALUMINUM PLATE. MATTE



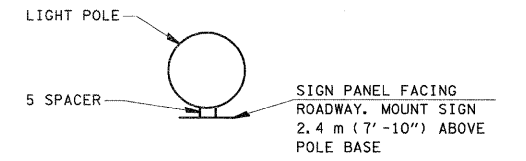
TYPICAL POLE IDENTIFICATION PANEL

SIGN PANEL DETAIL

NOTE: ALL LETTERS AND NUMERALS SHALL BE SERIES C GOTHIC, NON-REFLECTIVE WHITE PREMIUM QUALITY ENAMEL.

SIGN INFORMATION SHALL BE IN ACCORDANCE WITH LIGHT POLE NUMBERING & WATTAGES SHOWN IN THE SCHEDULE.

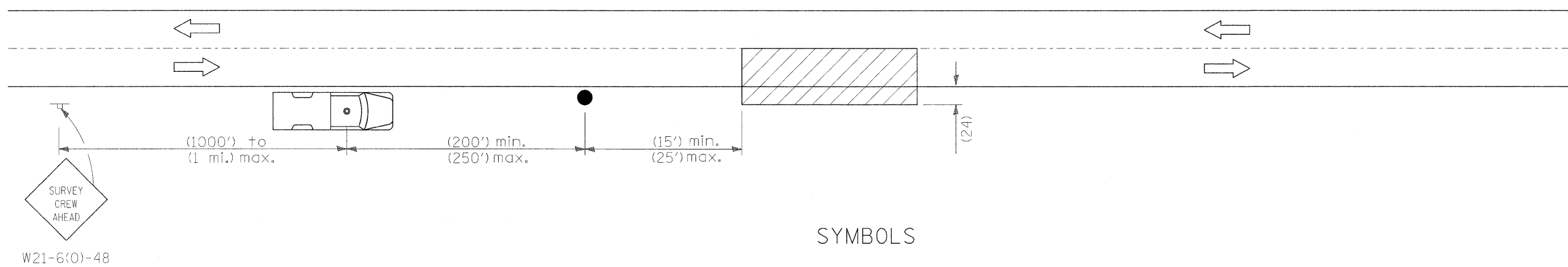
ON BRIDGE PARAPET MOUNTED POLES, MOUNT ONE SIGN PANEL FACING ROADWAY 610 (2 FT) ABOVE POLE BASE.



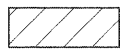
ROADWAY

SIGN PANEL MOUNTING DETAIL

(MOUNT 300 (1 FT) FROM TOP OF PIER OR BEARING PAD FOR UNDERPASS LIGHTING)

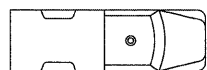


SYMBOLS



Work area

▬ Sign on portable or permanent support



Truck with flashing amber light and dual emergency flashers

● Flagger with traffic control sign

TYPICAL APPLICATIONS

Utility operations

All dimensions are in inches, unless otherwise shown.

FILE NAME =	USER NAME = prestonme	DESIGNED -	REVISED -	STATE OF ILLINOIS DEPARTMENT OF TRANSPORTATION	SIGN PANEL DETAILS 1 OF 3 & DETAIL FOR NIGHTTIME LIGHTING INSPECTION	F.A.J. RTE.	SECTION	COUNTY	TOTAL SHEETS	SHEET NO.	
ca:\pw\work\p\ridot\prestonme\dme65337\d876c09-sh1-light.dgn	PLOT SCALE = 50.0000' / IN.	DRAWN -	REVISED -			255	DIST. 8 LIGHT POLE 2009-1		146	39	
	PLOT DATE = 6/25/2010	CHECKED -	REVISED -			CONTRACT NO. 76C09					
		DATE -	REVISED -			FED. ROAD DIST. NO. ILLINOIS FED. AID PROJECT					